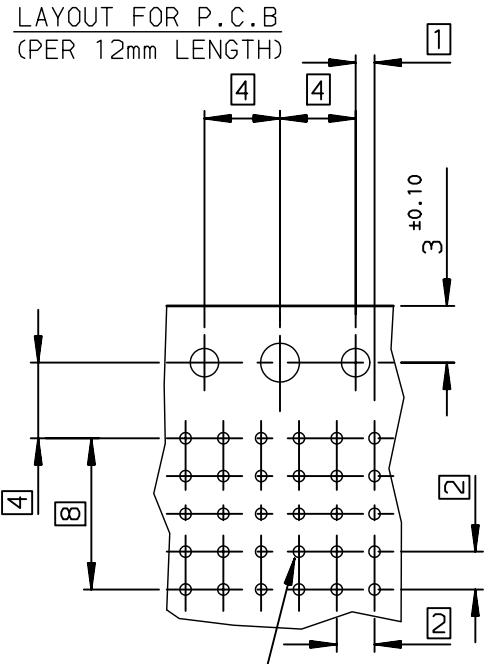
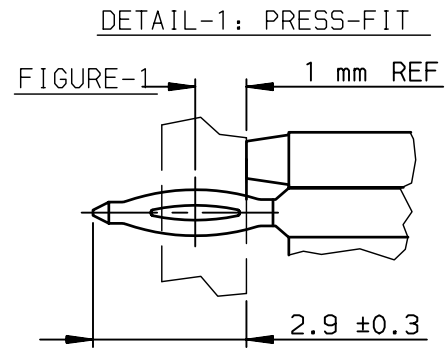
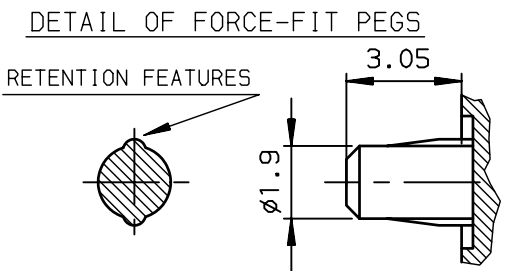


TABLE-1

CONTACT CODE	QTE	
	DIM-P	
01	5.00	048
02	5.75	009
03	6.50	003
04	7.25	
19	8.00	
NO CONTACT		

	1	2	3	4	5	6	7	8	9	10	11	12
E	01	01	01	01	01	01	01	01	01	01	01	01
D	01	01	01	01	01	01	01	01	01	01	01	01
C	01	01	01	01	01	01	01	01	01	01	01	01
B	01	01	01	01	01	01	01	01	01	01	01	01
A	03	03	03	02	02	02	02	02	02	02	02	02



SPECIFIC DATAS: CONTACT LOADING
SEE TABLE-1 AND FIGURE-1

- NOTE-2: FLAT ROCK INSERTION TOOLING, ON ALL THIS SURFACE
- NOTE-3: EYE OF THE NEEDLE PRESS FIT PIN TYPE
- NOTE-4: REAR CENTRAL SUPPORT FOR BETTER ASSY ON PCB
- NOTE-5: IF SUFFIX "P" IS ADDED IN P/N PACKAGING IS IN TRAYS BUT CONNECTOR MARKING IS WITHOUT "P"
EXAMPLE: HM1XXXXXXXXXH6P, MARKED HM1XXXXXXXXXH6

rev	ecn no	dr	date
C	-	MAS	2000/09/01
D	LS05-004	MLE	2005/02/21
E	LS05-0056	LGO	2005/06/27
F	LS06-0097	LGO	2006/07/21
G	LS07-0184	MLE	2007/07/26
-	-	-	-
-	-	-	-

GENERAL CHARACTERISTICS AND ROHS INFORMATIONS:
SEE PRODUCT SPECIFICATION GS-12-445

TIN LEAD PART NUMBER
Part Number: HM1L52ZDP411H6P

LEAD FREE PART NUMBER
Part Number: HM1L52ZDP411H6PLF

European Views

www.fciconnect.com	surface ISO 1302 ✓	tolerance std ISO 406 ISO 1101	projection mm
TOLERANCES UNLESS OTHERWISE SPECIFIED			size A3
Dr CHAMPION 21/12/26	ANGULAR	0.X ± 0.1	Scale 2.5
Eng LENOIR 2000/07/21	LINEAR	0.XX ± 0.1	ECN LS07-0184
Chr LEGARE 2000/07/21	0.XX' ± 2'	0.XXX ± 0.1	Spec ref -
Appr LEGARE 2000/07/21	Product family	METRAL	

title METRAL RA HEADER 5 ROW
60 WAY SPECIFIC LOADING

dwg no C-8626-11078 Rev. G

catalog no - CUSTOMER sheet 1 of 1

Copyright FCI. FCI

Hole according to product spec
GS-12-445 (for press-fit),
GS-12-446 (for STB)