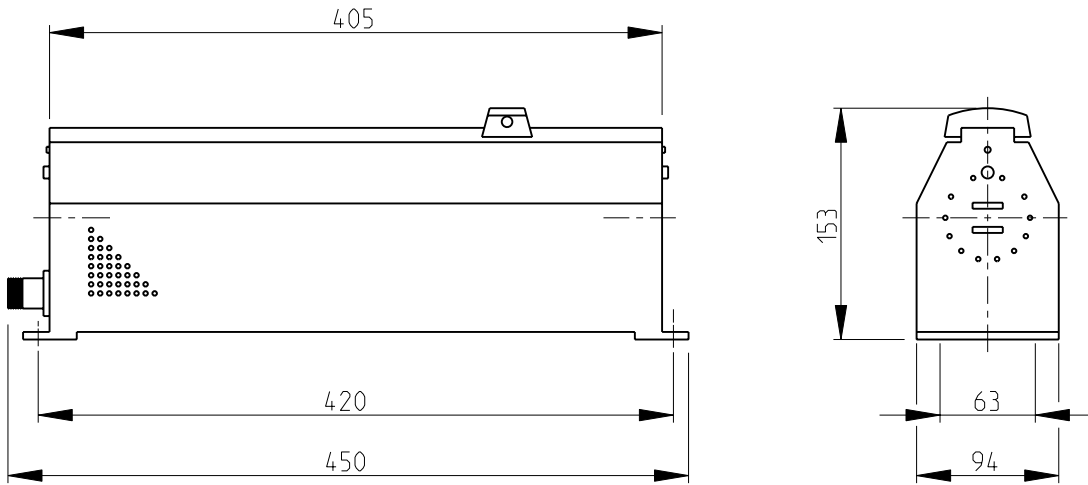
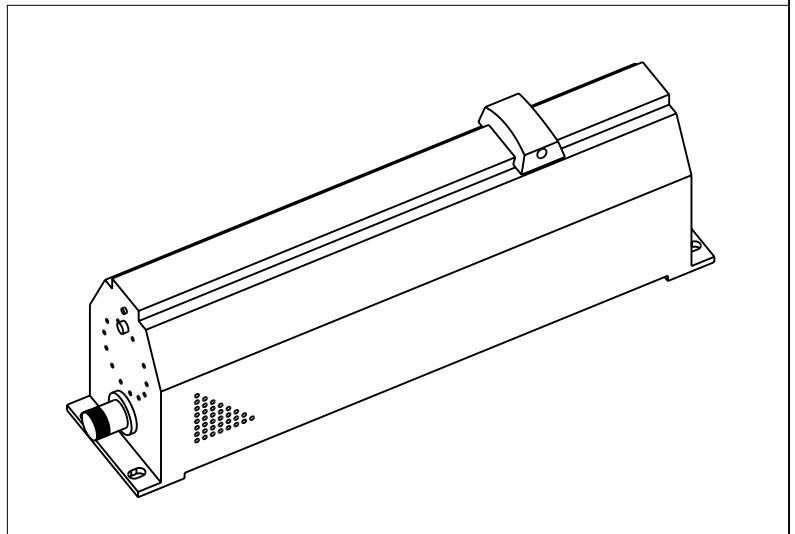


LOC	DIST	REVISIONS			
P	LTR	DESCRIPTION	DATE	DWN	APVD
E	B	A1	REVISED PER ECO-11-005150	29MAR2011	RK HMR

FOR FURTHER INFORMATION SEE DATA SHEET FOR BFA SERIES-HIGH POWER RESISTORS



RoHS Compliant



2008


RELEASED FOR PUBLICATION

ALL RIGHTS RESERVED.

THIS DRAWING IS UNPUBLISHED.

BY -

© COPYRIGHT 2008

DIMENSIONS: mm	DWN	17-NOV-08	MATERIAL	-	FINISH	-
	CHK	17-NOV-08	 TE Connectivity			
TOLERANCES UNLESS OTHERWISE SPECIFIED:	APVD	17-NOV-08				
	0 PLC ±0.5	PRODUCT SPEC	SIZE	CAGE CODE	DRAWING NO	RESTRICTED TO
1 PLC ±0.2	-	APPLICATION SPEC	A 4	00779	©-1625807	-
2 PLC ±0.1	-	-	WEIGHT	-	-	-
3 PLC ±	-	-	CUSTOMER DRAWING			
4 PLC ±	-	-	SCALE	1:5	SHEET 1 OF 1	REV A1
ANGLES ±5°	