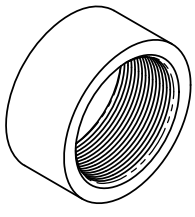


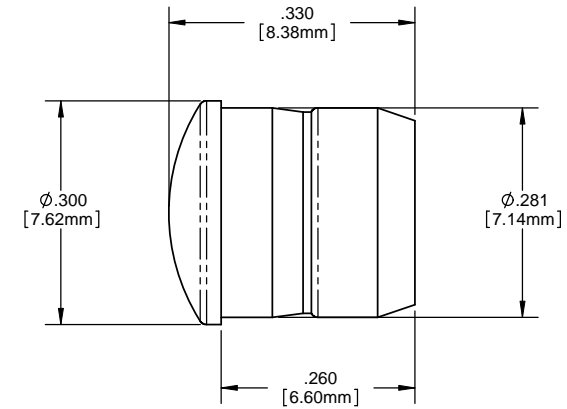
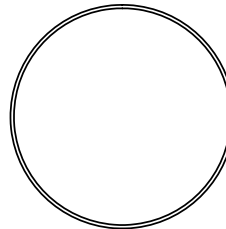
- NOTES:
1. MOUNTING: Mounts in a  $\phi .281 \pm .002$  [ $\phi 7.13\text{mm} \pm .05$ ] panel hole on  $.375$  [9.5mm] centers. Panel thickness  $.031$  [0.8mm] to  $.250$  [6.35mm]. Panel hole should be deburred, but not chamfered.
  2. ASSEMBLY: Insert lens through panel hole, slide RNG 268 retainer on back of lens. PCB mounted LEDs slide into lens when the panel cover is closed or the PCB card is inserted into the case.
  3. MATERIAL: Polycarbonate, UL 94-V2
  4. U.S. & Foreign Pat. Issued & Pend.

REVISIONS				
ECN#	REV.	DESCRIPTION	DATE	INITIALS
	001	REVISED PER ECR111009AZ01	4-23-10	SMU

RETAINER  
(ORDER SEPARATELY)



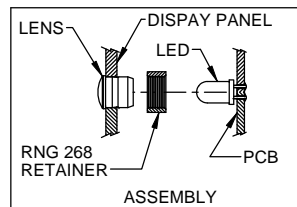
RNG 268



ORDERING CODE : **CMC 321 XXX**

MODEL

LENS COLOR	
RTP	RED TRANSPARENT
ATP	AMBER TRANSPARENT
GTP	GREEN TRANSPARENT
BTP	BLUE TRANSPARENT
YTP	YELLOW TRANSPARENT
CTP	CLEAR TRANSPARENT



<small>UNLESS OTHERWISE SPECIFIED DIMENSIONS ARE IN INCHES</small> ANGLES DECIMALS $\pm$ .X $\pm$ .020 .XXX $\pm$ .010 .XXX $\pm$ .005 FINISH BREAK ALL CORNERS AND SHARP EDGES (S1/16)	MATERIAL	<b>VISUAL COMMUNICATIONS COMPANY, INC.</b> 190 Bosstick Boulevard, Suite 101 San Marcos, CA 92069 USA Phone (760) 560-1300 Fax (760) 560-1301 email vccsales@vccite.com	
	POLYCARBONATE, UL 94-V2	TITLE: 5MM ROUND FRESNEL LOW PROFILE LENS	
THIRD ANGLE PROJECTION	FINISH SEE NOTES	APPROVAL SMU 4-23-10	DATE 4-23-10
<small>THE INFORMATION CONTAINED IN THIS DRAWING IS THE SOLE PROPERTY OF VISUAL COMMUNICATIONS COMPANY, INC. AND IS LOANED TO YOU BY THE COMPANY. IT IS TO BE USED ONLY FOR THE PROJECT AND FOR THE COMPANY'S USE. IT IS NOT TO BE REPRODUCED OR COPIED IN ANY MANNER WITHOUT THE WRITTEN CONSENT OF VISUAL COMMUNICATIONS COMPANY, INC.</small>	DRAWN: CHECKED:	SMU DZ	DATE 4-23-10
DO NOT SCALE DRAWING	SIZE DWG. NO. <b>B CMC 321 XXX</b>	REV <b>001</b>	SCALE: 1:1 SHEET 1 OF 1