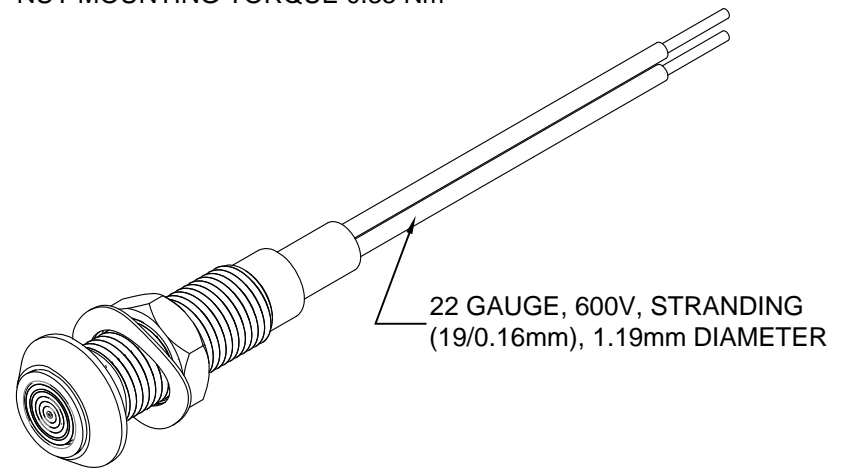
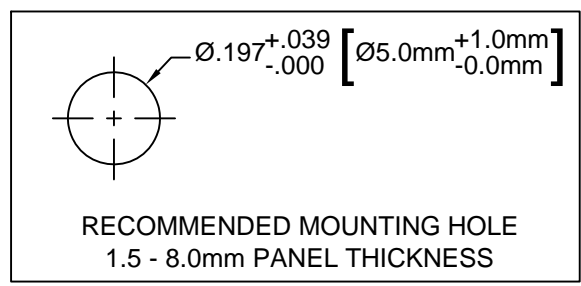
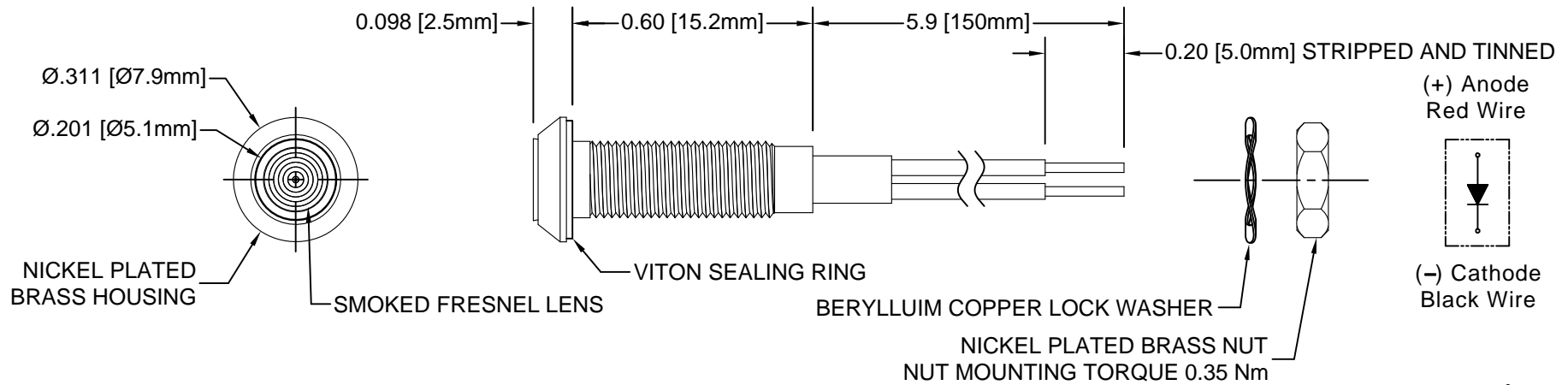


REV.	DESCRIPTION	DATE	APPROVED
B	Engineering Release	07/28/11	T. Y.
C	Added Wire Specs	02/13/13	T. Y.
D	Engineering Update w/o Changes	08/11/16	J. C.



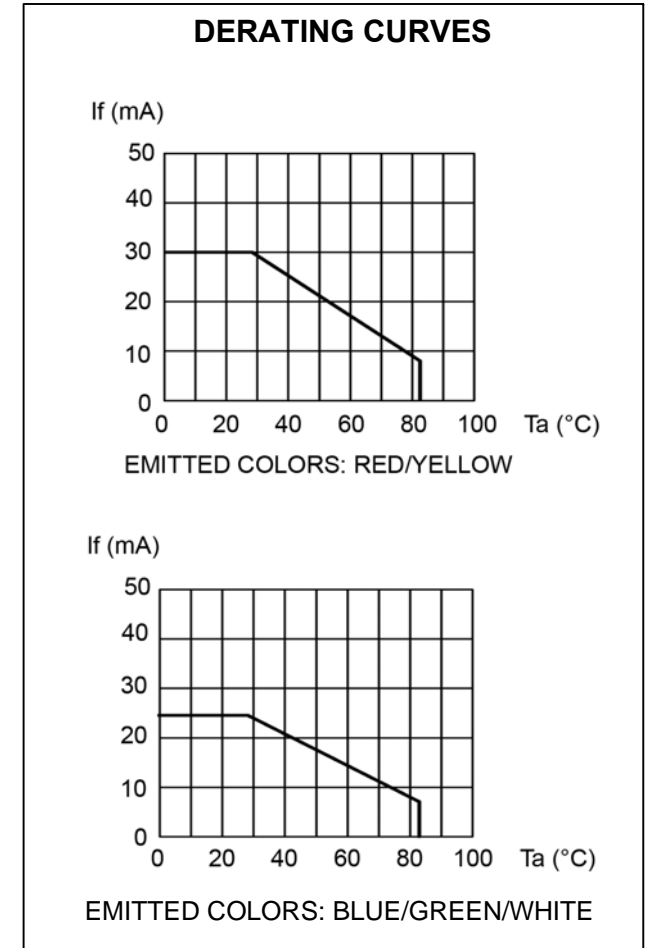
- NOTES:
1. SEALED TO IP67 RATING
  2. ROHS COMPLIANT
  3. MOUNTING HARDWARE SHIPPED NON-ASSEMBLED
  4. INSERT VITON RING ON PANEL MOUNT ASSEMBLY PRIOR TO PANEL INSTALLATION

STANDARD TOLERANCE (UNLESS OTHERWISE SPECIFIED)		 4 THOMAS, IRVINE, CA. 92618 TEL: (949) 951-8808 FAX: (949) 951-3974	
DECIMALS	ANGULAR		
.X ± .1	X° ± 1°		<b>TITLE:</b> WATER TIGHT PANEL MOUNT LED ASSEMBLY, 5MM MOUNTING
.XX ± .02			
.XXX ± .010		<b>DESIGNED:</b> <b>R. Paje</b>	<b>DATE:</b> <b>02/23/11</b>
<b>CHECKED:</b> <b>T. Yin</b>		<b>DATE:</b> <b>02/23/11</b>	<b>PART NO:</b> <b>PM5-B5XXX</b>
		<b>CAGE CODE :</b> 32559	<b>REVISION:</b> <b>D</b>
		<b>SHEET #</b> 1 OF 2	CAD GENERATED DOCUMENT. DO NOT MEASURE DRAWING.

REV.	DESCRIPTION	DATE	APPROVED
	SEE SHEET #1		

Part Number	Peak Wave Length $\lambda_p$ (nm)	Emitted Color	Lens Appearance	Abs. Max. Rating	Electro-Optical Data @ 20mA		Viewing Angle
				Vr (VDC)	Vf (VDC)	Iv (mcd)	
				MAX	TYP	TYP	
PM5-B5R2.0V	660	RED	SMOKED	3	2.0	39	120
PM5-B5Y2.0V	585	YELLOW	SMOKED	3	2.0	87	120
PM5-B5G3.4V	525	GREEN	SMOKED	3	3.4	576	120
PM5-B5B3.4V	470	BLUE	SMOKED	3	3.4	128	120
PM5-B5R28V	660	RED	SMOKED	75	24-28	39	120
PM5-B5Y28V	585	YELLOW	SMOKED	75	24-28	87	120
PM5-B5G28V	525	GREEN	SMOKED	75	24-28	576	120
PM5-B5B28V	470	BLUE	SMOKED	75	24-28	128	120

Part Number	Chromaticity Coordinates	Emitted Color	Lens Appearance	Reverse Voltage	Electro-Optical Data @ 20mA		Viewing Angle
				Vr (VDC)	Vf (VDC)	Iv (mcd)	
				MAX	TYP	TYP	
PM5-B5W3.4V	X=.29, Y=.30	WHITE	SMOKED	3	3.4	414	120
PM5-B5W28V	X=.29, Y=.30	WHITE	SMOKED	75	24-28	414	120



## ABSOLUTE MAXIMUM RATINGS (Ta = 25°C)

MAXIMUM POWER DISSIPATION \_\_\_\_\_ 425 mW  
 OPERATING TEMPERATURE RANGE \_\_\_\_\_ -30°C ~ 85°C  
 STORAGE TEMPERATURE \_\_\_\_\_ -40°C ~ 85°C

STANDARD TOLERANCE (UNLESS OTHERWISE SPECIFIED) DECIMALS      ANGULAR		<b>BIVAR</b> <sup>®</sup> 4 THOMAS, IRVINE, CA. 92618 TEL: (949) 951-8808    FAX: (949) 951-3974	
		<b>TITLE:</b> WATER TIGHT PANEL MOUNT LED ASSEMBLY, 5MM MOUNTING	
DESIGNED: <b>R. Paje</b>	DATE: <b>02/23/11</b>	<b>PART NO:</b> PM5-B5XXX	REVISION: <b>D</b>
CHECKED: <b>T. Yin</b>	DATE: <b>02/23/11</b>	<b>CAGE CODE :</b> 32559	<b>SHEET # 2 OF 2</b>
CAD GENERATED DOCUMENT. DO NOT MEASURE DRAWING.			