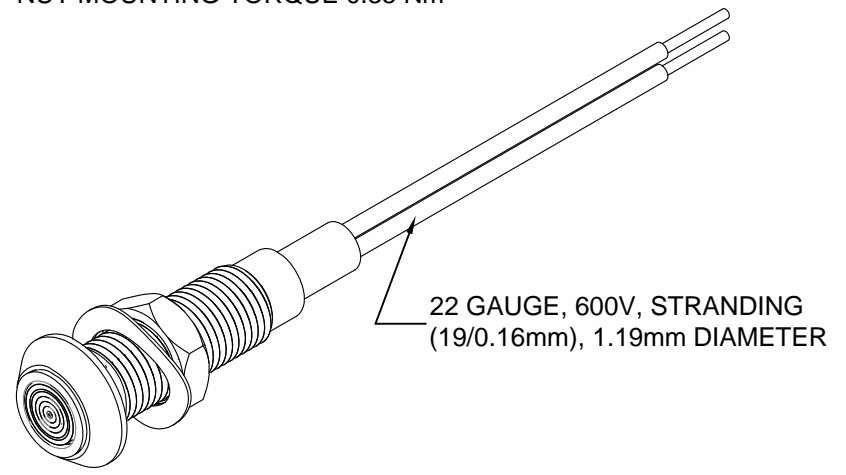
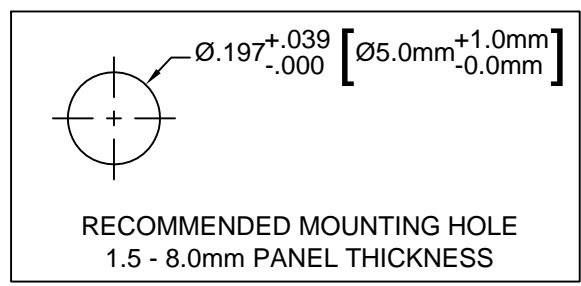
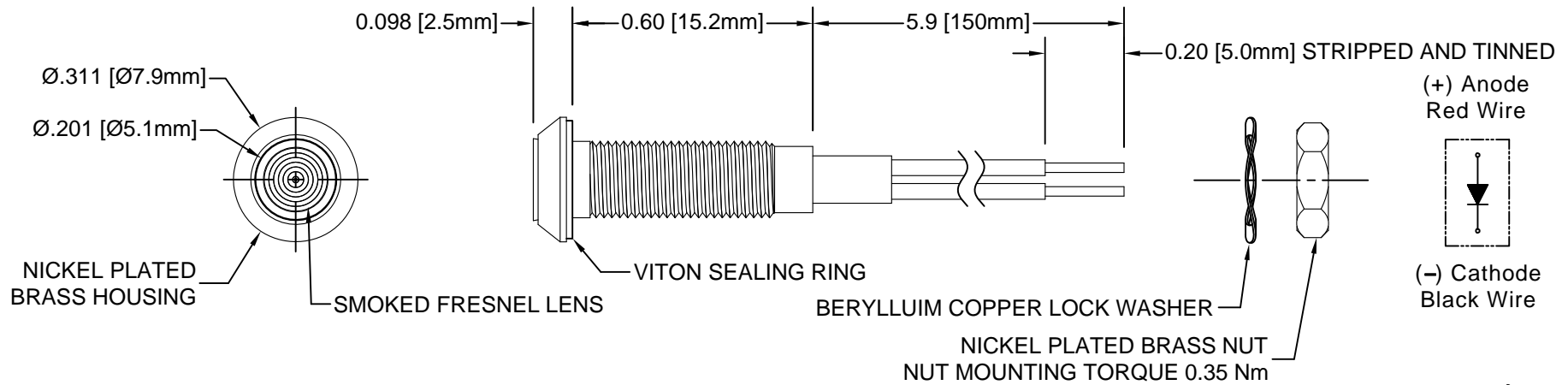


| REV. | DESCRIPTION                    | DATE     | APPROVED |
|------|--------------------------------|----------|----------|
| B    | Engineering Release            | 07/28/11 | T. Y.    |
| C    | Added Wire Specs               | 02/13/13 | T. Y.    |
| D    | Engineering Update w/o Changes | 08/11/16 | J. C.    |
|      |                                |          |          |



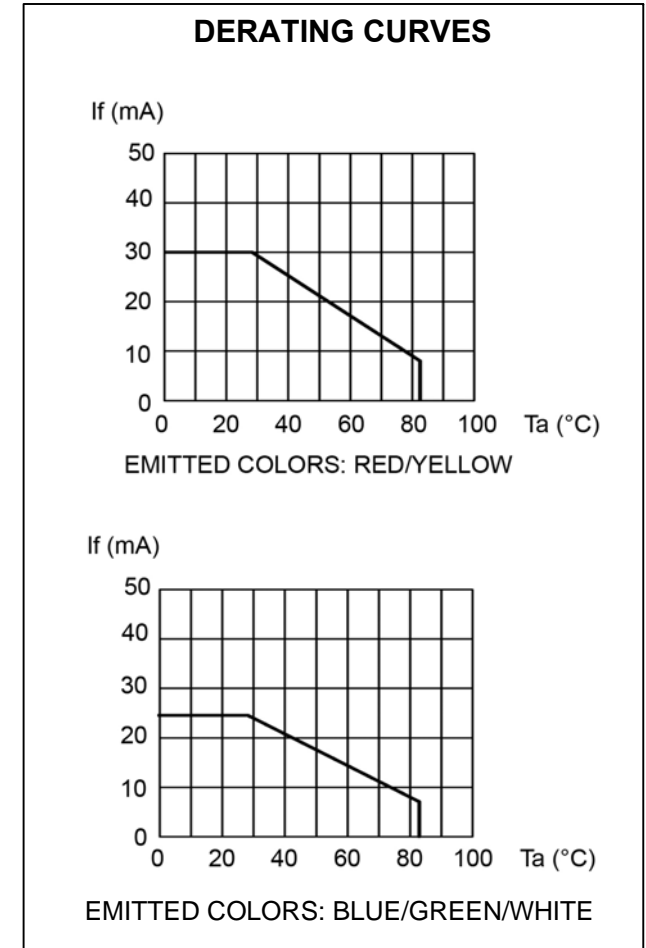
- NOTES:
1. SEALED TO IP67 RATING
  2. ROHS COMPLIANT
  3. MOUNTING HARDWARE SHIPPED NON-ASSEMBLED
  4. INSERT VITON RING ON PANEL MOUNT ASSEMBLY PRIOR TO PANEL INSTALLATION

| STANDARD TOLERANCE<br>(UNLESS OTHERWISE SPECIFIED) |                | BIVAR®  |                |
|--|----------------|---|----------------|
| DECIMALS   | ANGULAR        | 4 THOMAS, IRVINE, CA. 92618                               |                |
| .X ± .1  | X° ± 1°        | TEL: (949) 951-8808 FAX: (949) 951-3974                   |                |
| .XX ± .02  |                | TITLE: WATER TIGHT PANEL MOUNT LED ASSEMBLY, 5MM MOUNTING |                |
| .XXX ± .010  |                | PART NO: PM5-B5XXX  | REVISION: D    |
| DESIGNED: R. Paje                                  | DATE: 02/23/11 | CAGE CODE : 32559   | SHEET # 1 OF 2 |
| CHECKED: T. Yin                                    | DATE: 02/23/11 | CAD GENERATED DOCUMENT. DO NOT MEASURE DRAWING.           |                |

|      |              |      |          |
|------|--------------|------|----------|
| REV. | DESCRIPTION  | DATE | APPROVED |
|      | SEE SHEET #1 |      |          |
|      |              |      |          |

| Part Number | Peak Wave Length $\lambda_p$ (nm) | Emitted Color | Lens Appearance | Abs. Max. Rating | Electro-Optical Data @ 20mA |          | Viewing Angle |
|-------------|-----------------------------------|---------------|-----------------|------------------|-----------------------------|----------|---------------|
|             |                                   |               |                 | Vr (VDC)         | Vf (VDC)                    | Iv (mcd) |               |
|             |                                   |               |                 | MAX              | TYP                         | TYP      |               |
| PM5-B5R2.0V | 660                               | RED           | SMOKED          | 3                | 2.0                         | 39       | 120           |
| PM5-B5Y2.0V | 585                               | YELLOW        | SMOKED          | 3                | 2.0                         | 87       | 120           |
| PM5-B5G3.4V | 525                               | GREEN         | SMOKED          | 3                | 3.4                         | 576      | 120           |
| PM5-B5B3.4V | 470                               | BLUE          | SMOKED          | 3                | 3.4                         | 128      | 120           |
| PM5-B5R28V  | 660                               | RED           | SMOKED          | 75               | 24-28                       | 39       | 120           |
| PM5-B5Y28V  | 585                               | YELLOW        | SMOKED          | 75               | 24-28                       | 87       | 120           |
| PM5-B5G28V  | 525                               | GREEN         | SMOKED          | 75               | 24-28                       | 576      | 120           |
| PM5-B5B28V  | 470                               | BLUE          | SMOKED          | 75               | 24-28                       | 128      | 120           |

| Part Number | Chromaticity Coordinates | Emitted Color | Lens Appearance | Reverse Voltage | Electro-Optical Data @ 20mA |          | Viewing Angle |
|-------------|--------------------------|---------------|-----------------|-----------------|-----------------------------|----------|---------------|
|             |                          |               |                 | Vr (VDC)        | Vf (VDC)                    | Iv (mcd) |               |
|             |                          |               |                 | MAX             | TYP                         | TYP      |               |
| PM5-B5W3.4V | X=.29, Y=.30             | WHITE         | SMOKED          | 3               | 3.4                         | 414      | 120           |
| PM5-B5W28V  | X=.29, Y=.30             | WHITE         | SMOKED          | 75              | 24-28                       | 414      | 120           |



## ABSOLUTE MAXIMUM RATINGS (Ta = 25°C)

MAXIMUM POWER DISSIPATION \_\_\_\_\_ 425 mW  
 OPERATING TEMPERATURE RANGE \_\_\_\_\_ -30°C ~ 85°C  
 STORAGE TEMPERATURE \_\_\_\_\_ -40°C ~ 85°C

|   |                          |  |                       |
|---|--------------------------|--|-----------------------|
| STANDARD TOLERANCE<br>( UNLESS OTHERWISE SPECIFIED )<br>DECIMALS      ANGULAR |                          | <b>BIVAR</b> <sup>®</sup><br>4 THOMAS, IRVINE, CA. 92618<br>TEL: (949) 951-8808    FAX: (949) 951-3974 |                       |
|   |                          | <b>TITLE:</b> WATER TIGHT PANEL MOUNT LED ASSEMBLY, 5MM MOUNTING                                       |                       |
| DESIGNED:<br><b>R. Paje</b>   | DATE:<br><b>02/23/11</b> | <b>PART NO:</b><br>PM5-B5XXX   | REVISION:<br><b>D</b> |
| CHECKED:<br><b>T. Yin</b>   | DATE:<br><b>02/23/11</b> | <b>CAGE CODE :</b> 32559   | <b>SHEET # 2 OF 2</b> |
| CAD GENERATED DOCUMENT. DO NOT MEASURE DRAWING.                               |                          |  |                       |