

PLEASE CHECK WWW.MOLEX.COM FOR LATEST PART INFORMATION

Part Number: [1045398002](#)
Status: **Active**
Overview: [IllumiMate™ Connector System](#)
Description: [IllumiMate™ 1.00mm Wire-to-Board Receptacle Terminal, Pre-plated, Tin \(Sn\)](#)

Documents:

Drawing (PDF)	Product Specification PS-104127-004 (PDF)
Product Specification PS-104127-001 (PDF)	Packaging Specification PK-104539-001 (PDF)
Product Specification PS-104127-002 (PDF)	RoHS Certificate of Compliance (PDF)

General

Product Family	Crimp Terminals
Series	104539
Application	Signal
Crimp Quality Equipment	Yes
Overview	IllumiMate™ Connector System
Product Name	IllumiMate™
UPC	884982701625

Physical

Durability (mating cycles max)	30
Gender	Female
Material - Metal	Phosphor Bronze
Material - Plating Mating	Tin
Material - Plating Termination	Tin
Net Weight	0.019/g
Packaging Type	Reel
Termination Interface: Style	Crimp or Compression
Wire Insulation Diameter	0.80mm max.
Wire Size AWG	30, 32
Wire Size mm ²	0.03-0.05

Electrical

Current - Maximum per Contact	1.5A
Voltage - Maximum	60V

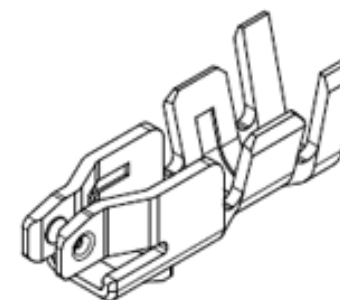
Solder Process Data

Lead-free Process Capability	N/A
------------------------------	-----

Material Info

Reference - Drawing Numbers

Packaging Specification	PK-104539-001
Product Specification	PS-104127-001, PS-104127-002, PS-104127-004, RPS-104127-002
Sales Drawing	SD-104539-001



Series image - Reference only

EU ELV

Not Relevant

EU RoHS

Compliant

China RoHS

REACH SVHC

Not Contained Per
-ED/79/2015 (17
December 2015)

Halogen-Free

Status

Low-Halogen

Need more information on product environmental compliance?

Email productcompliance@molex.com
Please visit the [Contact Us](#) section for any non-product compliance questions.

China ROHS
ELV

Green Image
Not Relevant

Search Parts in this Series

[104539](#) Series

Use With

IllumiMate™ 1.00mm Wire-to-Board Crimp Housing [104128-0400](#) , [104128-0500](#) , [104142-1000](#) ,
 [104128-0610](#)

Application Tooling | FAQ

Tooling specifications and manuals are found by selecting the products below. Crimp Height Specifications are then contained in the Application Tooling Specification document.

Global

Description	Product #
Hand Crimp Tool for IllumiMate™ 1.25mm Wire-to-Board Crimp Terminals	0638271000

This document was generated on 04/22/2016

PLEASE CHECK WWW.MOLEX.COM FOR LATEST PART INFORMATION