

**PLEASE CHECK WWW.MOLEX.COM FOR LATEST PART INFORMATION**

**Part Number:** [1045398002](#)  
**Status:** **Active**  
**Overview:** IllumiMate™ Connector System  
**Description:** IllumiMate™ 1.00mm Wire-to-Board Receptacle Terminal, Pre-plated, Tin (Sn)

**Documents:**

<a href="#">Drawing (PDF)</a>	<a href="#">Product Specification PS-104127-004 (PDF)</a>
<a href="#">Product Specification PS-104127-001 (PDF)</a>	<a href="#">Packaging Specification PK-104539-001 (PDF)</a>
<a href="#">Product Specification PS-104127-002 (PDF)</a>	<a href="#">RoHS Certificate of Compliance (PDF)</a>

**General**

Product Family	Crimp Terminals
Series	<a href="#">104539</a>
Application	Signal
Crimp Quality Equipment	Yes
Overview	<a href="#">IllumiMate™ Connector System</a>
Product Name	IllumiMate™
UPC	884982701625

**Physical**

Durability (mating cycles max)	30
Gender	Female
Material - Metal	Phosphor Bronze
Material - Plating Mating	Tin
Material - Plating Termination	Tin
Net Weight	0.019/g
Packaging Type	Reel
Termination Interface: Style	Crimp or Compression
Wire Insulation Diameter	0.80mm max.
Wire Size AWG	30, 32
Wire Size mm <sup>2</sup>	0.03-0.05

**Electrical**

Current - Maximum per Contact	1.5A
Voltage - Maximum	60V

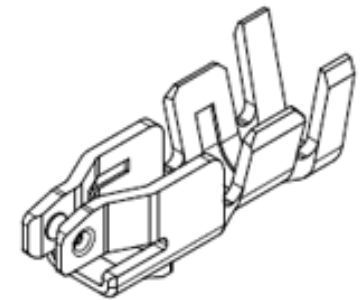
**Solder Process Data**

Lead-free Process Capability	N/A
------------------------------	-----

**Material Info**

**Reference - Drawing Numbers**

Packaging Specification	PK-104539-001
Product Specification	PS-104127-001, PS-104127-002, PS-104127-004, RPS-104127-002
Sales Drawing	SD-104539-001



Series image - Reference only

**EU ELV**

**Not Relevant**

**EU RoHS**

**Compliant**

**China RoHS**

**REACH SVHC**

Not Contained Per  
-ED/79/2015 (17  
December 2015)

**Halogen-Free**

**Status**

**Low-Halogen**

**Need more information on product environmental compliance?**

Email [productcompliance@molex.com](mailto:productcompliance@molex.com)  
Please visit the [Contact Us](#) section for any non-product compliance questions.

China ROHS  
ELV

Green Image  
Not Relevant

**Search Parts in this Series**

[104539](#) Series

**Use With**

IllumiMate™ 1.00mm Wire-to-Board Crimp Housing [104128-0400](#) , [104128-0500](#) , [104142-1000](#) , <br> [104128-0610](#)

**Application Tooling | FAQ**

*Tooling specifications and manuals are found by selecting the products below. Crimp Height Specifications are then contained in the Application Tooling Specification document.*

**Global**

Description	Product #
Hand Crimp Tool for IllumiMate™ 1.25mm Wire-to-Board Crimp Terminals	<a href="#">0638271000</a>

This document was generated on 04/22/2016

**PLEASE CHECK [WWW.MOLEX.COM](http://WWW.MOLEX.COM) FOR LATEST PART INFORMATION**