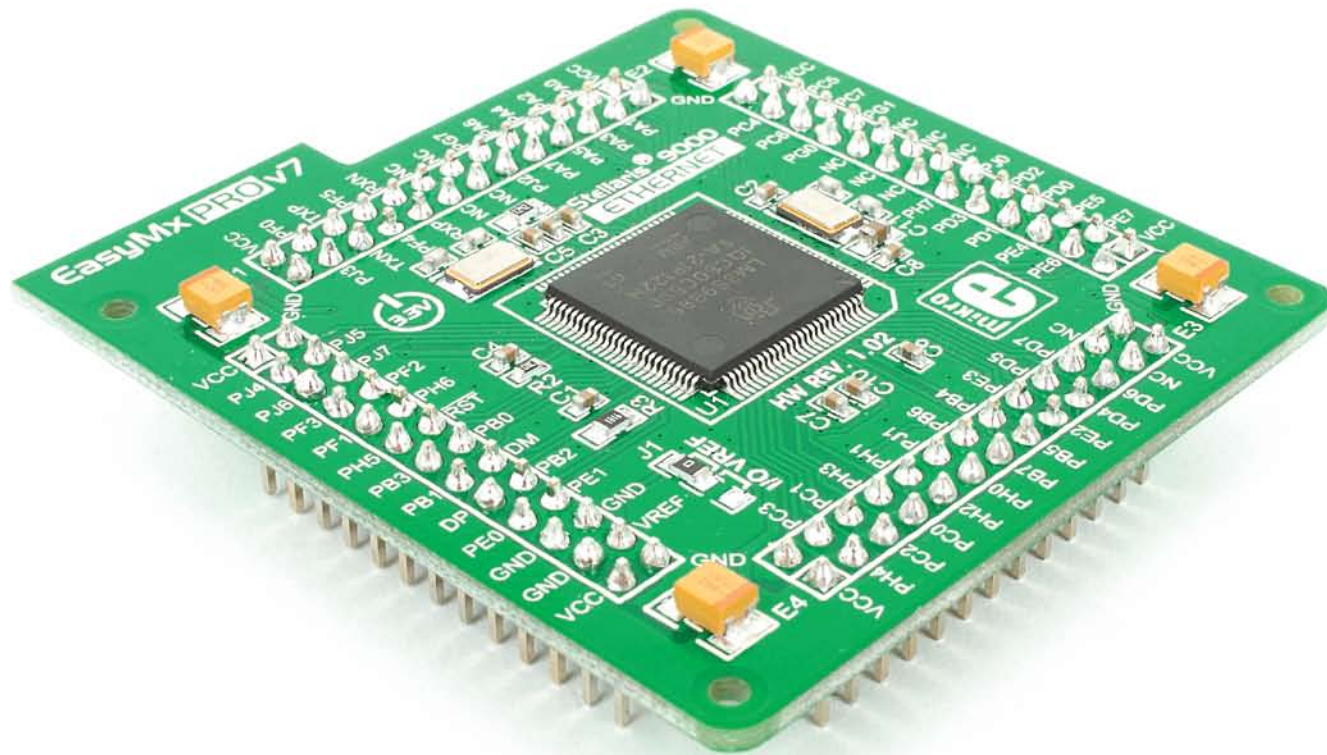


# Ethernet MCU card with LM3S9B95 (100-pin TQFP)



# Card information

The **Default MCU card** that comes with the EasyMx PRO™ v7 for Stellaris® package is shown on **Figure 4-1**. It contains **LM3S9B95** microcontroller with on-chip peripherals and is a great choice for both beginners and professionals. After testing and building the final program, this card can also be taken out of the board socket and used in your final device.

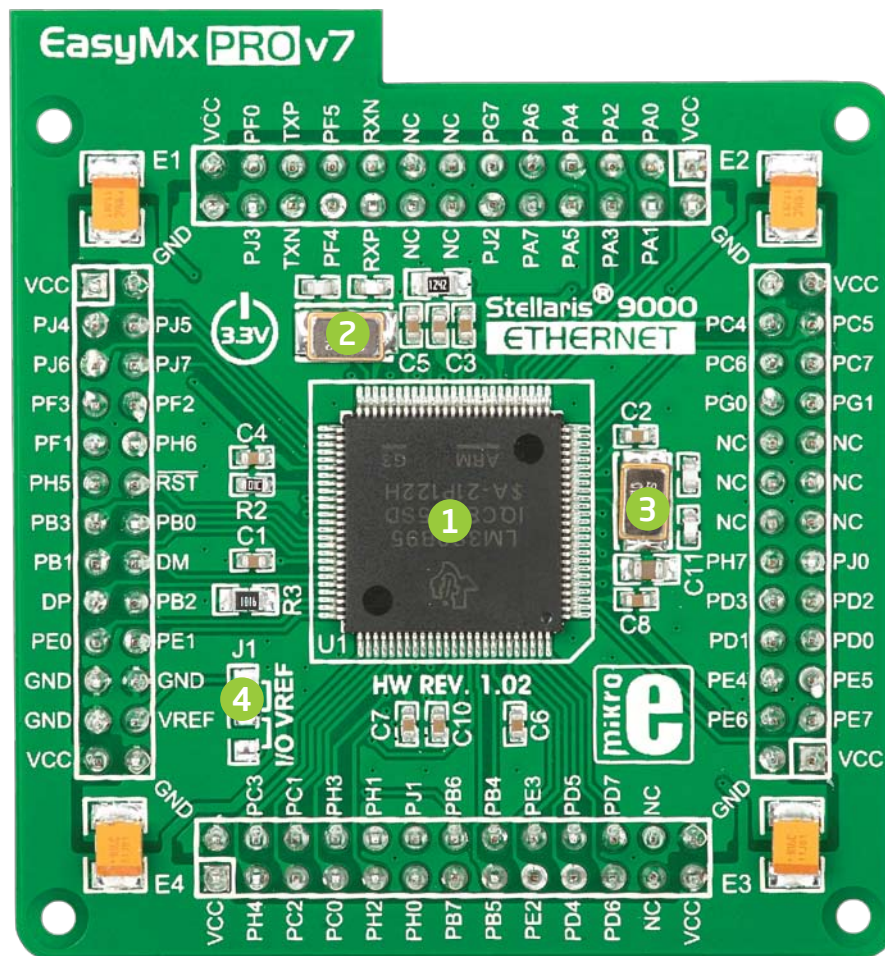


Figure 1: Default MCU card with LM3S9B95

- 1** **LM3S9B95** is the default chip of EasyMx PRO™ v7 for Stellaris®. It belongs to ARM® Cortex™-M3 family. It has **80MHz** operation, **256K bytes** of linear program memory, **96K bytes** of linear data memory. It has integrated **Ethernet controller** with PHY, **USB** (OTG, Host, Device), up to 65 General purpose **I/O pins**, five **16-bit timers**, 16 Analog Input pins (**AD**), three **UARTs**, internal Real time clock (**RTC**), a pair of each: **I2C**, **SPI** and **CAN** controllers. It also contains 3 **analog comparators**, 16 **digital comparators**. It is pre loaded with **StellarisWare®** libraries and bootloader in ROM.
- 2** **8MHz crystal oscillator**. We carefully chose the most convenient crystal value that provides clock frequency which can be used directly, or with the PLL multipliers to create higher MCU clock value.
- 3** **25MHz crystal oscillator**. This crystal oscillator is connected to internal Ethernet module.
- 4** **VREF jumper**. This jumper determines whether **PB6** pin is used as voltage reference for A/D converter, or it is used as general purpose I/O pin. Jumper is soldered to **VREF** position by default.

Please note that if VREF jumper is soldered to I/O position Touch Panel controller will not operate correctly, because it uses voltage from this pin as a reference for A/D conversion.

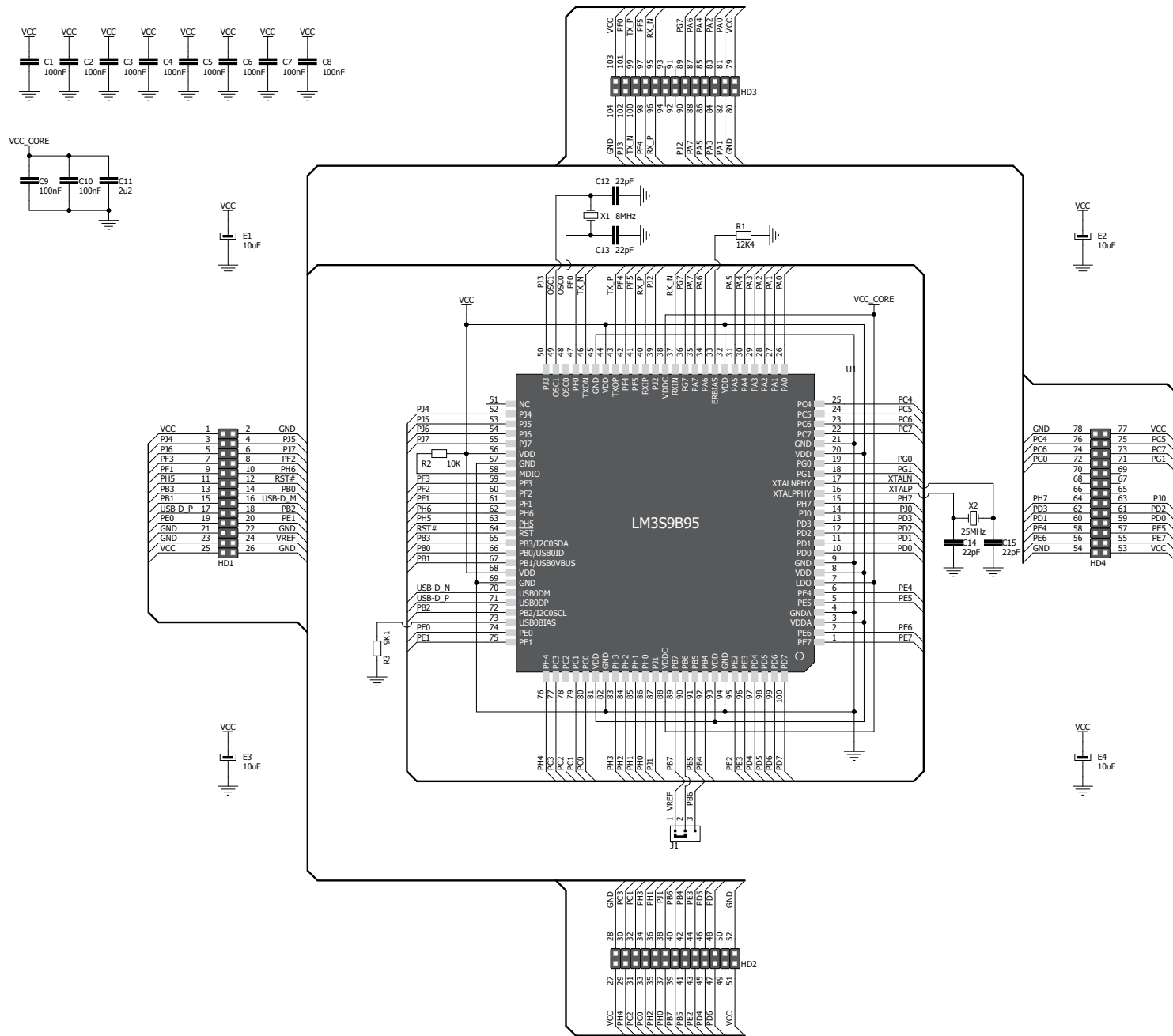


Figure 2: MCU card schematic

# Card dimensions

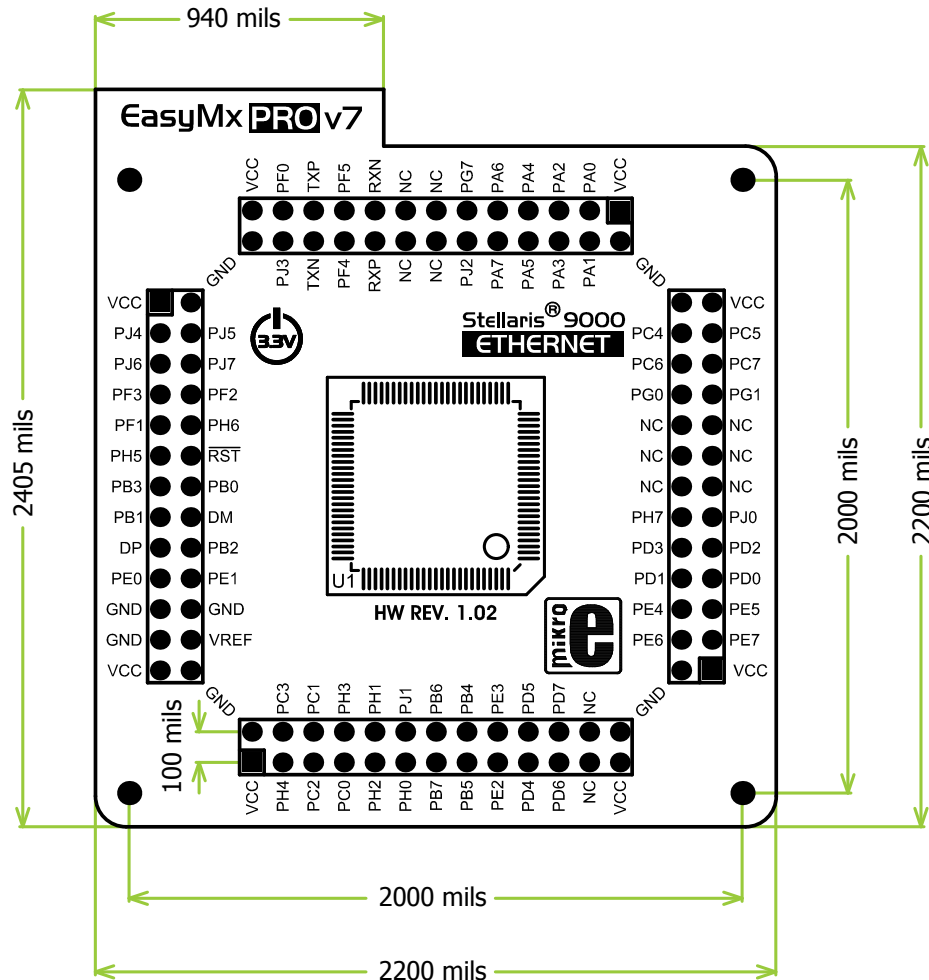
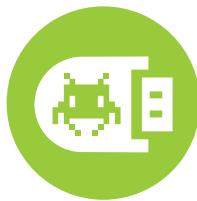


Figure 3: MCU card dimensions



If you want to learn more about our products, please visit our website at [www.mikroe.com](http://www.mikroe.com)

If you are experiencing some problems with any of our products or just need additional information, please place your ticket at [www.mikroe.com/esupport](http://www.mikroe.com/esupport)

If you have any questions, comments or business proposals,  
do not hesitate to contact us at [office@mikroe.com](mailto:office@mikroe.com)