

VOLTAGE CONTROLLED TEMPERATURE COMPENSATED CRYSTAL OSCILLATOR



5.0 X 3.2 X 1.5mm

ASTX-09/ASVTX-09



FEATURES:

- Low height 1.5mm
- Low phase noise -135dBc typical / 1kHz
- Low current 1.5mA / ~20MHz
- Clipped sine wave output.
- Suitable for RoHS reflow

APPLICATIONS:

- Cellular and cordless phones.
- GPS
- Mobile communication equipment.
- Portable radio equipment and music player.

STANDARD SPECIFICATIONS:

PARAMETERS

ABRACON P/N	ASTX-09/ASVTX-09 Series										
Frequency:	6.000MHz to 45.000MHz										
Nominal Frequencies:	8, 10, 12, 12.8, 13, 14.4, 16.368, 19.2, 19.8, 20, 22, 24.5535, 26.40										
Operating Temperature:	- 30°C to + 75°C (See Table 1 for options)										
Storage Temperature:	- 40°C to + 85°C										
Frequency Stability:	<table border="0"> <tr> <td>vs +25°C before reflow</td> <td>± 0.5ppm standard (See option)</td> </tr> <tr> <td>vs Operating Temp.</td> <td>±2.5ppm standard (See Table1 for options)</td> </tr> <tr> <td>vs Aging</td> <td>± 1ppm/1st year</td> </tr> <tr> <td>vs Supply Voltage</td> <td>±0.2ppm (± 5% change)</td> </tr> <tr> <td>vs Load</td> <td>±0.2ppm (± 10% change)</td> </tr> </table>	vs +25°C before reflow	± 0.5ppm standard (See option)	vs Operating Temp.	±2.5ppm standard (See Table1 for options)	vs Aging	± 1ppm/1st year	vs Supply Voltage	±0.2ppm (± 5% change)	vs Load	±0.2ppm (± 10% change)
vs +25°C before reflow	± 0.5ppm standard (See option)										
vs Operating Temp.	±2.5ppm standard (See Table1 for options)										
vs Aging	± 1ppm/1st year										
vs Supply Voltage	±0.2ppm (± 5% change)										
vs Load	±0.2ppm (± 10% change)										
Voltage Control Range (Vcc):	1.5V ±1.0V										
Supply Voltage (Vdd):	3.0V ± 5%Standard (See options)										
Supply Current:	1.5mA max (~20MHz), 2.0mA max (~32MHz), 2.5mA max (~45MHz)										
Output Type:	Clipped Sine										
Output Voltage	0.8Vp-p min										
Output Load:	10 kohm // 10 pF										
Pullability:	± 8ppm min										
Transfer function:	Positive										
Phase Noise (Reference only):	-135dBc typical @ 1KHz (Frequency dependent.) e.g. -131dBc typical @ 1KHz (32MHz), Please contact ABRACON for each frequencies.										

OPTIONS & PART IDENTIFICATION:

(Left blank if standard)

ASTX- 09/ASVTX - 09 - - Frequency - - -

	Supply Voltage (Vdd)
A	2.5V±0.1 V
Blank*	3.0V±5%
B	3.3V±5%
C	5.0V±5%

*3.0V±5% : Standard

Frequency Stability vs +25°C	
Blank*	±0.5ppm
J	±1.5ppm

* Standard

Packaging	
Blank	Bulk
T	Tape and Reel

(1,000 or 2,000pcs/reel)

Table 1: Frequency Stability vs Operating Temp.

	±1ppm	±1.5ppm	±2ppm	±2.5ppm	±3ppm	±4ppm	±5ppm
0°C-50°C	D10	D15	D20	D25	D30	D40	D50
-10°C to 60°C	E10	E15	E20	E25	E30	E40	E50
0°C to 70°C		F15	F20	F25	F30	F40	F50
-20°C to +75°C			G20	G25	G30	G40	G50
-30°C to 75°C				STD	H30	H40	H50
-40°C to 85°C					I30	I40	I50

ABRACON IS
ISO9001:2008
CERTIFIED

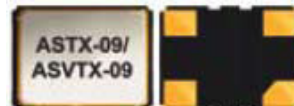


Visit www.abracon.com for Terms & Conditions of Sale

30332 Esperanza, Rancho Santa Margarita, California 92688
tel 949-546-8000 | fax 949-546-8001 | www.abracon.com

Revised: 09.14.11

VOLTAGE CONTROLLED TEMPERATURE COMPENSATED CRYSTAL OSCILLATOR

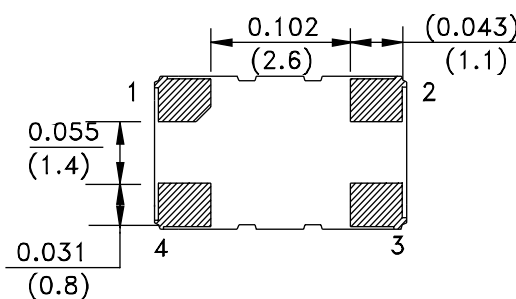
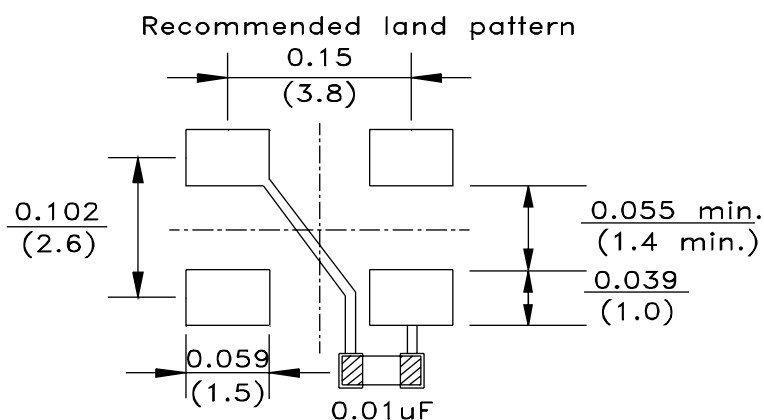
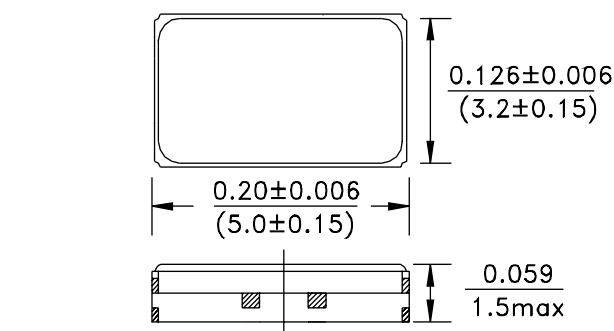


5.0 X 3.2 X 1.5mm

ASTX-09/ASVTX-09



OUTLINE DIMENSIONS:



Note: The outline package may vary. Electrical properties, pin configuration, and land pattern are the same.

Note: Recommend using an approximately 0.01uF bypass capacitor between PIN 2 and 4.

PIN	FUNCTION
1	Vc/NC*
2	GND
3	Output
4	Vdd

*NC for ASTX-09 only

Dimension : Inches (mm)

TAPE & REEL:

T= tape and reel (1,000 or 2,000pcs/reel)

Dimension : mm

