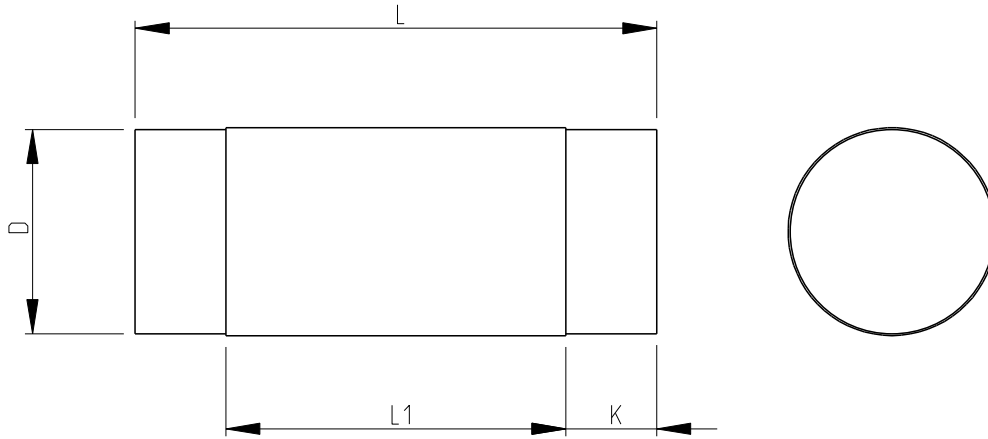
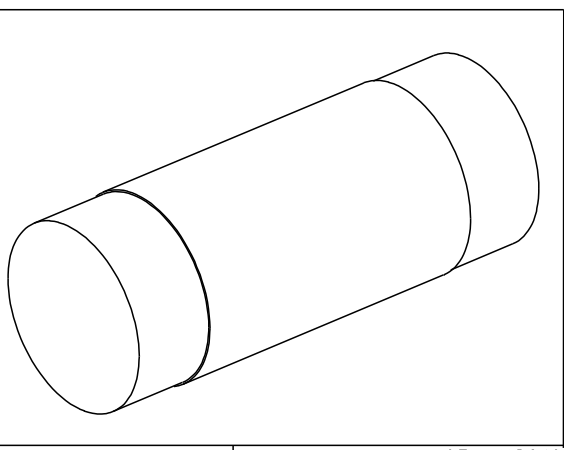


LOC	DIST	REVISIONS					
E	B	P	LTR	DESCRIPTION	DATE	DWN	APVD
		BA		NEW RELEASE	05MAY2010	PT	St.P

FOR FURTHER INFORMATION SEE DATA SHEET OF SMA-SERIES MELF RESISTORS



RoHS Compliant



Codes	L	∅D	K	L1 Min
0204	3.45±0.1	1.35±0.1	0.6±0.1	2.00
0207	5.90±0.1	2.20±0.1	1.0±0.1	3.40

2008  
 RELEASED FOR PUBLICATION  
 ALL RIGHTS RESERVED.  
 THIS DRAWING IS UNPUBLISHED.  
 © COPYRIGHT 2008

DIMENSIONS:		DWN	05MAY2010	MATERIAL	FINISH	
mm		PARUSURAM.T		-	-	
TOLERANCES UNLESS OTHERWISE SPECIFIED:		CHK	05MAY2010			
		SUBHASH.M				
0 PLC ±0.2		APVD	05MAY2010	NAME MELF RESISTORS SMA SERIES		
1 PLC ±0.1		STEPHEN.P				
2 PLC ±		PRODUCT SPEC		SIZE	CAGE CODE	DRAWING NO
3 PLC ±		-		A 4	00779	©=1879283
4 PLC ±		APPLICATION SPEC		RESTRICTED TO		
ANGLES ±5°		-		-		
		WEIGHT		SCALE		40:1
		-		SHEET		1 OF 1
CUSTOMER DRAWING				REV		BA