

Main

| | |
|---------------------------|-------------------|
| Range of product | Zelio Relay |
| Product or component type | Solid state relay |
| Device short name | SSL |
| Phase | 1 phase |

Complementary

| | |
|-------------------------------------|---|
| Mounting support | Socket |
| Line Rated Current | 2 A |
| Output voltage | 24...280 V AC |
| [Uc] control circuit voltage | 15...30 V DC |
| Contacts type and composition | 1 NO |
| Capacitance unbalance | 1.5 pF input/output |
| Minimum switching voltage | 15 V DC turn-on |
| Maximum switching voltage | 10 V DC turn-off |
| Input current limits | 6 mA |
| Input impedance | 3500 Ohm |
| Solid state output type | Zero voltage switching SCR output |
| Load current | 0.07...2 A |
| Absolute maximum voltage | 600 V AC |
| Surge current | 120 A 16.6 ms 115 A 20 ms |
| Voltage drop | <= 1.1 V on-state |
| Maximum I ² t for fusing | 260 A ² .s 8.3 ms at 60 Hz half cycle 285 A ² .s 10 ms at 50 Hz half cycle |
| Leakage current | <= 4 mA off-state |
| DV/dt | 500 V/μs off-state at maximum voltage |
| Response time | 0.5 cycle turn-on 0.5 cycle turn-off |
| Overvoltage category | III |
| Width | 0.2 in (5 mm) |
| Height | 1.1 in (28 mm) |
| Depth | 0.59 in (15 mm) |
| Product weight | 0.01 lb(US) (0.0041 kg) |

Environment

| | |
|------------------------|------------------------|
| flame retardance | V0 conforming to UL 94 |
| dielectric strength | 2500 V input/output |
| pollution degree | 2 |
| product certifications | CSA UL REACH |
| marking | CE |

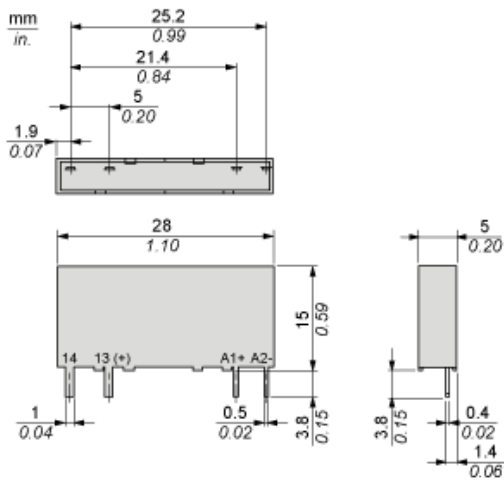
The information provided in this documentation contains general descriptions and/or technical characteristics of the performance of the products contained herein. This documentation is not intended as a substitute for and is not to be used for determining suitability or reliability of these products for specific user applications. It is the duty of any such user or integrator to perform the appropriate and complete risk analysis, evaluation and testing of the products with respect to the relevant specific application or use thereof. Neither Schneider Electric Industries SAS nor any of its affiliates or subsidiaries shall be responsible or liable for misuse of the information contained herein.

| | |
|---------------------------------------|---------------------------|
| ambient air temperature for operation | -4...176 °F (-20...80 °C) |
| ambient air temperature for storage | -4...185 °F (-20...85 °C) |

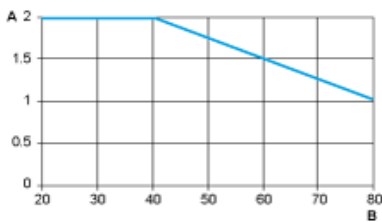
Offer Sustainability

| | |
|--|--|
| Green Premium product | Green Premium product |
| Compliant - since 1417 - Schneider Electric declaration of conformity | Compliant - since 1417 - Schneider Electric declaration of conformity |
| Reference not containing SVHC above the threshold | Reference not containing SVHC above the threshold |
| Available | Available |
| Need no specific recycling operations | Need no specific recycling operations |
| WARNING: This product can expose you to chemicals including: | WARNING: This product can expose you to chemicals including: |
| Lead and lead compounds, which is known to the State of California to cause cancer and birth defects or other reproductive harm. | Lead and lead compounds, which is known to the State of California to cause cancer and birth defects or other reproductive harm. |
| For more information go to www.p65warnings.ca.gov | For more information go to www.p65warnings.ca.gov |

Dimensions



Derating Curves



A : Load Current (Amperes)

B : Ambient Temperature (°C)