



0.9 - 3 GHz

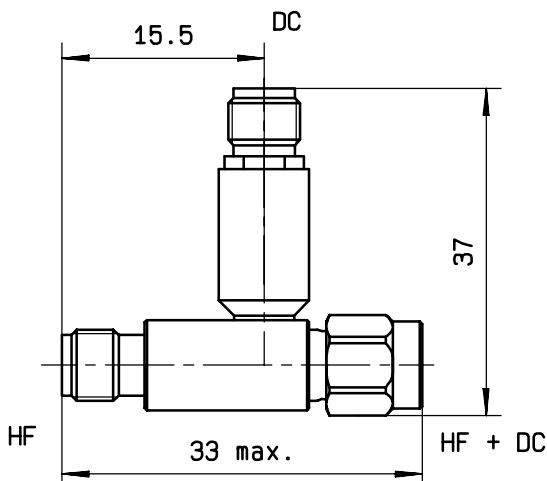
SMA

MONITOR TEE

issue
07. Jun. 96

Page
1 / 1

DRAWING



General tolerances: +/- 0.5 mm

R F CHARACTERISTICS

FREQUENCY RANGE : 0.9 - 3 GHz
 IMPEDANCE : 50 Ohms

FREQUENCY	0.9- 3 GHz
V.S.W.R	<= 1.25
INSERTION LOSS	<= 0.25 dB

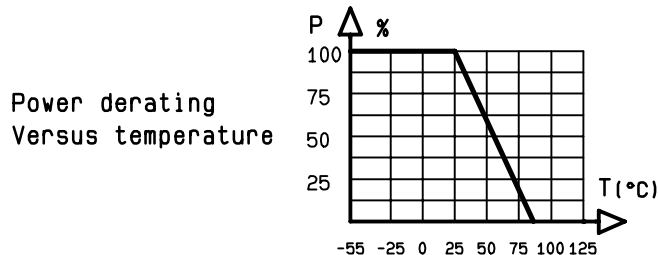
REJECTION ATTENUATION : 40 dB
 DC RESISTANCE OF INDUCTANCE : 0.15 Ohms
 MAXIMUM DC CURRENT : 250 mA
 MAXIMUM DC VOLTAGE : 50 V
 TYPICAL CAPACITANCE : 10 pF
 AVERAGE POWER at 25°C : 10 W

MECHANICAL CHARACTERISTICS

CONNECTORS : SMA male/female per MIL-C 39012
 WEIGHT : < 15 g

ENVIRONMENTAL CHARACTERISTICS

OPERATING TEMPERATURE RANGE (°C) : -5 , +65
 STORAGE TEMPERATURE RANGE (°C) : -5 , +65



This information is given as an indication. In the continual goal to improve our products, we reserve the right to make any modifications judged necessary

4112-9212

CREATION
 N° : 950014077
 PEN/EP:95236
 Name:MG
 Date:07. Jun. 96
 APP.:AF

ISSUE

REVISIONS

NAME

APPR.

RADIALL®

101. rue P. Hoffmann -Z.I Ouest-
 93116 ROSNY/BOIS Cedex-FRANCE
 Phone:33(1)49353535
 Fax :33(1)48546363
 Twx RADIA 235220F