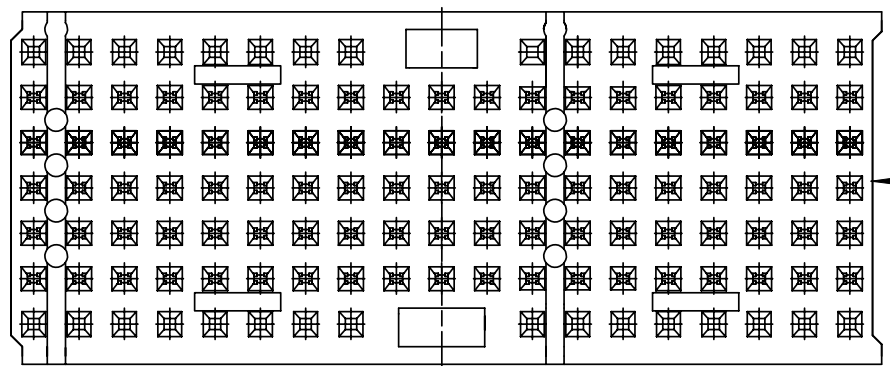


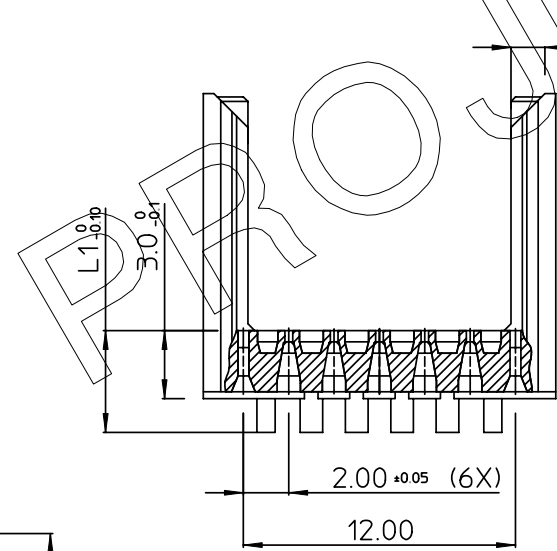
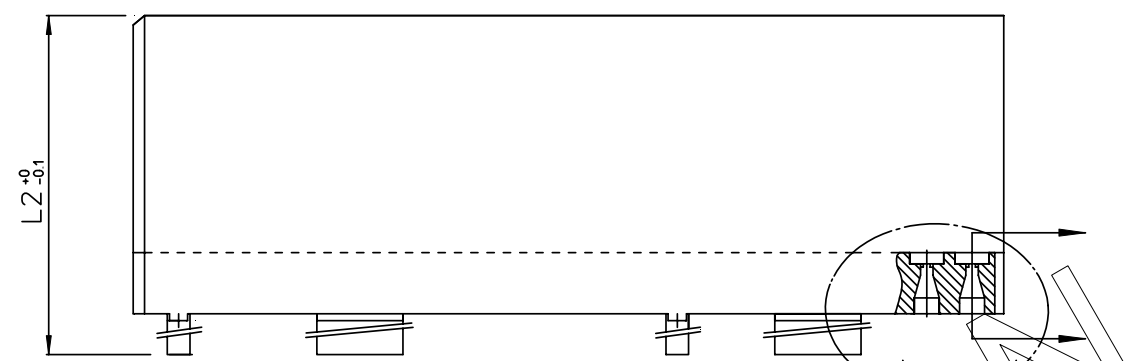
GEN. ST.	01	02	03	04	05	06	07	08	0D	50	60	70	80	90																	
INT. ST.	10	11	12	13	14	18	20	31	32	33	34	38	39	40	42	43	44	45	46	48	56	70	72	73	75	76	81	82	83	84	88

REV.	DATE	DESCRIPTION	BY	C'K'D'
A	14-09-01	CONVERSION REVISION 00	KN	
B	21-03-03	EC B30060	MF	
C	22-11-05	105-0241	ALEX B	BKP
D	06-04-06	106-0045	ALEX B	BKP



ABRIDGED  
CAT No MARKED

- NOTES: 1. MEASURED AT THE BOTTOM  
 2. MATERIAL: LCP 30% GLASSFILLED  
 3. THE "LF" PRODUCT MEETS EUROPEAN UNION DIRECTIVES AND OTHER COUNTRY REGULATIONS AS DESCRIBED IN GS-22-008.  
 4. PARTS WITH AND WITHOUT SUFFIX LF TO THE PRODUCT PART NUMBER ARE IDENTICAL IN FORM, FIT AND FUNCTION. LF SUFFIX IS ADDED TO THE PART NUMBER OF THIS PRODUCT TO HAVE UNIFORM IDENTIFICATION OF ALL RoHS COMPATIBLE PRODUCTS.

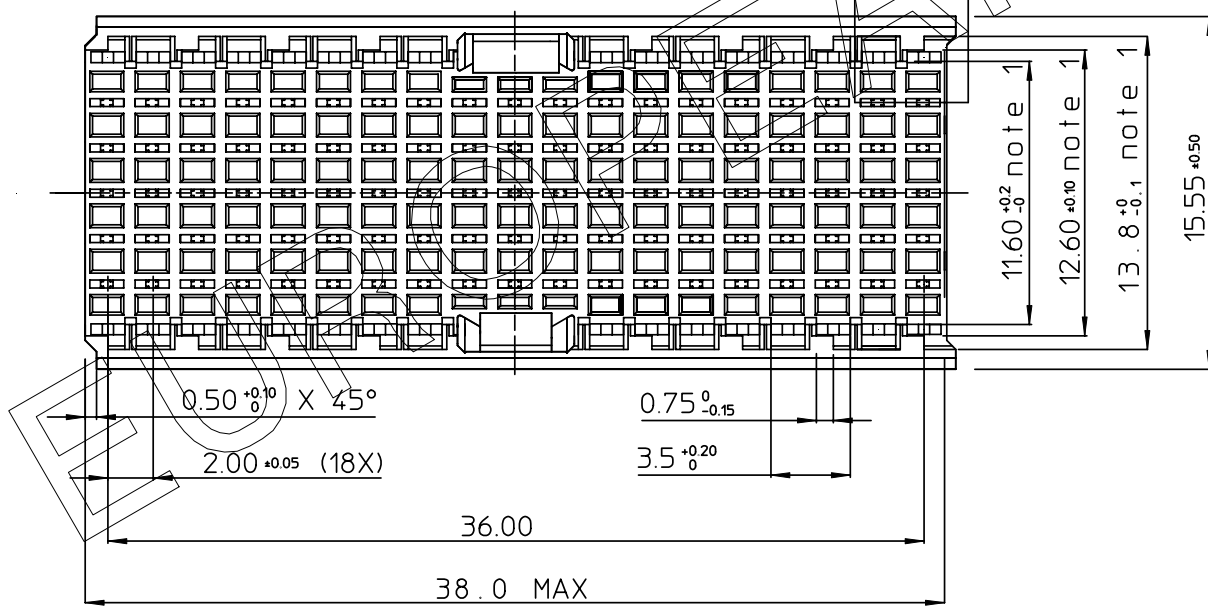


1.50<sup>+0.1</sup> X 45°

RoHS COMPATIBLE  
(DIGIT 11 & 12)

HM2H67P1--LF

STANDOFF HEIGHT INDICATOR



PART NUMBER	L1	L2	AVAILABILITY
HM2H67P1LF	3.0	13.45	AVAILABLE
HM2H67P109LF	3.9	14.35	AVAILABLE
HM2H67P111LF	4.1	14.55	AVAILABLE
HM2H67P113LF	4.3	14.75	AVAILABLE
HM2H67P115LF	4.5	14.95	AVAILABLE
HM2H67P117LF	4.7	15.15	AVAILABLE
HM2H67P119LF	4.9	15.35	AVAILABLE
HM2H67P122LF	5.2	15.65	AVAILABLE
HM2H67P130LF	6.0	16.45	AVAILABLE

1DEC ±0.2 2DEC ±0.1 ANGLES ±1°	<b>APPR.</b>	<b>DATE</b>	<b>SIGN.</b>	MPACS 5R STR SHR TYPE AB 19 POS
WE RESERVE THE RIGHT TO CHANGE DIMENSIONS OR REQUIREMENTS WITHOUT PRIOR NOTICE.	DRAFT	11-06-99	N. O'tto	<b>CAT. No.</b> HM2H67P1--LF
	CHECKED			
	ALL DIMENSIONS IN MM	PROD. MGR.		
	PR. ENG. MGR.			www.fciconnect.com
	PR. MGT. MGR.			
	<b>REFERENCES</b>			
THIS IS OUR EXCLUSIVE PROPERTY. IT IS NOT TO BE COPIED, REPRINTED OR DISCLOSED TO A THIRD PARTY, NOR USED FOR MANUFACTURING WITHOUT OUR WRITTEN CONSENT, AND HAS TO BE RETURNED TO US IN CASE OF NO USAGE DIT IS ONZE EIGENDOM EN MAG NOCH NAGEMAAKT. HERDRUKT, OVERGEMAAKT AAN DERDEN, NOCH VOOR FABRIKATIE GEBRUIKT WORDEN, ZONDER ONZE SCHRIFTELIJKE TOELATING. BIJ NIET GEBRUIK IS TERUGZENDING VERPLICHT.	BS,C ,201630,043 DRAWING No. CUSTOMER DRAWING REVISION D		PDM: Rev:D STATUS: Released Printed: Dec 01, 2007	