

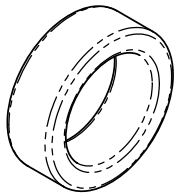
8 7 6 5 4 3 2 1

**NOTES:**

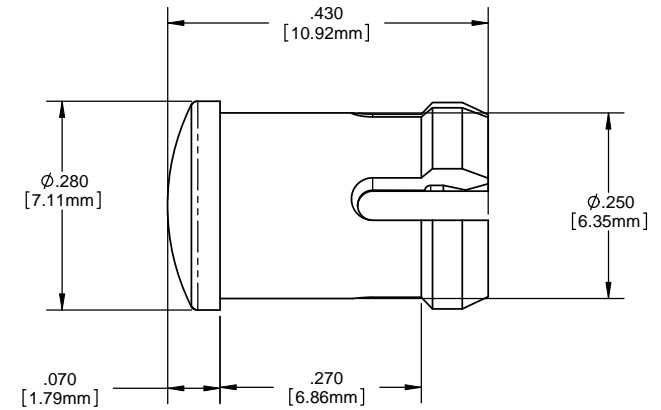
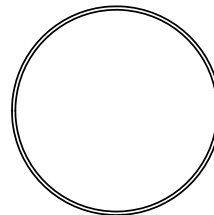
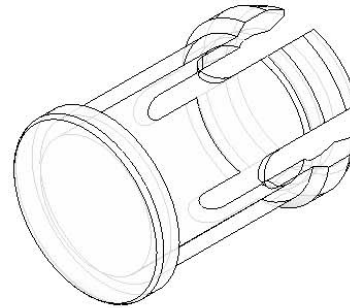
1. **MOUNTING:** Mounts in a  $\phi .250 \pm .002$  [ $\phi 6.35\text{mm} \pm .05$ ] panel hole on .375 [9.5mm] centers. Panel thickness .031 [.8 mm] to .250 [6.35mm]. Panel hole should be deburred, but not chamfered.
2. **ASSEMBLY:** Insert lens through panel hole, (for thin panels less than .188 [4.75mm] thick, slide SPC 125 spacer on back of lens), and insert LED into lens.
3. **MATERIAL:** Polycarbonate, UL 94-V2
4. U.S. & Foreign Pat. Issued & Pend.

REVISIONS				
ECN#	REV.	DESCRIPTION	DATE	INITIALS
	1	CHANGE LENS DESIGN FROM FRESNEL TO PLAIN, ADD UL RATING TO MATERIAL	1-7-10	KH
	001	REVISED PER ECR111009AZ01	4-23-10	SMU

SPACER  
(ORDER SEPARATELY)



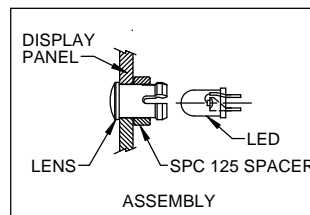
SPC 125



ORDERING CODE : **CLR 301 XXX**

MODEL

LENS COLOR	
RTP	RED TRANSPARENT
ATP	AMBER TRANSPARENT
GTP	GREEN TRANSPARENT
BTP	BLUE TRANSPARENT
YTP	YELLOW TRANSPARENT
CTP	CLEAR TRANSPARENT



<small>UNLESS OTHERWISE SPECIFIED DIMENSIONS ARE IN INCHES</small> ANGLES DECIMALS ±1 .X ±.020 .XX ±.010 .XXX ±.005 <small>BREAK ALL EDGES AND SHARP EDGES 90 DEG</small>	<b>MATERIAL</b> POLYCARBONATE, UL 94-V2	<b>VISUAL COMMUNICATIONS COMPANY, INC.</b> <small>190 Bosstick Boulevard, Suite 101 San Marcos, CA 92069 USA          Phone (760) 560-1300 Fax (760) 560-1301 email vccsales@vccite.com</small>	
	<b>FINISH</b> SEE NOTES	<b>TITLE: 5MM ROUND LOW PROFILE PLAIN LENS</b>	
<small>THIRD ANGLE PROJECTION</small> 	<b>APPROVAL</b> SMU <b>DATE</b> 4-23-10	<b>SIZE</b> DWG. NO. <b>B CLR 301 XXX</b>	<b>REV</b> <b>001</b>
<small>PROPRIETARY AND CONFIDENTIAL THE INFORMATION CONTAINED IN THIS DRAWING IS THE SOLE PROPERTY OF VISUAL COMMUNICATIONS COMPANY, INC. REPRODUCTION IN PART OR AS A WHOLE WITHOUT THE WRITTEN CONSENT OF VISUAL COMMUNICATIONS COMPANY, INC. IS PROHIBITED.</small>	<b>CHECKED:</b> DZ <b>DATE:</b> 4-23-10 <small>DO NOT SCALE DRAWING</small>	<b>SCALE:</b> 1:1 <b>SHEET 1 OF 1</b>	

8 7 6 5 4 3 2 1