

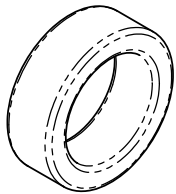
8 7 6 5 4 3 2 1

**NOTES:**

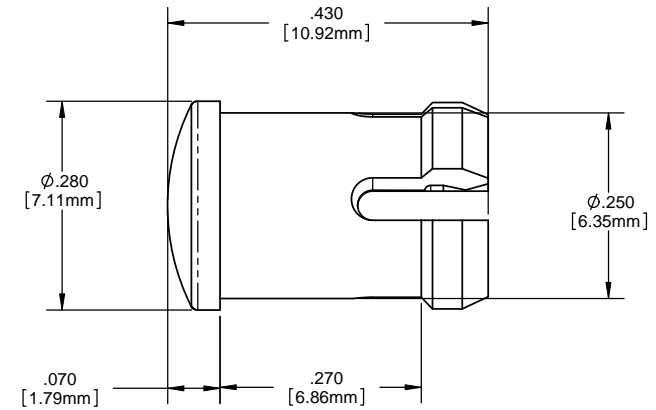
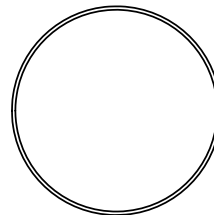
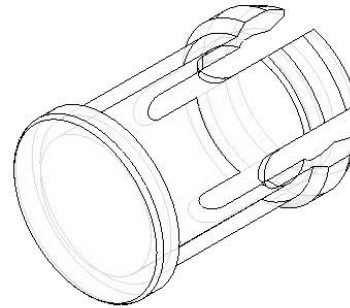
1. **MOUNTING:** Mounts in a  $\phi .250 \pm .002$  [ $\phi 6.35\text{mm} \pm .05$ ] panel hole on .375 [9.5mm] centers. Panel thickness .031 [.8 mm] to .250 [6.35mm]. Panel hole should be deburred, but not chamfered.
2. **ASSEMBLY:** Insert lens through panel hole, (for thin panels less than .188 [4.75mm] thick, slide SPC 125 spacer on back of lens), and insert LED into lens.
3. **MATERIAL:** Polycarbonate, UL 94-V2
4. U.S. & Foreign Pat. Issued & Pend.

REVISIONS				
ECN#	REV.	DESCRIPTION	DATE	INITIALS
	1	CHANGE LENS DESIGN FROM FRESNEL TO PLAIN, ADD UL RATING TO MATERIAL	1-7-10	KH
	001	REVISED PER ECR111009AZ01	4-23-10	SMU

SPACER  
(ORDER SEPARATELY)



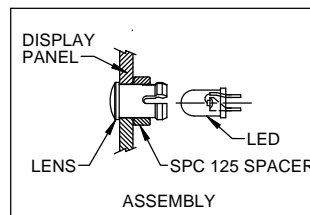
SPC 125



ORDERING CODE : **CLR 301 XXX**

MODEL

LENS COLOR	
RTP	RED TRANSPARENT
ATP	AMBER TRANSPARENT
GTP	GREEN TRANSPARENT
BTP	BLUE TRANSPARENT
YTP	YELLOW TRANSPARENT
CTP	CLEAR TRANSPARENT



<small>UNLESS OTHERWISE SPECIFIED DIMENSIONS ARE IN INCHES</small> ANGLES DECIMALS ±1 .X ±.020 .XX ±.010 .XXX ±.005 <small>BREAK ALL EDGES AND SHARP EDGES 90 DEG</small>	<b>MATERIAL</b> POLYCARBONATE, UL 94-V2	<b>VISUAL COMMUNICATIONS COMPANY, INC.</b> <small>190 Bosstick Boulevard, Suite 101 San Marcos, CA 92069 USA          Phone (760) 560-1300 Fax (760) 560-1301 email vccsales@vccite.com</small>	
	<b>FINISH</b> SEE NOTES	<b>TITLE: 5MM ROUND LOW PROFILE PLAIN LENS</b>	
<small>THIRD ANGLE PROJECTION</small> <small>THE INFORMATION CONTAINED IN THIS DRAWING IS THE SOLE PROPERTY OF VISUAL COMMUNICATIONS COMPANY, INC. AND IS LOANED TO YOU AS A SINGLE COPY. IT IS NOT TO BE REPRODUCED OR TRANSMITTED IN ANY FORM OR BY ANY MEANS, ELECTRONIC OR MECHANICAL, INCLUDING PHOTOCOPYING, RECORDING, OR BY ANY INFORMATION STORAGE AND RETRIEVAL SYSTEM.</small>	<b>APPROVAL</b> SMU DATE 4-23-10	<b>SIZE</b> <b>B</b>	<b>DWG. NO.</b> <b>CLR 301 XXX</b>
<b>CHECKED:</b> DZ DATE 4-23-10	<b>SCALE:</b> 1:1	<b>REV</b> <b>001</b>	<b>SHEET 1 OF 1</b>
<small>DO NOT SCALE DRAWING</small>			

8 7 6 5 4 3 2 1