

A

B

C

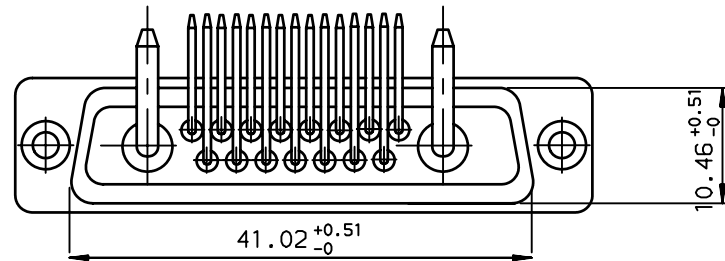
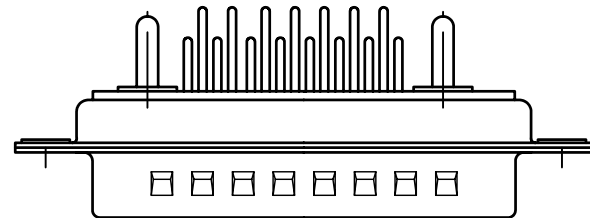
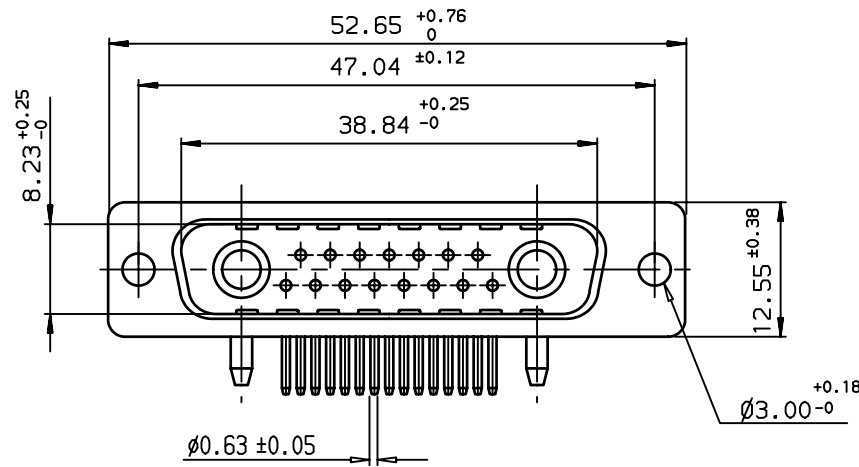
D

A

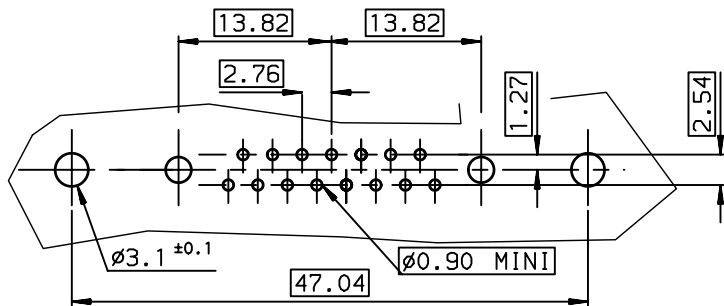
B

C

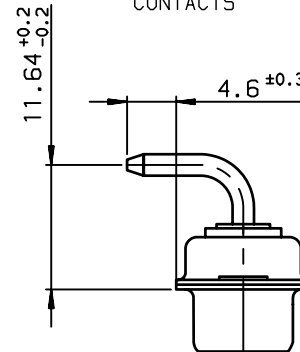
D



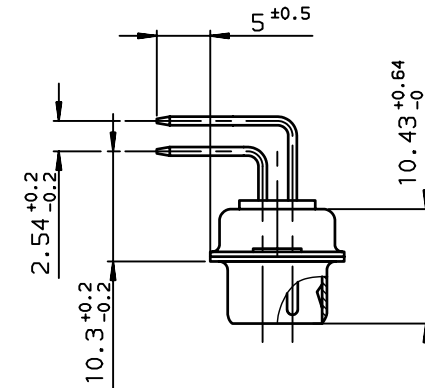
LAYOUT DIMENSIONS (after plating)
CONNECTOR SIDE VIEW



VIEW WITH POWERS CONTACTS



VIEW WITHOUT POWERS CONTACTS



TIN LEAD PART NUMBER

DB17W2P500A30
PART NUMBER

LEAD FREE PART NUMBER

DB17W2P500A30LF
PART NUMBER

GENERAL CHARACTERISTICS AND ROHS INFORMATIONS:
SEE DRAWING C01-8639-0001

European Views

www.fciconnect.com		surface ISO 1302 ✓	tolerance std ISO 406 ISO 1101	projection mm	size A3	Scale 2
TOLERANCES UNLESS OTHERWISE SPECIFIED				0.X ±0.1	0.XX ±0.1	0.XXX ±0.1
Dr	JARRY	2001/01/09	ANGULAR	LINEAR	ECN	LS06-0095
Eng	PESSON	2001/01/09	0.XX' ±2'		Spec ref	-
Chr	LEGARE	2001/01/09		Product family	D-SUB	
Appr	LEGARE	2001/01/09				
FCI		PIN CONNECTOR FOR POWERS CONTACTS			dwg no C01-8639-1811	Rev. D
catalog no		-			CUSTOMER	sheet 1 of 1

rev	ecn no	dr	date
B	-	DEB	2003/10/01
C	LS05-001	MPE	2005/03/09
D	LS06-0095	LGO	2006/06/27
-	-	-	-
-	-	-	-
-	-	-	-



Copyright FCI.