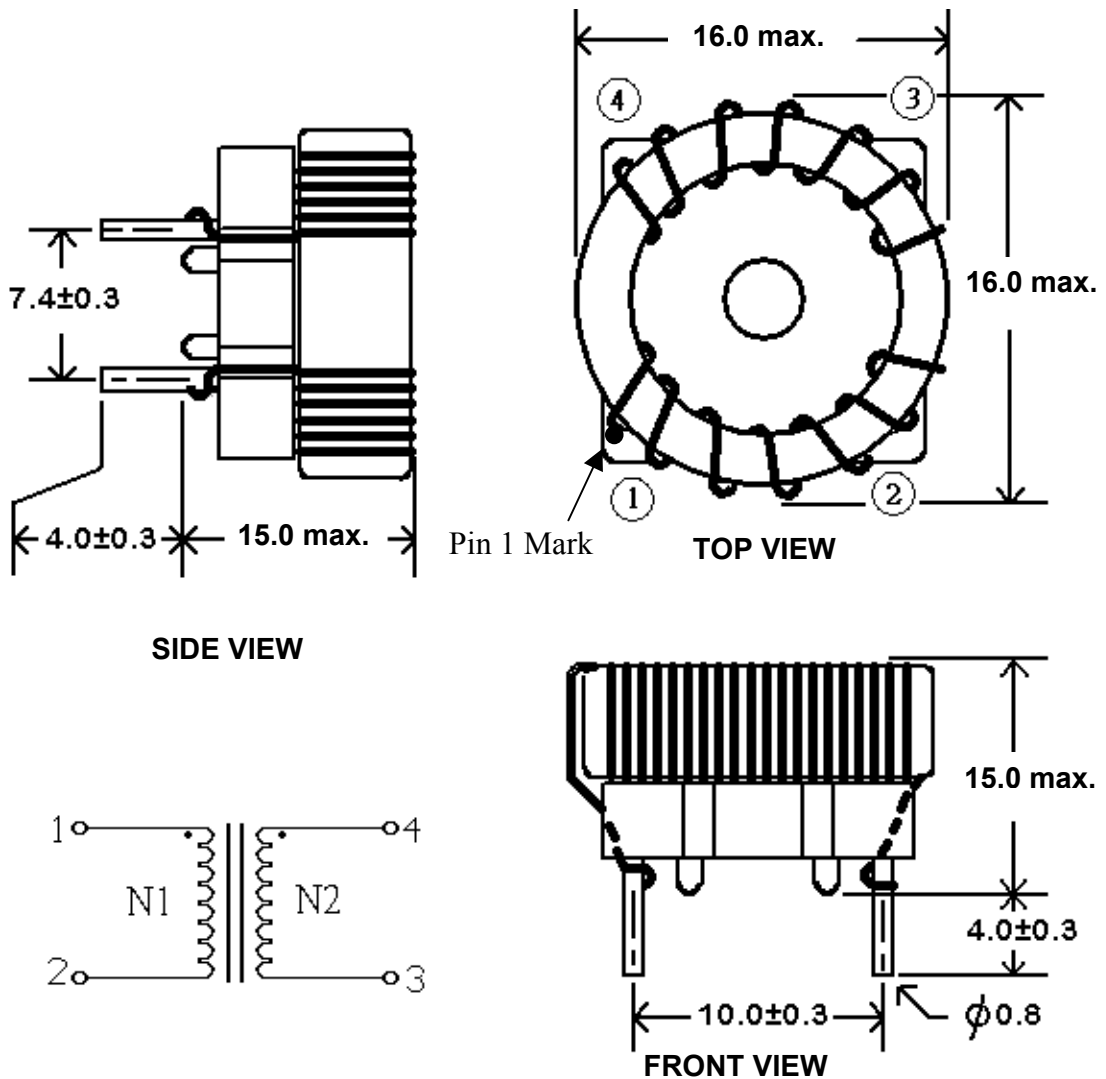


TCK-067



All dimensions in mm

SPECIFICATIONS

Inductance	Pin 1-2: $620\mu\text{H} \pm 35\%$	Pin 3-4: $620\mu\text{H} \pm 35\%$
	Test Condition: 100KHz/100mV Measurement Instrument: HP 4263B LCR Meter	
Impedance	DCR (Max): $25\text{m}\Omega$	
	Measurement Instrument: HIOKI 3540 mΩ Hitester	
Rated Current	IDC (Max): 7.5A	
	Measurement Instrument: Agilent 34401A Meter	
Rated Voltage	500VDC	
Operating Temperature	$-40^\circ\text{C} - +105^\circ\text{C}$	
Recommended Through Hole	$\Phi 1.0$ mm	

Mouser Electronics

Authorized Distributor

Click to View Pricing, Inventory, Delivery & Lifecycle Information:

[TRACO Power:](#)

[TCK-067](#)