

# 91MCE1 NOMENCLATURE TREE

91MCE 1- S 1 B Q

**Connector**  
Q 4-Pin M12 Connector

**Modifications**  
B Bottom Exit  
P Plastic Lever/Plastic Roller

**Cable Length: (Side Exit)**

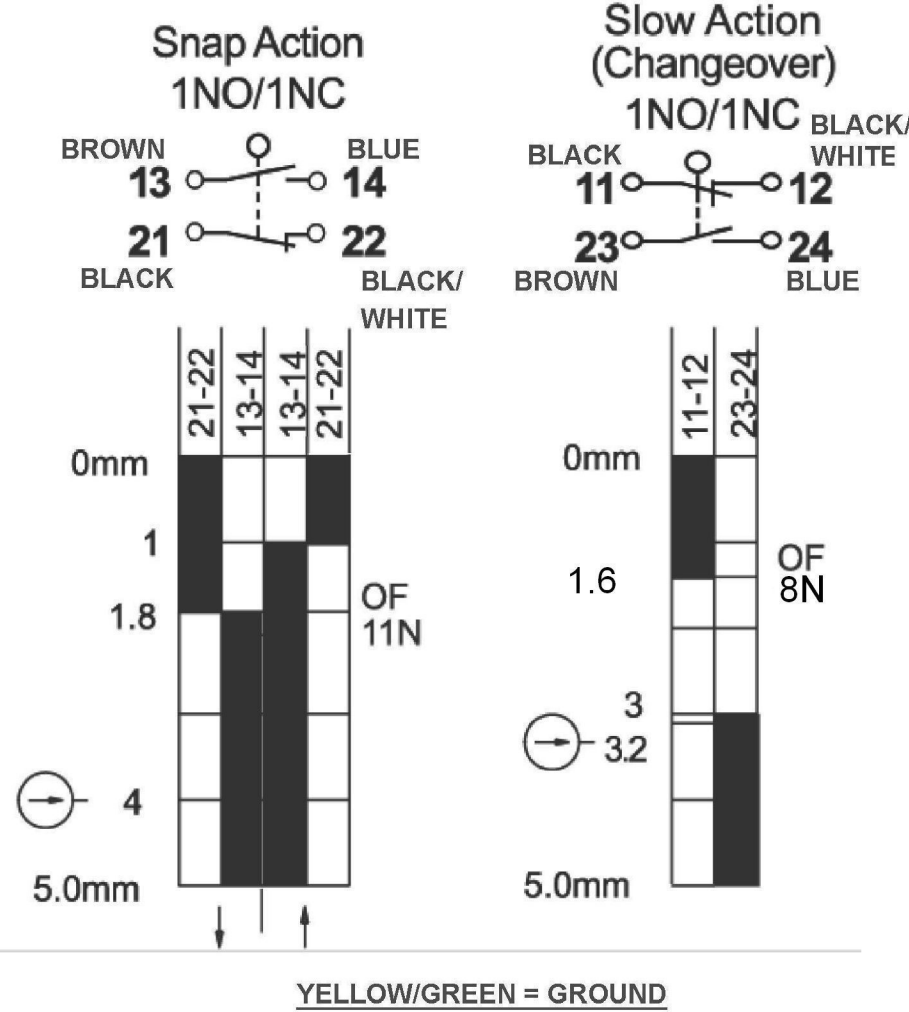
1	1 Meter cable length
2	2 Meter cable length
3	3 Meter cable length
5	5 Meter cable length

**Switch Type**  
P 1NO/1NC Direct Acting, Snap Action  
S 1NC/1NO Direct Acting, Break-before-Make

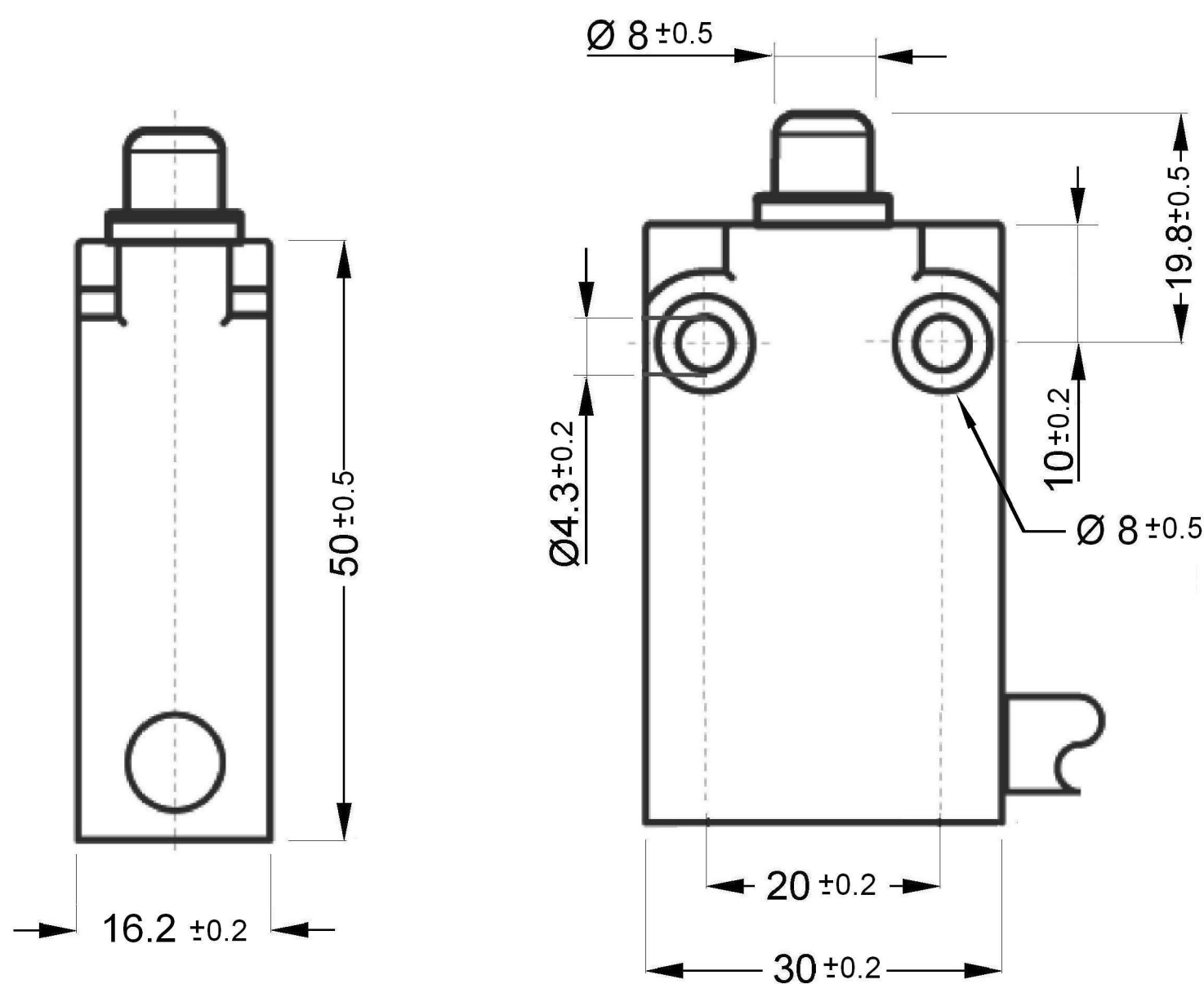
**Actuators**  
1 Pin Plunger

91MCE Series - Base  
Miniature Compact Enclosed Switches

## OPERATING CHARACTERISTICS



**"Q" OPTION**  
PIN 1 & 2 - NORMALLY CLOSED  
PIN 3 & 4 - NORMALLY OPEN



- NOTES:**
- DIE CAST HOUSING FINISHED IN BLACK PAINT.

## SPECIFICATIONS

Operating Speed	0.05mm-1m/sec
Operating Frequency	Mechanical: 120ops/min Electrical: 30 ops/min
Insulation Resistance	>100MΩ@500V DC
Contact Resistance	<25mΩ
Rated Voltage	300V AC (EN60947-5-1)
Rated Thermal Current	Pre-leaded 10A- 3A Connector
Electrical Rating	AC15 A300 DC13 Q300
Dielectric Strength	1000VAC for 1 min between current carrying parts 2500VAC for 1 min between non-current carrying parts
Service Life	Mechanically 5 x10 <sup>7</sup> (operations)
Operating Temperature	-25~+85°C without formation of ice
Humidity	< 95%RH
Cable	5 core, 0.75mm <sup>2</sup> (18AWG)
Degree of Protection	IP67

## ELECTRICAL RATINGS

IEC 60947-5-1 / EN 90947-5-1			
Designation & Utilization Category	Rated operational current Ie (A) at rated operational voltage Ue		VA rating
	120V	240V	Make Break
AC15 A300	6	3	7200 720
DC13 Q300	0.55	0.27	69 69

UNLESS OTHERWISE SPECIFIED

TOLERANCES ARE  
+/- 0.15

**APPROVALS**

UL US CE CCC

DESIGN UNITS: mm	DRAWN	BS	02APR07	<b>Honeywell</b>
TOLERANCES UNLESS NOTED:	CHECK	PSR	02APR07	
NO PLACE .X ± 0.040	THIS DRAWING COVERS A PROPRIETARY ITEM AND IS THE PROPERTY OF HONEYWELL. THIS DRAWING IS NOT TO BE COPIED OR USED WITHOUT THE PERMISSION OF HONEYWELL.			TITLE
ONE PLACE .X ± 0.030				COMPACT PRECISION LIMIT SWITCH
TWO PLACE .XX ± 0.015				SIZE
THREE PLACE .XXX ± 0.005	INTERPRET PER ASME Y14.5M-1994 OTHER HONEYWELL ENGINEERING STANDARDS MAY APPLY			C I
FOUR PLACE .XXXX ± 0.0005				DRAWING NAME
ANGLES ± 2	RASTER			91MCE1 SERIES CHART1
				REV
				B
				SCALE
				-
				SHEET
				1 OF 1