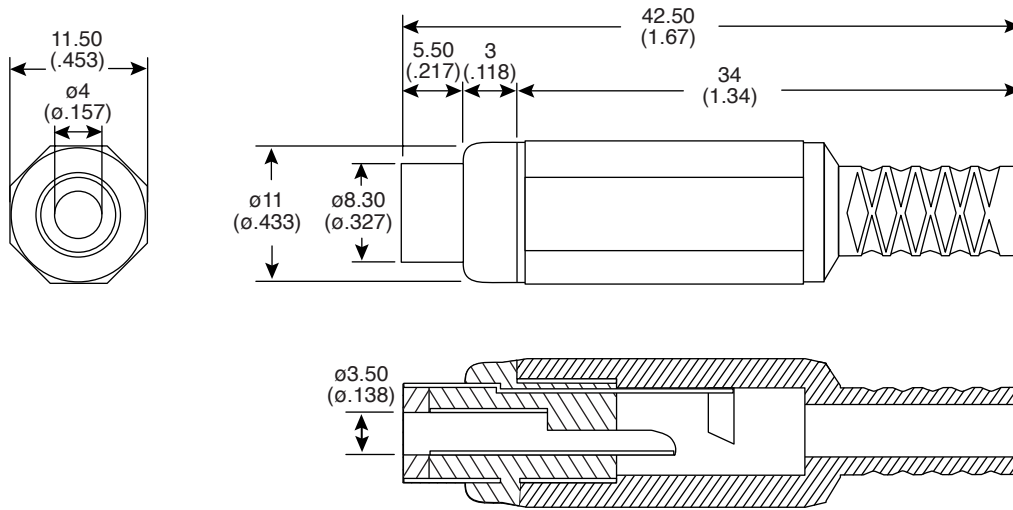


RCA Jacks



161-0151-E, 161-0152-E, 161-0153-E, 161-0154-E

RCA Jacks



Dimensions: mm (In)

| MOUSER STOCK NO. | Color |
|------------------|--------|
| 161-0151-E | Red |
| 161-0152-E | Black |
| 161-0153-E | White |
| 161-0154-E | Yellow |

| SPECIFICATIONS | |
|------------------------|-----------------------------|
| Center Contact: | Nickel Plated Brass |
| Housing: | PE |
| Insulator: | ABS |
| Contact Resistance: | 30m Ω max. |
| Insulation Resistance: | 100M Ω min. @ 500VDC |
| Dielectric Strength: | 250VAC for 1 Minute |
| Insertion Force: | 3N max. |
| Extraction Force: | 0.1-3N |
| RoHS Compliant | |

161-0151-E, 161-0152-E, 161-0153-E, 161-0154-E

Date Last Revised: 12-22-05

Available from Mouser Electronics
1-800-346-6873
www.mouser.com

KC-300924