

2M x 16Bits x 4Banks Mobile DDR SDRAM

Description

The IS43/46LR16800G is 134,217,728 bits CMOS Mobile Double Data Rate Synchronous DRAM organized as 4 banks of 2,097,152 words x 16 bits. This product uses a double-data-rate architecture to achieve high-speed operation. The Data Input/ Output signals are transmitted on a 16-bit bus. The double data rate architecture is essentially a 2N prefetch architecture with an interface designed to transfer two data words per clock cycle at the I/O pins. This product offers fully synchronous operations referenced to both rising and falling edges of the clock. The data paths are internally pipelined and 2n-bits prefetched to achieve very high bandwidth. All input and output voltage levels are compatible with LVCMOS.

Features

- JEDEC standard 1.8V power supply.
- VDD = 1.8V, VDDQ = 1.8V
- Four internal banks for concurrent operation
- MRS cycle with address key programs
 - CAS latency 2, 3 (clock)
 - Burst length (2, 4, 8, 16)
 - Burst type (sequential & interleave)
- Fully differential clock inputs (CK, /CK)
- All inputs except data & DM are sampled at the rising edge of the system clock
- Data I/O transaction on both edges of data strobe
- Bidirectional data strobe per byte of data (DQS)
- DM for write masking only
- Edge aligned data & data strobe output
- Center aligned data & data strobe input
- 64ms refresh period (4K cycle)
- Auto & self refresh
- Concurrent Auto Precharge
- Maximum clock frequency up to 200MHZ
- Maximum data rate up to 400Mbps/pin
- Power Saving support
 - PASR (Partial Array Self Refresh)
 - Auto TCSR (Temperature Compensated Self Refresh)
 - Deep Power Down Mode
 - Programmable Driver Strength Control by Full Strength or $\frac{3}{4}$, $\frac{1}{2}$, $\frac{1}{4}$, $\frac{1}{8}$ of Full Strength
- LVCMOS compatible inputs/outputs
- 60-Ball FBGA package

Copyright © 2015 Integrated Silicon Solution, Inc. All rights reserved. ISSI reserves the right to make changes to this specification and its products at any time without notice. ISSI assumes no liability arising out of the application or use of any information, products or services described herein. Customers are advised to obtain the latest version of this device specification before relying on any published information and before placing orders for products.

Integrated Silicon Solution, Inc. does not recommend the use of any of its products in life support applications where the failure or malfunction of the product can reasonably be expected to cause failure of the life support system or to significantly affect its safety or effectiveness. Products are not authorized for use in such applications unless Integrated Silicon Solution, Inc. receives written assurance to its satisfaction, that:

- a.) the risk of injury or damage has been minimized;
- b.) the user assume all such risks; and
- c.) potential liability of Integrated Silicon Solution, Inc is adequately protected under the circumstances

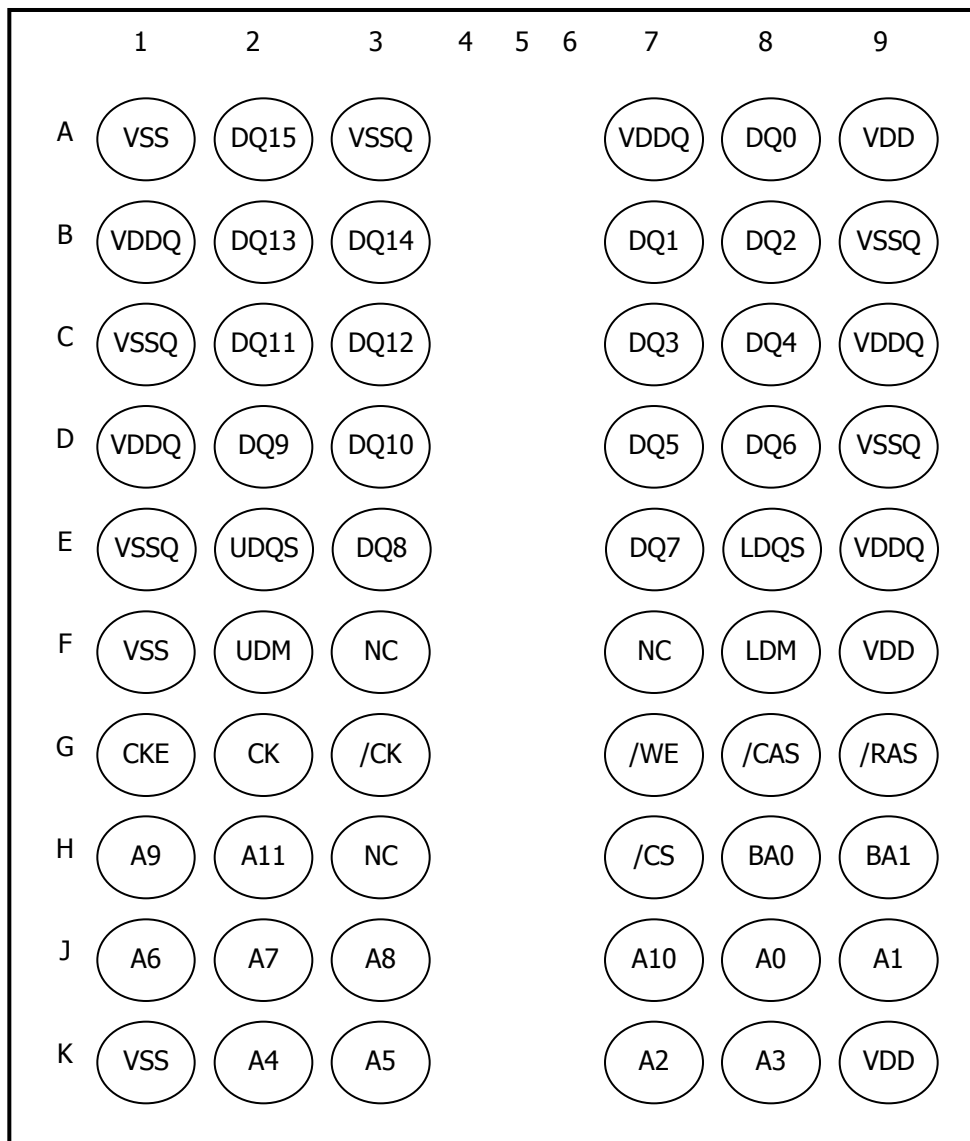
Figure1: 60Ball FBGA Ball Assignment

[Top View]

Table2 : Pin Descriptions

| Symbol | Type | Function | Descriptions |
|-----------------|-----------|---|---|
| CK, /CK | Input | System Clock | The system clock input. CK and /CK are differential clock inputs. All address and control input signals are registered on the crossing of the rising edge of CK and falling edge of /CK. Input and output data is referenced to the crossing of CK and /CK. |
| CKE | Input | Clock Enable | CKE is clock enable controls input. CKE HIGH activates, and CKE LOW deactivates internal clock signals, and device input buffers and output drivers. CKE is synchronous for all functions except for SELF REFRESH EXIT, which is achieved asynchronously. |
| /CS | Input | Chip Select | /CS enables (registered Low) and disables (registered High) the command decoder. All commands are masked when /CS IS REGISTERED high. /CS provides for external bank selection on systems with multiple banks. /CS is considered part of the command code. |
| BA0, BA1 | Input | Bank Address | BA0 and BA1 define to which bank an ACTIVE, READ, WRITE, or PRECHARGE command is being applied. BA0 and BA1 also determine which mode register (standard mode register or extended mode register) is loaded during a LOAD MODE REGISTER command. |
| A0~A11 | Input | Address | Row Address : RA0~RA11 Column Address : CA0~CA8 Auto Precharge : A10 |
| /RAS, /CAS, /WE | Input | Row Address Strobe, Column Address Strobe, Write Enable | /RAS, /CAS and /WE define the operation. Refer function truth table for details. |
| LDM, UDM | Input | Data Input Mask | DM is an input mask signal for write data. Input data is masked when DM is sampled HIGH along with that input data during a WRITE access. DM is sampled on both edges of DQS. Although DM balls are input-only. |
| DQ0~DQ15 | In/Output | Data Input/Output | Data input/output pin. |
| LDQS, UDQS | In/Output | Data Input/Output Strobe | Output with read data, input with write data. DQS is edge-aligned with read data, centered in write data. Data strobe is used to capture data. |
| VDD | Supply | Power Supply | Power supply |
| VSS | Supply | Ground | Ground |
| VDDQ | Supply | DQ Power Supply | Power supply for DQ |
| VSSQ | Supply | DQ Ground | Ground for DQ |
| NC | NC | No Connection | No connection. |

Figure2 : Functional Block Diagram

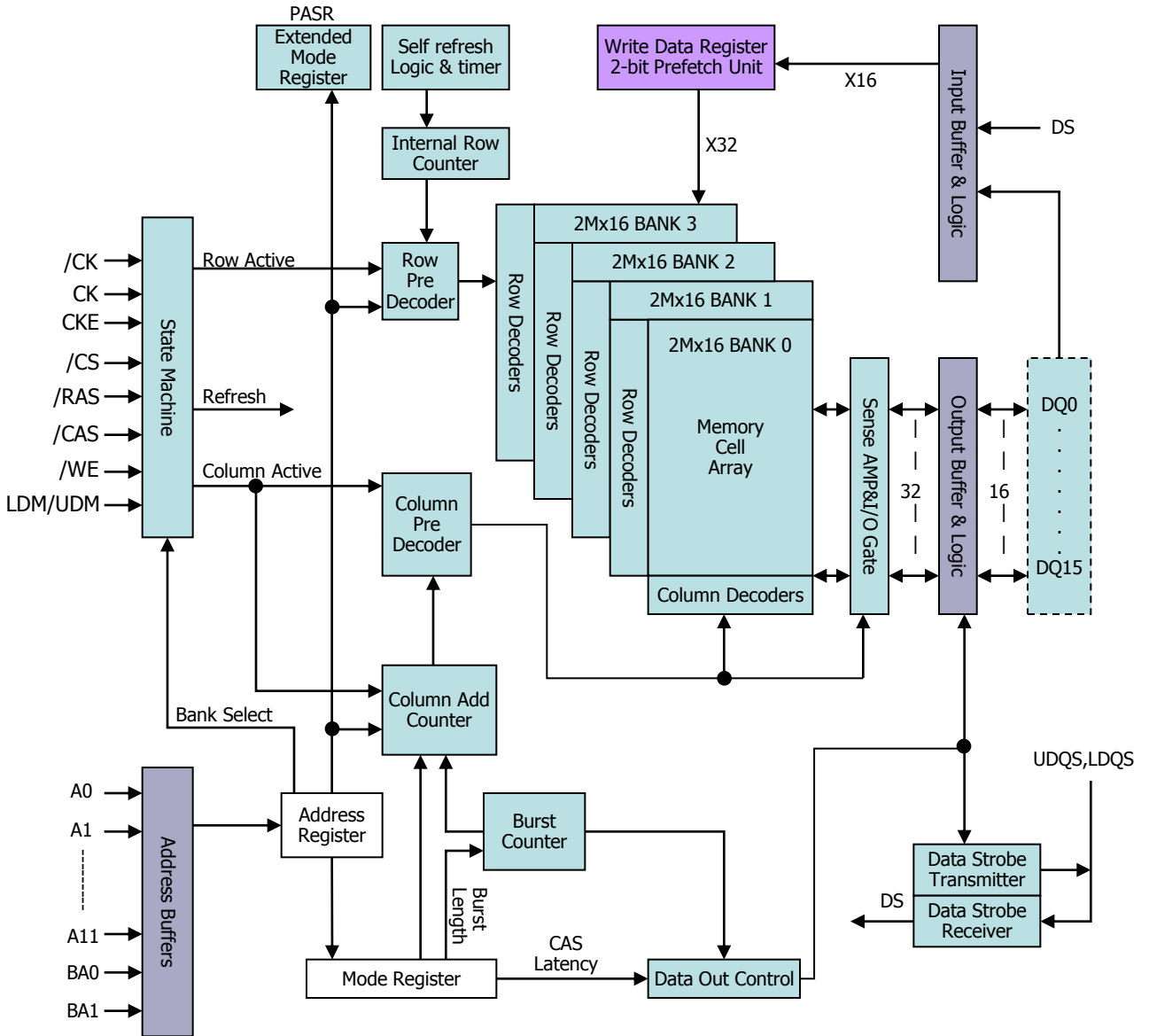
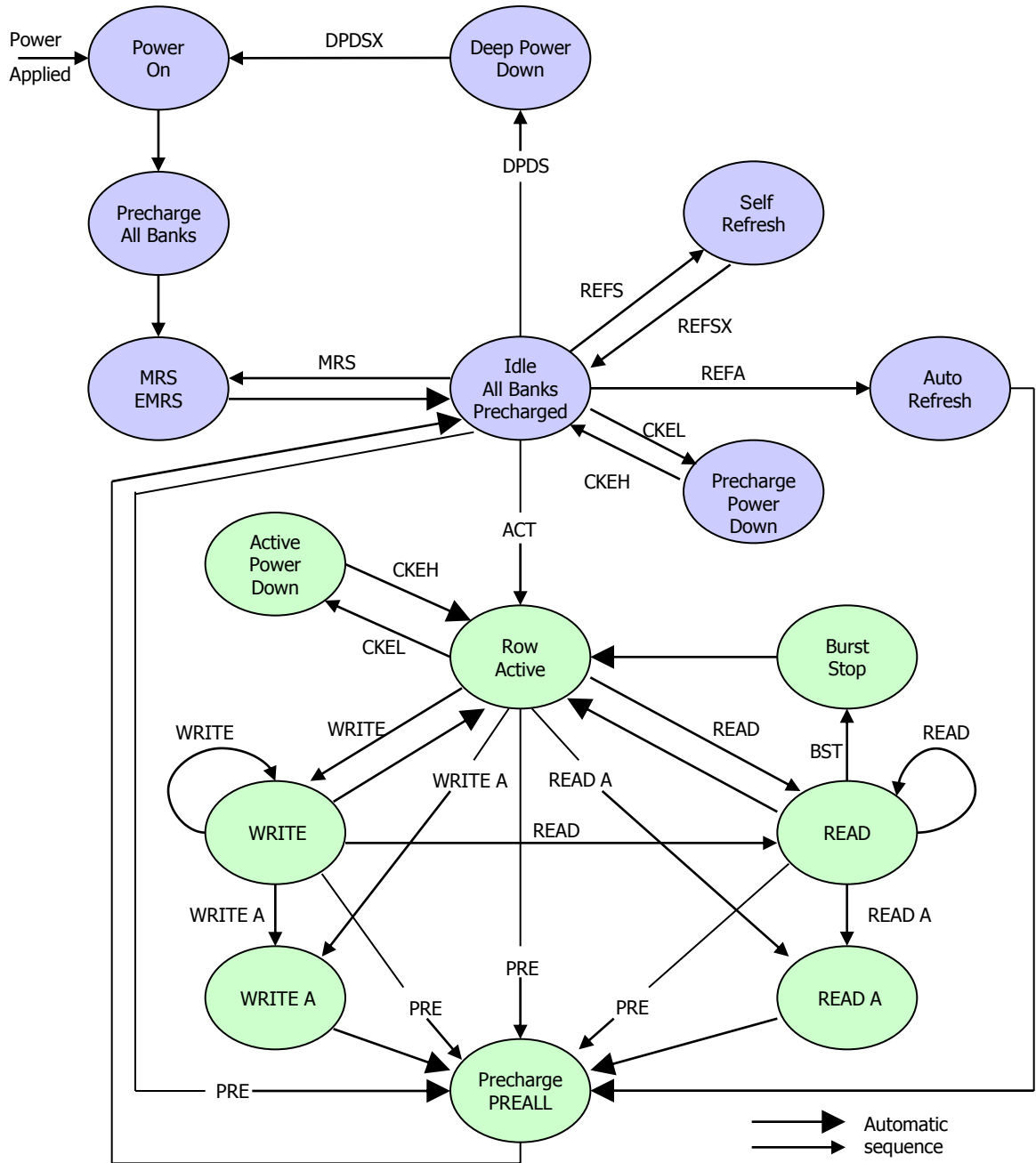
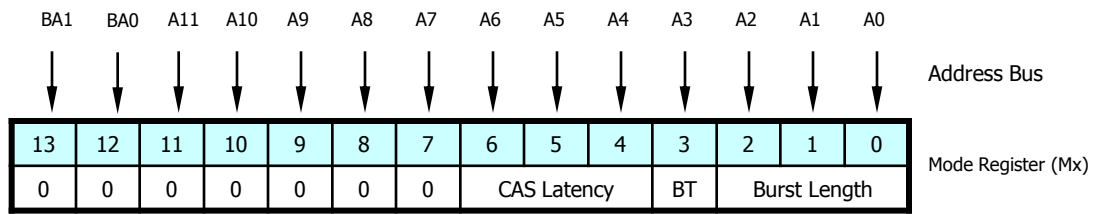


Figure3 : Simplified State Diagram



ACT = Active
 BST = Burst
 CKEL = Enter Power- Down
 CKEH = Exit Power-Down
 DPDS = Enter Deep Power-Down
 DPDSX = Exit Deep Power- Down
 EMRS = Ext. Mode Reg. Set
 MRS = Mode Register Set
 PRE = Precharge

PREALL= Precharge All Banks
 REFA = Auto Refresh
 REFS = Enter Self Refresh
 REFSX = Exit Self Refresh
 READ = Read w/o Auto Precharge
 READ A = Read with Auto Precharge
 WRITE = Write w/o Auto Precharge
 WRITE A = Write with Auto Precharge

Figure4 : Mode Register Set (MRS) Definition


| M6 | M5 | M4 | CAS Latency |
|----|----|----|-------------|
| 0 | 0 | 0 | Reserved |
| 0 | 0 | 1 | Reserved |
| 0 | 1 | 0 | 2 |
| 0 | 1 | 1 | 3 |
| 1 | 0 | 0 | Reserved |
| 1 | 0 | 1 | Reserved |
| 1 | 1 | 0 | Reserved |
| 1 | 1 | 1 | Reserved |

| M3 | Burst Type |
|----|------------|
| 0 | Sequential |
| 1 | Interleave |

| M2 | M1 | M0 | Burst Length | |
|----|----|----|--------------|----------|
| | | | M3 = 0 | M3 = 1 |
| 0 | 0 | 0 | Reserved | Reserved |
| 0 | 0 | 1 | 2 | 2 |
| 0 | 1 | 0 | 4 | 4 |
| 0 | 1 | 1 | 8 | 8 |
| 1 | 0 | 0 | 16 | 16 |
| 1 | 0 | 1 | Reserved | Reserved |
| 1 | 1 | 0 | Reserved | Reserved |
| 1 | 1 | 1 | Reserved | Reserved |

Note: M13(BA1) and M12(BA0) must be set to "0" to select Mode Register (vs. the Extended Mode Register)

Burst Type

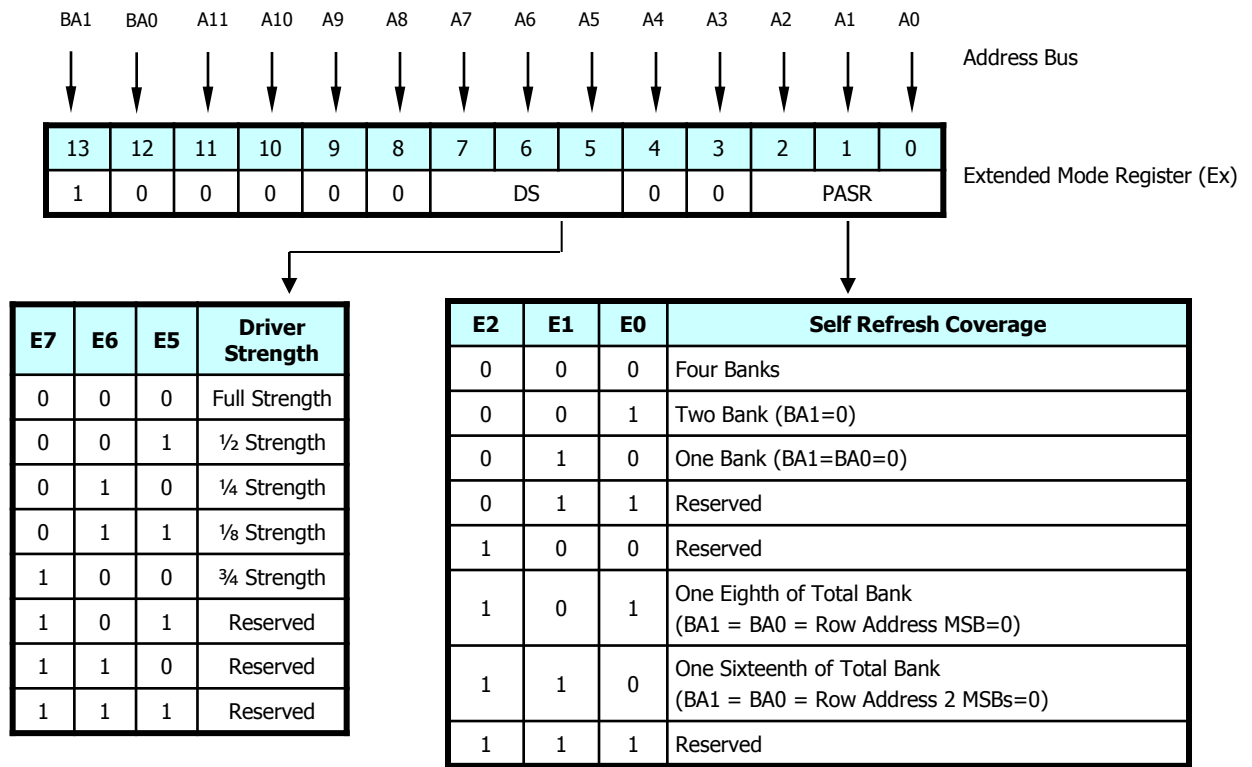
Accesses within a given burst may be programmed to be either sequential or interleaved; this is referred to as the burst type and is selected via bit M3. The ordering of accesses within a burst is determined by the burst length, the burst type and the starting column address, as shown in Table 3.

Table3 : Burst Definition

| Burst Length | Starting Column Address | | | | Order of Access within a Burst | |
|--------------|-------------------------|----|----|----|---------------------------------------|---------------------------------------|
| | A3 | A2 | A1 | A0 | Sequential Mode | Interleave Mode |
| 2 | x | x | x | 0 | 0-1 | 0-1 |
| | x | x | x | 1 | 1-0 | 1-0 |
| 4 | x | x | 0 | 0 | 0-1-2-3 | 0-1-2-3 |
| | x | x | 0 | 1 | 1-2-3-0 | 1-0-3-2 |
| | x | x | 1 | 0 | 2-3-0-1 | 2-3-0-1 |
| | x | x | 1 | 1 | 3-0-1-2 | 3-2-1-0 |
| 8 | x | 0 | 0 | 0 | 0-1-2-3-4-5-6-7 | 0-1-2-3-4-5-6-7 |
| | x | 0 | 0 | 1 | 1-2-3-4-5-6-7-0 | 1-0-3-2-5-4-7-6 |
| | x | 0 | 1 | 0 | 2-3-4-5-6-7-0-1 | 2-3-0-1-6-7-4-5 |
| | x | 0 | 1 | 1 | 3-4-5-6-7-0-1-2 | 3-2-1-0-7-6-5-4 |
| | x | 1 | 0 | 0 | 4-5-6-7-0-1-2-3 | 4-5-6-7-0-1-2-3 |
| | x | 1 | 0 | 1 | 5-6-7-0-1-2-3-4 | 5-4-7-6-1-0-3-2 |
| | x | 1 | 1 | 0 | 6-7-0-1-2-3-4-5 | 6-7-4-5-2-3-0-1 |
| | x | 1 | 1 | 1 | 7-0-1-2-3-4-5-6 | 7-6-5-4-3-2-1-0 |
| 16 | 0 | 0 | 0 | 0 | 0-1-2-3-4-5-6-7-8-9-10-11-12-13-14-15 | 0-1-2-3-4-5-6-7-8-9-10-11-12-13-14-15 |
| | 0 | 0 | 0 | 1 | 1-2-3-4-5-6-7-8-9-10-11-12-13-14-15-0 | 1-0-3-2-5-4-7-6-9-8-11-10-13-12-15-14 |
| | 0 | 0 | 1 | 0 | 2-3-4-5-6-7-8-9-10-11-12-13-14-15-0-1 | 2-3-0-1-6-7-4-5-10-11-8-9-14-15-12-13 |
| | 0 | 0 | 1 | 1 | 3-4-5-6-7-8-9-10-11-12-13-14-15-0-1-2 | 3-2-1-0-7-6-5-4-11-10-9-8-15-14-13-12 |
| | 0 | 1 | 0 | 0 | 4-5-6-7-8-9-10-11-12-13-14-15-0-1-2-3 | 4-5-6-7-0-1-2-3-12-13-14-15-8-9-10-11 |
| | 0 | 1 | 0 | 1 | 5-6-7-8-9-10-11-12-13-14-15-0-1-2-3-4 | 5-4-7-6-1-0-3-2-13-12-15-14-9-8-11-10 |
| | 0 | 1 | 1 | 0 | 6-7-8-9-10-11-12-13-14-15-0-1-2-3-4-5 | 6-7-4-5-2-3-0-1-14-15-12-13-10-11-8-9 |
| | 0 | 1 | 1 | 1 | 7-8-9-10-11-12-13-14-15-0-1-2-3-4-5-6 | 7-6-5-4-3-2-1-0-15-14-13-12-11-10-9-8 |
| | 1 | 0 | 0 | 0 | 8-9-10-11-12-13-14-15-0-1-2-3-4-5-6-7 | 8-9-10-11-12-13-14-15-0-1-2-3-4-5-6-7 |
| | 1 | 0 | 0 | 1 | 9-10-11-12-13-14-15-0-1-2-3-4-5-6-7-8 | 9-8-11-10-13-12-15-14-1-0-3-2-5-4-7-6 |
| | 1 | 0 | 1 | 0 | 10-11-12-13-14-15-0-1-2-3-4-5-6-7-8-9 | 10-11-8-9-14-15-12-13-2-3-0-1-6-7-4-5 |
| | 1 | 0 | 1 | 1 | 11-12-13-14-15-0-1-2-3-4-5-6-7-8-9-10 | 11-10-9-8-15-14-13-12-3-2-1-0-7-6-5-4 |
| | 1 | 1 | 0 | 0 | 12-13-14-15-0-1-2-3-4-5-6-7-8-9-10-11 | 12-13-14-15-8-9-10-11-4-5-6-7-0-1-2-3 |
| | 1 | 1 | 0 | 1 | 13-14-15-0-1-2-3-4-5-6-7-8-9-10-11-12 | 13-12-15-14-9-8-11-10-5-4-7-6-1-0-3-2 |
| | 1 | 1 | 1 | 0 | 14-15-0-1-2-3-4-5-6-7-8-9-10-11-12-13 | 14-15-12-13-10-11-8-9-6-7-4-5-2-3-0-1 |
| | 1 | 1 | 1 | 1 | 15-0-1-2-3-4-5-6-7-8-9-10-11-12-13-14 | 15-14-13-12-11-10-9-8-7-6-5-4-3-2-1-0 |

Note :

1. For a burst length of two, A1-A8 select the block of two burst; A0 selects the starting column within the block.
2. For a burst length of four, A2-A8 select the block of four burst; A0-A1 select the starting column within the block.
3. For a burst length of eight, A3-A8 select the block of eight burst; A0-A2 select the starting column within the block.
4. For a burst length of sixteen, A4-A8 select the block of eight burst; A0-A3 select the starting column within the block.
5. Whenever a boundary of the block is reached within a given sequence above, the following access wraps within the block.

Figure5 : Extended Mode Set (EMRS) Register


Note: E13(BA1)=1 and E12(BA0)=0 to select Extended Mode Register (vs. the base Mode Register)

Functional Description

The 128Mb Mobile DDR SDRAM is a high-speed CMOS, dynamic random-access memory containing 134,271,728-bits. It is internally configured as a quad-bank DRAM. The 128Mb Mobile DDR SDRAM uses a double data rate architecture to achieve high speed operation. The double data rate architecture is essentially a 2n-prefetch architecture, with an interface designed to transfer two data words per clock cycle at the I/O balls, single read or write access for the 128Mb Mobile DDR SDRAM consists of a single 2n-bit wide, one-clock-cycle data transfer at the internal DRAM core and two corresponding n-bit wide, one-half-clock-cycle data transfers at the I/O balls.

Read and Write accesses to the Mobile DDR SDRAM are burst oriented; accesses start at a selected location and continue for a programmed number of locations in a programmed sequence. Accesses begin with the registration of an ACTIVE command, which is then followed by a READ or WRITE command. The address bits registered coincident with the ACTIVE command are used to select the bank and row to be accessed (BA0, BA1 select the bank; A0–A11 select the row). The address bits registered coincident with the READ or WRITE command are used to select the starting column location for the burst access.

It should be noted that the DLL signal that is typically used on standard DDR devices is not necessary on the Mobile DDR SDRAM. It has been omitted to save power.

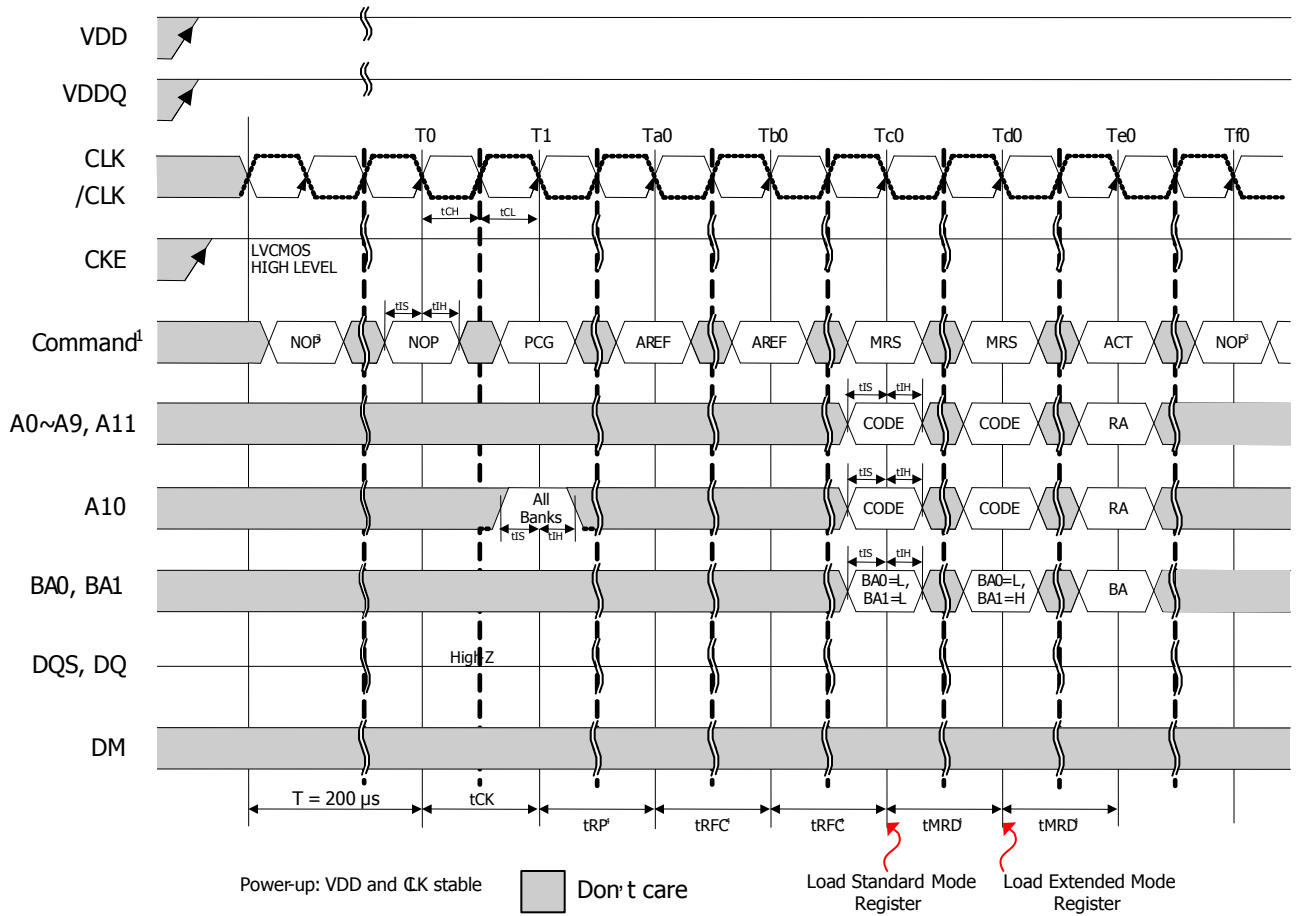
Prior to normal operation, the Mobile DDR SDRAM must be powered up and initialized. The following sections provide detailed information covering device initialization, register definition, command descriptions and device operation.

Power up and Initialization

Mobile DDR SDRAM must be powered up and initialized in a predefined manner. Power must be applied to VDD and VDDQ (simultaneously). After power up, an initial pause of 200 usec is required. And a precharge all command will be issued to the Mobile DDR. Then, 2 or more Auto refresh cycles will be provided. After the Auto refresh cycles are completed, a Mode Register Set(MRS) command will be issued to program the specific mode of operation (Cas Latency, Burst length, etc.) And a Extended Mode Register Set(EMRS) command will be issued to Partial Array Self Refresh(PASR). The following these cycles, the Mobile DDR SDRAM is ready for normal operation. To ensure device functionality, there is a predefined sequence that must occur at device power up or if there is any interruption of device power.

To properly initialize the Mobile DDR SDRAM, this sequence must be followed:

1. To prevent device latch-up, it is recommended the core power (VDD) and I/O power (VDDQ) be from the same power source and brought up simultaneously. If separate power sources are used, VDD must lead VDDQ.
2. Once power supply voltages are stable and the CKE has been driven HIGH, it is safe to apply the clock.
3. Once the clock is stable, a 200µs (minimum) delay is required by the Mobile DDR SDRAM prior to applying an executable command. During this time, NOP or DESELECT commands must be issued on the command bus.
4. Issue a PRECHARGE ALL command.
5. Issue NOP or DESELECT commands for at least tRP time.
6. Issue an AUTO REFRESH command followed by NOP or DESELECT commands for at least tRFC time. Issue a second AUTO REFRESH command followed by NOP or DESELECT commands for at least tRFC time. As part of the individualization sequence, two AUTO REFRESH commands must be issued. Typically, both of these commands are issued at this stage as described above.
7. Using the LOAD MODE REGISTER command, load the standard mode register as desired.
8. Issue NOP or DESELECT commands for at least tMRD time.
9. Using the LOAD MODE REGISTER command, load the extended mode register to the desired operating modes. Note that the order in which the standard and extended mode registers are programmed is not critical.
10. Issue NOP or DESELECT commands for at least tMRD time.
11. The Mobile DDR SDRAM has been properly initialized and is ready to receive any valid command.

Figure6 : Power up sequence

Notes:

1. PCG = PRECHARGE command, MRS = LOAD MODE REGISTER command, AREF = AUTOREFRESH command, ACT = ACTIVE command, RA = Row address, BA = Bank address.
2. NOP or DESELECT commands are required for at least 200μs.
3. Other valid commands are possible.
4. NOPs or DESELECTs are required during this time.

Mode Register

The mode register is used to define the specific mode of operation of the Mobile DDR SDRAM. This definition includes the selection of a burst length, a burst type, a CAS latency. The mode register is programmed via the LOAD MODE REGISTER command and will retain the stored information until programmed again, the device goes into deep power-down mode, or the device loses power.

Mode register bits A0-A2 specify the burst length, A3 specifies the type of burst (sequential or interleaved), A4-A6 specify the CAS latency, and A7-A11 should be set to zero. BA0 and BA1 must be zero to access the mode register.

The mode register must be loaded when all banks are idle, and the controller must wait the specified time before initiating the subsequent operation. Violating either of these requirements will result in unspecified operation.

Burst Length

Read and write accesses to the Mobile DDR SDRAM are burst oriented, with the burst length being programmable, as shown in Figure (Mode Register Set Definition). The burst length determines the maximum number of column locations that can be accessed for a given READ or WRITE command. Burst lengths of 2, 4, 8 or 16 are available for both the sequential and the interleaved burst types.

Reserved states should not be used, as unknown operation or incompatibility with future versions may result. When a READ or WRITE command is issued, a block of columns equal to the burst length is effectively selected. All accesses for that burst take place within this block, meaning that the burst will wrap within the block if a boundary is reached. The block is uniquely selected by A1-A8 when the burst length is set to two; by A2-A8 when the burst length is set to four; by A3-A8 when the burst length is set to eight; and by A4-A8 when the burst length is set to sixteen. The remaining (least significant) address bit(s) is (are) used to select the starting location within the block. The programmed burst length applies to both READ and WRITE bursts.

CAS Latency

The CAS latency is the delay, in clock cycles, between the registration of a READ command and the availability of the first bit of output data. The latency can be set to 2, 3 clocks, as shown in Figure (Standard Mode Register Definition).

For CL = 3, if the READ command is registered at clock edge n , then the data will be available at $(n + 2 \text{ clocks} + t_{AC})$. For CL = 2, if the READ command is registered at clock edge n , then the data will be available at $(n + 1 \text{ clock} + t_{AC})$.

Figure7 : CAS Latency (BL=4)



Extended Mode Register

The Extended Mode Register controls the functions beyond those controlled by the Mode Register. These additional functions are special features of the Mobile DDR SDRAM. They include Partial Array Self Refresh (PASR) and Driver Strength (DS).

The Extended Mode Register is programmed via the Mode Register Set command (BA0=0, BA1=1) and retains the stored information until programmed again, the device goes into deep power-down mode, or the device loses power.

The Extended Mode Register must be programmed with A8 through A11 set to "0". The Extended Mode Register must be loaded when all banks are idle and no bursts are in progress, and the controller must wait the specified time before initiating any subsequent operation. Violating either of these requirements results in unspecified operation.

Partial Array Self Refresh

For further power savings during SELF REFRESH, the PASR feature allows the controller to select the amount of memory that will be refreshed during SELF REFRESH. The refresh options are as follows:

- Full array: banks 0, 1, 2, and 3
- Half array: banks 0 and 1
- Quarter array: bank 0
- One eighth array: half of bank 0
- One sixteenth array: quarter of bank 0

WRITE and READ commands can still occur during standard operation, but only the selected banks will be refreshed during SELF REFRESH. Data in banks that are disabled will be lost.

Output Driver Strength

Because the Mobile DDR SDRAM is designed for use in smaller systems that are mostly point to point, an option to control the drive strength of the output buffers is available. Drive strength should be selected based on the expected loading of the memory bus. Bits A5 and A6 of the extended mode register can be used to select the driver strength of the DQ outputs. There are four allowable settings for the output drivers.

Temperature Compensated Self Refresh

In the Mobile DDR SDRAM, a temperature sensor is implemented for automatic control of the self refresh oscillator on the device.

Temperature Compensated Self Refresh allows the controller to program the Refresh interval during SELF REFRESH mode, according to the case temperature of the Mobile SDRAM device. This allows great power savings during SELF REFRESH during most operating temperature ranges. Only during extreme temperatures would the controller have to select a TCSR level that will guarantee data during SELF REFRESH.

Every cell in the DRAM requires refreshing due to the capacitor losing its charge over time. The refresh rate is dependent on temperature. At higher temperatures a capacitor loses charge quicker than at lower temperatures, requiring the cells to be refreshed more often. Historically, during Self Refresh, the refresh rate has been set to accommodate the worst case, or highest temperature range expected.

Thus, during ambient temperatures, the power consumed during refresh was unnecessarily high, because the refresh rate was set to accommodate the higher temperatures.

This temperature compensated refresh rate will save power when the DRAM is operating at normal temperatures. It is not supported for any temperature grade with TA above +85°C.

Commands

The following COMMANDS Truth Table and DM Operation Truth Table provide quick reference of available commands. This is followed by a written description of each command.

Deselect

The Deselect function (/CS HIGH) prevents new commands from being executed by the Mobile DDR SDRAM. The Mobile DDR SDRAM is effectively deselected. Operations already in progress are not affected.

NO Operation (NOP)

The NO OPERATION (NOP) command is used to instruct the selected DDR SDRAM to perform a NOP (/CS = LOW, /RAS = /CAS = /WE = HIGH). This prevents unwanted commands from being registered during idle or wait states. Operations already in progress are not affected.

Active

The ACTIVE command is used to open (or activate) a row in a particular bank for a subsequent access. The value on the BA0, BA1 inputs selects the bank, and the address provided on inputs A0–A11 selects the row. This row remains active (or open) for accesses until a PRECHARGE command is issued to that bank. A PRECHARGE command must be issued before opening a different row in the same bank.

Read

The READ command is used to initiate a burst read access to an active row. The value on the BA0, BA1 inputs selects the bank, and the address provided on inputs A0–A8 selects the starting column location. The value on input A10 determines whether or not auto precharge is used. If auto precharge is selected, the row being accessed will be precharged at the end of the READ burst; if auto precharge is not selected, the row will remain open for subsequent accesses.

Write

The WRITE command is used to initiate a burst write access to an active row. The value on the BA0, BA1 inputs selects the bank, and the address provided on inputs A0–A8 selects the starting column location. The value on input A10 determines whether or not auto precharge is used. If auto precharge is selected, the row being accessed will be precharged at the end of the WRITE burst; if auto precharge is not selected, the row will remain open for subsequent accesses. Input data appearing on the DQs is written to the memory array subject to the DM input logic level appearing coincident with the data. If a given DM signal is registered LOW, the corresponding data will be written to memory; if the DM signal is registered HIGH, the corresponding data inputs will be ignored, and a WRITE will not be executed to that byte/column location.

Precharge

The PRECHARGE command is used to deactivate the open row in a particular bank or the open row in all banks. The bank(s) will be available for a subsequent row access a specified time (tRP) after the precharge command is issued. Except in the case of concurrent auto precharge, where a READ or WRITE command to a different bank is allowed as long as it does not interrupt the data transfer in the current bank and does not violate any other timing parameters. Input A10 determines whether one or all banks are to be precharged, and in the case where only one bank is to be precharged, inputs BA0, BA1 select the bank. Otherwise BA0, BA1 are treated as "Don't Care." Once a bank has been precharged, it is in the idle state and must be activated prior to any READ or WRITE commands being issued to that bank. A PRECHARGE command will be treated as a NOP if there is no open row in that bank (idle state), or if the previously open row is already in the process of precharging.

Auto Precharge

Auto precharge is a feature which performs the same individual-bank precharge function described above, but without requiring an explicit command. This is accomplished by using A10 to enable auto precharge in conjunction with a specific READ or WRITE command. A precharge of the bank/row that is addressed with the READ or WRITE command is automatically performed upon completion of the READ or WRITE burst. Auto precharge is nonpersistent in that it is either enabled or disabled for each individual READ or WRITE command. This device supports concurrent auto precharge if the command to the other bank does not interrupt the data transfer to the current bank. Auto precharge ensures that the precharge is initiated at the earliest valid stage within a burst. This "earliest valid stage" is determined as if an explicit PRECHARGE command was issued at the earliest possible time, without violating tRAS (MIN). The user must not issue another command to the same bank until the precharge time (tRP) is completed.

Burst Terminate

The BURST TERMINATE command is used to truncate READ bursts (with auto precharge disabled). The most recently registered READ command prior to the BURST TERMINATE command will be truncated. The open page which the READ burst was terminated from remains open.

Auto Refresh

AUTO REFRESH is used during normal operation of the Mobile DDR SDRAM and is analogous to /CAS-BEFORE-/RAS (CBR) REFRESH in FPM/EDO DRAMs. This command is nonpersistent, so it must be issued each time a refresh is required. The addressing is generated by the internal refresh controller. This makes the address bits a "Don't Care" during an AUTO REFRESH command. The 128Mb Mobile DDR SDRAM requires AUTO REFRESH cycles at an average interval of t_{REFI} (maximum). To allow for improved efficiency in scheduling and switching between tasks, some flexibility in the absolute refresh interval is provided.

Although not a JEDEC requirement, to provide for future functionality features, CKE must be active (HIGH) during the auto refresh period. The auto refresh period begins when the AUTO REFRESH command is registered and ends tRFC later.

Self Refresh

The SELF REFRESH command can be used to retain data in the Mobile DDR SDRAM, even if the rest of the system is powered down. When in the self refresh mode, the Mobile DDR SDRAM retains data without external clocking. The SELF REFRESH command is initiated like an AUTO REFRESH command except CKE is disabled (LOW). All command and address input signals except CKE are "Don't Care" during SELF REFRESH.

During SELF REFRESH, the device is refreshed as identified in the external mode register (see PASR setting). For a the full array refresh, all four banks are refreshed simultaneously with the refresh frequency set by an internal self refresh oscillator. This oscillator changes due to the temperature sensors input. As the case temperature of the Mobile DDR SDRAM increases, the oscillation frequency will change to accommodate the change of temperature. This happens because the DRAM capacitors lose charge faster at higher temperatures. To ensure efficient power dissipation during self refresh, the oscillator will change to refresh at the slowest rate possible to maintain the devices data. The procedure for exiting SELF REFRESH requires a sequence of commands. First, Clock must be stable prior to CKE going back HIGH. Once CKE is HIGH, the Mobile DDR SDRAM must have NOP commands issued for tXSR is required for the completion of any internal refresh in progress. The self refresh command is not applicable for operation with $T_A > 85^{\circ}\text{C}$

Deep Power-down

Deep Power Down is an operating mode to achieve maximum power reduction by eliminating the power of the whole memory array of the devices. Data will not be retained once the device enters Deep Power Down Mode.

This mode is entered by having all banks idle then /CS and /WE held low with /RAS and /CAS held high at the rising edge of the clock, while CKE is low. This mode is exited by asserting CKE high. After applying NOP commands for 200 μs , the power up and initialization sequence must be followed. This mode is not applicable for operation with $T_A > 85^{\circ}\text{C}$.

Table4: Command Truth Table

| Function | /CS | /RAS | /CAS | /WE | BA | A10/AP | ADDR | Note |
|--|-----|------|------|-----|----|---------|------|-------|
| DESELECT (NOP) | H | X | X | X | X | X | X | 2 |
| NO OPERATION (NOP) | L | H | H | H | X | X | X | 2 |
| ACTIVE (Select Bank and activate Row) | L | L | H | H | V | Row | Row | |
| READ (Select bank and column and start read burst) | L | H | L | H | V | L | Col | |
| READ with AP (Read Burst with Auto recharge) | L | H | L | H | V | H | Col | 3 |
| WRITE (Select bank and column and start write burst) | L | H | L | L | V | L | Col | |
| WRITE with AP (Write Burst with Auto recharge) | L | H | L | L | V | H | Col | 3 |
| BURST TERMINATE or enter DEEP POWER DOWN | L | H | H | L | X | X | X | 4,5 |
| PRECHARGE (Deactivate Row in selected bank) | L | L | H | L | V | L | X | 6 |
| PRECHARGE ALL (Deactivate rows in all banks) | L | L | H | L | X | H | X | 6 |
| AUTO REFRESH or enter SELF REFRESH | L | L | L | H | X | X | X | 7,8,9 |
| MODE REGISTER SET | L | L | L | L | V | Op_Code | | 10 |

Table5 : DM Truth Table

| Function | DM | DQ | Note |
|---------------|----|-------|------|
| Write Enable | L | Valid | 11 |
| Write Inhibit | H | X | 11 |

Note:

- All states and sequences not shown are illegal or reserved.
- DESLECT and NOP are functionally interchangeable.
- Autoprecharge is non-persistent. A10 High enables Autoprecharge, while A10 Low disables Autoprecharge
- Burst Terminate applies to only Read bursts with autoprecharge disabled.
This command is undefined and should not be used for Read with Autoprecharge enabled, and for Write bursts.
- This command is BURST TERMINATE if CKE is High and DEEP POWER DOWN entry if CKE is Low.
- If A10 is low, bank address determines which bank is to be precharged. If A10 is high, all banks are precharged and BA0-BA1 are don't care.
- This command is AUTO REFRESH if CKE is High, and SELF REFRESH if CKE is low.
- All address inputs and I/O are "don't care" except for CKE. Internal refresh counters control Bank and Row addressing.
- All banks must be precharged before issuing an AUTO-REFRESH or SELF REFRESH command.
- BA0 and BA1 value select between MRS and EMRS.
- Used to mask write data, provided coincident with the corresponding data.
- CKE is HIGH for all commands shown except SELF REFRESH and DEEP POWER-DOWN.

Table6 : CKE Truth Table

| CKEn-1 | CKEn | Current State | COMMANDn | ACTIONn | Note |
|---------------|-------------|----------------------------|------------------------------|-----------------------------|-------------|
| L | L | Power Down | X | Maintain Power Down | |
| L | L | Self Refresh | X | Maintain Self Refresh | |
| L | L | Deep Power Down | X | Maintain Deep Power Down | |
| L | H | Power Down | NOP or DESELECT | Exit Power Down | 5,6,9 |
| L | H | Self Refresh | NOP or DESELECT | Exit Self Refresh | 5,7,10 |
| L | H | Deep Power Down | NOP or DESELECT | Exit Deep Power Down | 5,8 |
| H | L | All Banks Idle | NOP or DESELECT | Precharge Power Down entry | 5 |
| H | L | Bank(s) Active | NOP or DESELECT | Active Power Down Entry | 5 |
| H | L | All Banks Idle | AUTO REFRESH | Self Refresh Entry | |
| H | L | All Banks Idle | BURST TERMINATE | Enter Deep Power Down | |
| H | H | See the other Truth Tables | | | |

- Note:**
1. CKEn is the logic state of CKE at clock edge n ; CKE $n-1$ was the state of CKE at the previous clock edge.
 2. Current state is the state of Mobile DDR immediately prior to clock edge n .
 3. COMMAND n is the command registered at clock edge n , and ACTION n is the result of COMMAND n .
 4. All states and sequences not shown are illegal or reserved.
 5. DESELECT and NOP are functionally interchangeable.
 6. Power Down exit time (tXP) should elapse before a command other than NOP or DESELECT is issued.
 7. SELF REFRESH exit time (tXSR) should elapse before a command other than NOP or DESELECT is issued.
 8. The Deep Power-Down exit procedure must be followed as discussed in the Deep Power-Down section of the Functional Description.
 9. The clock must toggle at least one time during the tXP period.
 10. The clock must toggle at least once during the tXSR time.

Table7 : Current State BANK n Truth Table(COMMAND TO BANK n)

| Current State | Command | | | | | Action | Note |
|-----------------------------------|---------|------|------|-----|-------------------|--|--------|
| | /CS | /RAS | /CAS | /WE | Description | | |
| Any | H | X | X | X | DESELECT(NOP) | Continue previous Operation | |
| | L | H | H | H | NOP | Continue previous Operation | |
| Idle | L | L | H | H | ACTIVE | Select and activate row | |
| | L | L | L | H | AUTO REFRESH | Auto refresh | 10 |
| | L | L | L | L | MODE REGISTER SET | Mode register set | 10 |
| | L | L | H | H | PRECHARGE | No action if bank is idle | |
| Row Active | L | H | L | H | READ | Select Column & start read burst | |
| | L | H | L | L | WRITE | Select Column & start write burst | |
| | L | L | H | L | PRECHARGE | Deactivate Row in bank (or banks) | 4 |
| Read (without Auto recharge) | L | H | L | H | READ | Truncate Read & start new Read burst | 5,6 |
| | L | H | L | L | WRITE | Truncate Read & start new Write burst | 5,6,13 |
| | L | L | H | L | PRECHARGE | Truncate Read, start Precharge | |
| | L | H | H | L | BURST TERMINATE | Burst terminate | 11 |
| Write (without Auto precharge) | L | H | L | H | READ | Truncate Write & start new Read burst | 5,6,12 |
| | L | H | L | L | WRITE | Truncate Write & start new Write burst | 5,6 |
| | L | L | H | L | PRECHARGE | Truncate Write, start Precharge | 12 |

Note:

- The table applies when both CKEn-1 and CKEn are HIGH, and after tXSR or tXP has been met if the previous state was Self Refresh or Power Down.
- DESELECT and NOP are functionally interchangeable.
- All states and sequences not shown are illegal or reserved.
- This command may or may not be bank specific. If all banks are being precharged, they must be in a valid state for precharging.
- A command other than NOP should not be issued to the same bank while a READ or WRITE Burst with auto precharge is enabled.
- The new Read or Write command could be auto precharge enabled or auto precharge disabled.
- Current State Definitions:
 - Idle: The bank has been precharged, and tRP has been met.
 - Row Active: A row in the bank has been activated, and tRCD has been met.
 - No data bursts/accesses and no register accesses are in progress.
 - Read: A READ burst has been initiated, with AUTO PRECHARGE disabled, and has not yet terminated or been terminated.
 - Write: a WRITE burst has been initiated, with AUTO PRECHARGE disabled, and has not yet terminated or been terminated.
- The following states must not be interrupted by a command issued to the same bank.
 - DESELECT or NOP commands or allowable commands to the other bank should be issued on any clock edge occurring during these states. Allowable commands to the other bank are determined by its current state and Truth Table3, and according to Truth Table 4.
 - Precharging: Starts with the registration of a PRECHARGE command and ends when tRP is met.
 - Once tRP is met, the bank will be in the idle state.
 - Row Activating: Starts with registration of an ACTIVE command and ends when tRCD is met.
 - Once tRCD is met, the bank will be in the "row active" state.
 - Read with AP Enabled: Starts with the registration of the READ command with AUTO PRECHARGE enabled and ends when tRP has been met. Once tRP has been met, the bank will be in the idle state.
 - Write with AP Enabled: Starts with registration of a WRITE command with AUTO PRECHARGE enabled and ends when tRP has been met. Once tRP is met, the bank will be in the idle state.

9. The following states must not be interrupted by any executable command; DESELECT or NOP commands must be applied to each positive clock edge during these states.
- Refreshing: Starts with registration of an AUTO REFRESH command and ends when tRFC is met.
Once tRFC is met, the Mobile DDR will be in an "all banks idle" state.
 - Accessing Mode Register: Starts with registration of a MODE REGISTER SET command and ends when tMRD has been met.
Once tMRD is met, the Mobile DDR will be in an "all banks idle" state.
 - Precharging All: Starts with the registration of a PRECHARGE ALL command and ends when tRP is met.
Once tRP is met, the bank will be in the idle state.
10. Not bank-specific; requires that all banks are idle and no bursts are in progress.
11. Not bank-specific. BURST TERMINATE affects the most recent READ burst, regardless of bank.
12. Requires appropriate DM masking.
13. A WRITE command may be applied after the completion of the READ burst; otherwise, a Burst terminate must be used to end the READ prior to asserting a WRITE command.

Table8 : Current State BANK n Truth Table (COMMAND TO BANK m)

| Current State | Command | | | | | Action | Note |
|--|---------|------|------|-----|---------------|-------------------------------|--------|
| | /CS | /RAS | /CAS | /WE | Description | | |
| Any | H | X | X | X | DESELECT(NOP) | Continue previous Operation | |
| | L | H | H | H | NOP | Continue previous Operation | |
| Idle | X | X | X | X | ANY | Any command allowed to bank m | |
| Row Activating, Active, or Precharging | L | L | H | H | ACTIVE | Activate Row | |
| | L | H | L | H | READ | Start READ burst | 8 |
| | L | H | L | L | WRITE | Start WRITE burst | 8 |
| | L | L | H | L | PRECHARGE | Precharge | |
| Read with Auto Precharge disabled | L | L | H | H | ACTIVE | Activate Row | |
| | L | H | L | H | READ | State READ burst | 8 |
| | L | H | L | L | WRITE | Start WRITE burst | 8,10 |
| | L | L | H | L | PRECHARGE | Precharge | |
| Write with Auto precharge disabled | L | L | H | H | ACTIVE | Activate Row | |
| | L | H | L | H | READ | Start READ burst | 8,9 |
| | L | H | L | L | WRITE | Start WRITE burst | 8 |
| | L | L | H | L | PRECHARGE | Precharge | |
| Read with Auto Precharge | L | L | H | H | ACTIVE | Activate Row | |
| | L | H | L | H | READ | Start READ burst | 5,8 |
| | L | H | L | L | WRITE | Start WRITE burst | 5,8,10 |
| | L | L | H | L | PRECHARGE | Precharge | |
| Write with Auto precharge | L | L | H | H | ACTIVE | Activate Row | |
| | L | H | L | H | READ | Start READ burst | 5,8 |
| | L | H | L | L | WRITE | Start WRITE burst | 5,8 |
| | L | L | H | L | PRECHARGE | Precharge | |

Note:

1. The table applies when both CKE_{n-1} and CKE_n are HIGH, and after tXSR or tXP has been met if the previous state was Self Refresh or Power Down.
2. DESELECT and NOP are functionally interchangeable.
3. All states and sequences not shown are illegal or reserved.
4. Current State Definitions:
 - Idle: The bank has been precharged, and tRP has been met.
 - Row Active: A row in the bank has been activated, and tRCD has been met. No data bursts/accesses and no register accesses are in progress.
 - Read: A READ burst has been initiated, with AUTO PRECHARGE disabled, and has not yet terminated or been terminated.
 - Write: a WRITE burst has been initiated, with AUTO PRECHARGE disabled, and has not yet terminated or been terminated.
5. Read with AP enabled and Write with AP enabled: The read with Autoprecharge enabled or Write with Autoprecharge enabled states can be broken into two parts: the access period and the precharge period. For Read with AP, the precharge period is defined as if the same burst was executed with Auto Precharge disabled and then followed with the earliest possible PRECHARGE command that still accesses all the data in the burst.
 - For Write with Auto precharge, the precharge period begins when tWR ends, with tWR measured as if Auto Precharge was disabled. The access period starts with registration of the command and ends where the precharge period (or tRP) begins.
 - During the precharge period, of the Read with Autoprecharge enabled or Write with Autoprecharge enabled states, ACTIVE, PRECHARGE, READ, and WRITE commands to the other bank may be applied; during the access period, only ACTIVE and PRECHARGE commands to the other banks may be applied. In either case, all other related limitations apply (e.g. contention between READ data and WRITE data must be avoided).
6. AUTO REFRESH, SELF REFRESH, and MODE REGISTER SET commands may only be issued when all bank are idle.
7. A BURST TERMINATE command cannot be issued to another bank;
 - It applies to the bank represented by the current state only.
8. READs or WRITEs listed in the Command column include READs and WRITEs with AUTO PRECHARGE enabled and READs and WRITEs with AUTO PRECHARGE disabled.
9. Requires appropriate DM masking.
10. A WRITE command may be applied after the completion of data output, otherwise a BURST TERMINATE command must be issued to end the READ prior to asserting a WRITE command.

Table9 : Absolute Maximum Rating

| Parameter | Symbol | Rating | Unit |
|------------------------------------|-------------------|------------|------|
| Storage Temperature | T_{STG} | -55 ~ 150 | °C |
| Voltage on Any Pin relative to VSS | V_{IN}, V_{OUT} | -0.3 ~ 2.7 | V |
| Voltage on VDD relative to VSS | VDD, VDDQ | -0.3 ~ 2.7 | V |
| Short Circuit Output Current | I_{OS} | 50 | mA |
| Power Dissipation | P_D | 0.7 | W |

Note :

Stresses greater than those listed under "Absolute Maximum Ratings" may cause permanent damage to the device. This is a stress rating only, and functional operation of the device at these or any other conditions above those indicated in the operational sections of this specification is not implied. Exposure to absolute maximum rating conditions for extended periods may affect reliability.

Table10 : Operating Temperature

| Parameter | Symbol | Rating | Unit |
|--------------------------------------|--------|-----------|------|
| Ambient Temperature (Automotive, A2) | T_A | -40 ~ 105 | °C |
| Ambient Temperature (Automotive, A1) | | -40 ~ 85 | |
| Ambient Temperature (Industrial) | | -40 ~ 85 | |
| Ambient Temperature (Commercial) | | 0 ~ 70 | |

Table11 : AC/DC Operating Conditions ⁽¹⁾

| Parameter | Symbol | Min | Typ | Max | Unit | Note |
|---|---------------|------------|-----|------------|------|-----------------|
| Power Supply Voltage | VDD | 1.7 | 1.8 | 1.95 | V | |
| Power Supply Voltage | VDDQ | 1.7 | 1.8 | 1.95 | V | 2 |
| Input High Voltage | V_{IH} (DC) | 0.7 x VDDQ | | VDDQ + 0.3 | V | |
| Input Low Voltage | V_{IL} (DC) | -0.3 | | 0.3 x VDDQ | V | |
| Input Differential Voltage, for CK, /CK inputs | V_{ID} (DC) | 0.4 x VDDQ | | VDDQ + 0.6 | V | 3 |
| Output High Voltage | V_{OH} (DC) | 0.9 x VDDQ | | - | V | $I_{OH}=-0.1mA$ |
| Output Low Voltage | V_{OL} (DC) | - | | 0.1 x VDDQ | V | $I_{OL}=0.1mA$ |
| Input Leakage Current | I_{LI} | -2 | | 2 | uA | |
| Output Leakage Current | I_{LO} | -5 | | 5 | uA | |
| Input High Voltage, all inputs | V_{IH} (AC) | 0.8 x VDDQ | | VDDQ + 0.3 | V | |
| Input Low Voltage, all inputs | V_{IL} (AC) | -0.3 | | 0.2 x VDDQ | V | |
| Input Differential Voltage, for CK, /CK inputs | V_{ID} (AC) | 0.6 x VDDQ | | VDDQ + 0.6 | V | 3 |
| Input Differential Crosspoint Voltage for CK and /CK inputs | V_{IX} (AC) | 0.4 x VDDQ | | 0.6 x VDDQ | V | 4 |

Notes :

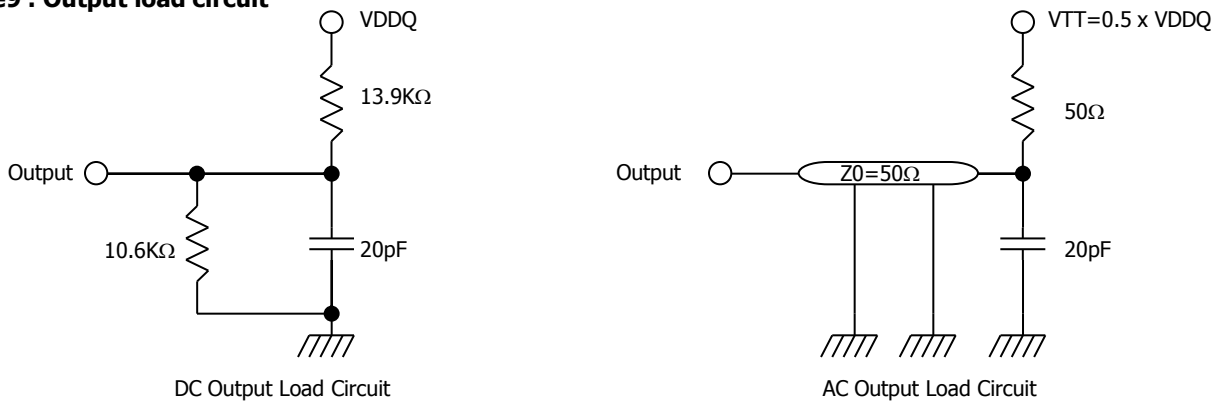
- All Voltages are referenced to VSS = 0V
- VDD and VDDQ must track each other, and VDDQ must not exceed the level of VDD.
- The magnitude of difference between input level on CK and input level on /CK.
- The value of V_{IX} is expected to equal 0.5*VDDQ of the transmitting device and must track variations in the DC level of the same.

Table12 : Capacitance ($T_A=25^\circ\text{C}$, $f=1\text{MHz}$, $V_{DD}=1.8\text{V}$)

| Parameter | Pin | Symbol | Min | Max | Unit |
|-------------------------------------|--|----------|-----|-----|------|
| Input Capacitance | CK, /CK | C_{I1} | 1.5 | 3.5 | pF |
| | A0~A11, BA0~BA1, CKE, /CS, /RAS, /CAS, /WE | C_{I2} | 1.5 | 3.0 | pF |
| | LDM, UDM | C_{I3} | 2 | 4.5 | pF |
| Data & DQS Input/Output Capacitance | DQ0~DQ15, LDQS, UDQS | C_{I0} | 2 | 4.5 | pF |

Table13 : AC Operating Test Condition

| Parameter | Symbol | Value | Unit |
|---|-------------------|---|------|
| AC Input High/Low Level Voltage | V_{IH} / V_{IL} | $0.8 \times V_{DDQ} / 0.2 \times V_{DDQ}$ | V |
| Input Timing Measurement Reference Level Voltage | V_{TRIP} | $0.5 \times V_{DDQ}$ | V |
| Input Rise / Fall Time | t_R / t_F | 1 / 1 | ns |
| Output Timing Measurement Reference Level Voltage | V_{OUTREF} | $0.5 \times V_{DDQ}$ | V |
| Output Load Capacitance for Access Time Measurement | C_L | 20 | pF |

Figure9 : Output load circuit

Table14 : AC Overshoot/Undershoot Specification

| Parameter | Specification |
|--|---------------|
| Maximum Peak Amplitude allowed for Overshoot Area | 0.9V |
| Maximum Peak Amplitude allowed for Undershoot Area | 0.9V |
| Maximum Overshoot Area above VDD/VDDQ | 3V-ns |
| Maximum Undershoot Area below VSS/VSSQ | 3V-ns |

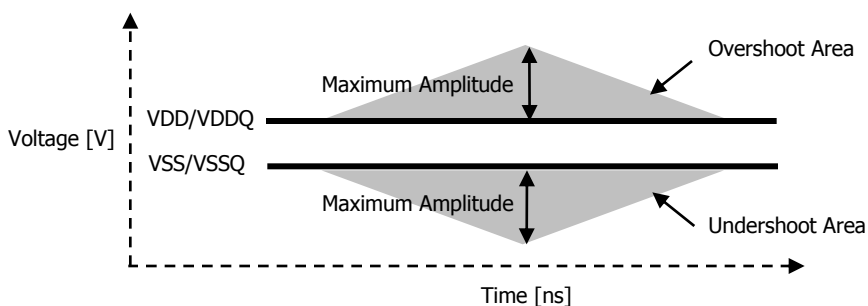
Figure10 : AC Overshoot/Undershoot Definition


Table15B : DC Characteristic (DC operating conditions unless otherwise noted)

| Parameter | Symbol | Test Condition | Speed | | | Unit | Note |
|--|--------------|--|-------|--|-----|------|------|
| | | | -5 | -6 | -75 | | |
| Operating one bank active-precharge current | IDD0 | tRC = tRC(min), tCK = tCK(min), CKE is HIGH, /CS is HIGH between valid commands, address inputs are SWITCHING, data bus inputs are STABLE | 60 | 50 | 45 | mA | 1 |
| Precharge power-down standby current | IDD2P | All banks idle, CKE is LOW, /CS is HIGH, tCK = tCK(min), address and control inputs are SWITCHING, data bus inputs are STABLE | 300 | | | μA | |
| Precharge power-down standby current with clock stop | IDD2PS | All banks idle, CKE is LOW, /CS is HIGH, CK = LOW, /CK = HIGH, address and control inputs are SWITCHING, data bus inputs are STABLE | 300 | | | μA | |
| Precharge non power-down standby current | IDD2N | All banks idle, CKE is HIGH, /CS is HIGH, tCK = tCK(min), address and control inputs are SWITCHING, data bus inputs are STABLE | 10 | | | mA | |
| Precharge non power-down standby current with clock stop | IDD2NS | All banks idle, CKE is HIGH, /CS is HIGH, CK = LOW, /CK = HIGH, address and control inputs are SWITCHING, data bus inputs are STABLE | 4 | | | mA | |
| Active power-down standby current | IDD3P | One bank active, CKE is LOW, /CS is HIGH, tCK = tCK(min), address and control inputs are SWITCHING, data bus inputs are STABLE | 1 | | | mA | |
| Active power-down standby current with clock stop | IDD3PS | One bank active, CKE is LOW, /CS is HIGH, CK = LOW, /CK = HIGH, address and control inputs are SWITCHING, data bus inputs are STABLE | 1 | | | mA | |
| Active non power-down standby current | IDD3N | One bank active, CKE is HIGH, /CS is HIGH, tCK = tCK(min), address and control inputs are SWITCHING, data bus inputs are STABLE | 20 | | | mA | |
| Active non power-down standby current with clock stop | IDD3NS | One bank active, CKE is HIGH, /CS is HIGH, CK = LOW, /CK = HIGH, address and control inputs are SWITCHING, data bus inputs are STABLE | 10 | | | mA | |
| Operating burst read current | IDD4R | One bank active, BL=4, CL=3, tCK = tCK(min), continuous read bursts, IOUT=0mA, address inputs are SWITCHING, 50% data change each burst transfer | 90 | 80 | 70 | mA | 1 |
| Operating burst write current | IDD4W | One bank active, BL=4, tCK=tCK(min), continuous write bursts, address inputs are SWITCHING, 50% data change each burst transfer | 45 | 40 | 35 | mA | 1 |
| Auto Refresh Current | IDD5 | tRC=tRFC(min), tCK=tCK(min), burst refresh, CKE is HIGH, address and control inputs are SWITCHING, data bus inputs are STABLE | 70 | | | mA | 2 |
| Self Refresh Current | PASR | TCSR | IDD6 | CKE is LOW CK=LOW, /CK=HIGH tCK=tCK(min) Extended Mode Register set to all 0's, address and control inputs are STABLE, data bus inputs are STABLE | 300 | μA | 3 |
| | | | | | | | |
| | 45°C | | | | | | |
| | 2 Banks | 85°C | | | | | |
| | | 45°C | | | | | |
| | 1 Bank | 85°C | | | | | |
| | | 45°C | | | | | |
| | Half Bank | 85°C | | | | | |
| | | 45°C | | | | | |
| | Quarter Bank | 85°C | | | | | |
| 45°C | | | | | | | |
| Standby Current in Deep Power Down Mode | IDD8 | Address and control inputs are STABLE, data bus inputs are STABLE | 10 | | | μA | 4 |

- Note :
1. Measured with outputs open
 2. Refresh period is 64ms, applicable for $T_A \leq 85^\circ\text{C}$
 3. I_{DD6} value applicable for application with $T_A \leq 85^\circ\text{C}$
 4. Typical value at room temperature

Table16: AC Characteristic (AC operation conditions unless otherwise noted)

| Parameter | Symbol | -5 | | Unit | Note | |
|--|--------|----------|-----------------------|------|------|---------|
| | | Min | Max | | | |
| System Clock Cycle time | CL=3 | tCK | 5 | 1000 | ns | 1 |
| | CL=2 | | 10 | | ns | 1 |
| DQ Output access time from CK, /CK | CL=3 | tAC | 2.0 | 5.0 | ns | |
| | CL=2 | | 2.0 | 8.0 | | |
| Clock High pulse width | tCH | | 0.45 | 0.55 | tCK | |
| Clock Low pulse width | tCL | | 0.45 | 0.55 | tCK | |
| CKE <i>min.</i> pulse width (High/Low pulse width) | tCKE | | 1 | | tCK | |
| DQ and DM Input Setup time | tDS | | 0.48 | | ns | 2, 3, 4 |
| DQ and DM Input Hold time | tDH | | 0.48 | | ns | 2, 3, 4 |
| DQ and DM Input Pulse width | tDIPW | | 1.6 | | ns | 5 |
| Address and Control Input Setup time | tIS | | 0.9 | | ns | 4, 6, 7 |
| Address and Control Input Hold time | tIH | | 0.9 | | ns | 4, 6, 7 |
| Address and Control Input Pulse Width | tIPW | | 2.3 | | ns | 5 |
| DQ & DQS Low-impedance time from CK, /CK | tLZ | | 1.0 | | ns | 8 |
| DQ & DQS High-impedance time from CK, /CK | tHZ | | | 5.0 | ns | 8 |
| DQS - DQ Skew | tDQSQ | | | 0.4 | ns | 9 |
| Half Clock Period | tHP | tCH, tCL | | | ns | |
| Data Hold Skew Factor | tQHS | | | 0.5 | ns | |
| DQ / DQS Output Hold time from DQS | tQH | tHP-tQHS | | | ns | |
| Write Command to first DQS Latching Transition | tDQSS | | 0.75 | 1.25 | tCK | |
| DQS Input High pulse Width | tDQSH | | 0.35 | 0.6 | tCK | |
| DQS Input Low pulse Width | tDQSL | | 0.35 | 0.6 | tCK | |
| DQS Falling Edge to CK Setup Time | tDSS | | 0.2 | | tCK | |
| DQS Falling Edge Hold Time From CK | tDSH | | 0.2 | | tCK | |
| Access Window of DQS from CK, /CK | CL=3 | tDQSK | 2.0 | 5.0 | ns | |
| | CL=2 | | 2.0 | 8.0 | ns | |
| ACTIVE to PRECHARGE Command Period | tRAS | | 40 | | ns | |
| ACTIVE to ACTIVE Command Period | tRC | | 55 | | ns | |
| Mode Register Set command cycle time | tMRD | | 2 | | tCK | |
| Refresh Period | tREF | | | 64 | ms | 15 |
| Average periodic refresh interval | tREFI | | | 15.6 | us | 10, 15 |
| Auto Refresh Period | tRFC | | 70 | | ns | |
| Active to Read or Write delay | tRCD | | 15 | | ns | |
| Precharge command period | tRP | | 15 | | ns | |
| Active Bank A to Active Bank B Delay | tRRD | | 10 | | ns | |
| Write Recovery time | tWR | | 15 | | ns | |
| Auto Precharge Write Recovery + Precharge time | tDAL | | (tWR/tCK) + (tRP/tCK) | | | |
| Internal Write to Read Command Delay | tWTR | | 1 | | tCK | |
| DQS Read preamble | CL=3 | tRPRE | 0.9 | 1.1 | tCK | 11 |
| | CL=2 | | 0.5 | 1.1 | tCK | 11 |
| DQS Read postamble | tRPST | | 0.4 | 0.6 | tCK | |
| DQS Write preamble | tWPRES | | 0.25 | | tCK | |
| DQS Write preamble setup time | tWPRES | | 0 | | ns | 12 |
| DQS Write postamble | tWPST | | 0.4 | 0.6 | tCK | 13 |
| Exit Power Down to next valid command Delay | tXP | | 1 | | tCK | 14 |
| Self Refresh Exit to next valid Command Delay | tXSR | | 120 | | ns | |

Table16: AC Characteristic (AC operation conditions unless otherwise noted)

| Parameter | Symbol | -6 | | -75 | | Unit | Note | |
|--|--------|----------|-----------------------|------|----------|------|------|---------|
| | | Min | Max | Min | Max | | | |
| System Clock Cycle time | CL=3 | tCK | 6 | 1000 | 7.5 | 1000 | ns | 1 |
| | CL=2 | tCK | 10 | | 10 | | ns | 1 |
| DQ Output access time from CK, /CK | CL=3 | tAC | 2.0 | 5.5 | 2.0 | 6.0 | ns | |
| | CL=2 | tAC | 2.0 | 8.0 | 2.0 | 8.0 | | |
| Clock High pulse width | tCH | | 0.45 | 0.55 | 0.45 | 0.55 | tCK | |
| Clock Low pulse width | tCL | | 0.45 | 0.55 | 0.45 | 0.55 | tCK | |
| CKE <i>min.</i> pulse width (High/Low pulse width) | tCKE | | 1 | | 1 | | tCK | |
| DQ and DM Input Setup time | tDS | | 0.6 | | 0.9 | | ns | 2, 3, 4 |
| DQ and DM Input Hold time | tDH | | 0.6 | | 0.9 | | ns | 2, 3, 4 |
| DQ and DM Input Pulse width | tDIPW | | 1.8 | | 2.0 | | ns | 5 |
| Address and Control Input Setup time | tIS | | 1.0 | | 1.3 | | ns | 4, 6, 7 |
| Address and Control Input Hold time | tIH | | 1.0 | | 1.3 | | ns | 4, 6, 7 |
| Address and Control Input Pulse Width | tIPW | | 2.7 | | 3.0 | | ns | 5 |
| DQ & DQS Low-impedance time from CK, /CK | tLZ | | 1.0 | | 1.0 | | ns | 8 |
| DQ & DQS High-impedance time from CK, /CK | tHZ | | | 5.5 | | 6 | ns | 8 |
| DQS - DQ Skew | tDQSQ | | | 0.5 | | 0.6 | ns | 9 |
| Half Clock Period | tHP | tCH, tCL | | | tCH, tCL | | ns | |
| Data Hold Skew Factor | tQHS | | | 0.65 | | 0.75 | ns | |
| DQ / DQS Output Hold time from DQS | tQH | tHP-tQHS | | | tHP-tQHS | | ns | |
| Write Command to first DQS Latching Transition | tDQSS | | 0.75 | 1.25 | 0.75 | 1.25 | tCK | |
| DQS Input High pulse Width | tDQSH | | 0.35 | 0.6 | 0.4 | 0.6 | tCK | |
| DQS Input Low pulse Width | tDQSL | | 0.35 | 0.6 | 0.4 | 0.6 | tCK | |
| DQS Falling Edge to CK Setup Time | tDSS | | 0.2 | | 0.2 | | tCK | |
| DQS Falling Edge Hold Time From CK | tDSH | | 0.2 | | 0.2 | | tCK | |
| Access Window of DQS from CK, /CK | CL=3 | tDQSK | 2.0 | 5.5 | 2.0 | 6.0 | ns | |
| | CL=2 | tDQSK | 2.0 | 8.0 | 2.0 | 8.0 | ns | |
| ACTIVE to PRECHARGE Command Period | tRAS | | 42 | | 45 | | ns | |
| ACTIVE to ACTIVE Command Period | tRC | | 60 | | 75 | | ns | |
| Mode Register Set command cycle time | tMRD | | 2 | | 2 | | tCK | |
| Refresh Period | tREF | | | 64 | | 64 | ms | 15 |
| Average periodic refresh interval | tREFI | | | 15.6 | | 15.6 | us | 10,15 |
| Auto Refresh Period | tRFC | | 70 | | 70 | | ns | |
| Active to Read or Write delay | tRCD | | 18 | | 22.5 | | ns | |
| Precharge command period | tRP | | 18 | | 22.5 | | ns | |
| Active Bank A to Active Bank B Delay | tRRD | | 12 | | 15 | | ns | |
| Write Recovery time | tWR | | 15 | | 15 | | ns | |
| Auto Precharge Write Recovery + Precharge time | tDAL | | (tWR/tCK) + (tRP/tCK) | | | | | |
| Internal Write to Read Command Delay | tWTR | | 1 | | 1 | | tCK | |
| DQS Read preamble | CL=3 | tRPRE | 0.9 | 1.1 | 0.9 | 1.1 | tCK | 11 |
| | CL=2 | tRPRE | 0.5 | 1.1 | 0.5 | 1.1 | tCK | 11 |
| DQS Read postamble | tRPST | | 0.4 | 0.6 | 0.4 | 0.6 | tCK | |
| DQS Write preamble | tWPRES | | 0.25 | | 0.25 | | tCK | |
| DQS Write preamble setup time | tWPRES | | 0 | | 0 | | ns | 12 |
| DQS Write postamble | tWPST | | 0.4 | 0.6 | 0.4 | 0.6 | tCK | 13 |
| Exit Power Down to next valid command Delay | tXP | | 1 | | 1 | | tCK | 14 |
| Self Refresh Exit to next valid Command Delay | tXSR | | 120 | | 120 | | ns | |

Note :

1. The clock frequency must remain constant (stable clock is defined as a signal cycling within timing constraints specified for the clock pin) during access or precharge states (READ, WRITE, including tDPL, and PRECHARGE commands). CKE may be used to reduce the data rate.
2. The transition time for DQ, DM and DQS inputs is measured between VIL(DC) to VIH(AC) for rising input signals, and VIH(DC) to VIL(AC) for falling input signals.
3. DQS, DM and DQ input slew rate is specified to prevent double clocking of data and preserve setup and hold times. Signal transitions through the DC region must be monotonic.
4. Input slew rate $\geq 0.5\text{V/ns}$ and $< 1.0\text{V/ns}$.

| Input setup/hold slew rate [V/ns] | $\Delta t_{DS}/\Delta t_{IS}$ [ps] | $\Delta t_{DH}/\Delta t_{IH}$ [ps] |
|-----------------------------------|------------------------------------|------------------------------------|
| 1.0 | 0 | 0 |
| 0.5 | +150 | +150 |

5. These parameters guarantee device timing but they are not necessarily tested on each device.
6. The transition time for address and command inputs is measured between VIH and VIL.
7. A CK₁/CK₂ slew rate must be $\geq 1.0\text{V/ns}$ (2.0V/ns if measured differentially) is assumed for this parameter.

| CK ₁ /CK ₂ setup/hold slew rate [V/ns] | $\Delta t_{DS}/\Delta t_{IS}$ [ps] | $\Delta t_{DH}/\Delta t_{IH}$ [ps] |
|--|------------------------------------|------------------------------------|
| 1.0 | 0 | 0 |

8. tHZ and tLZ transitions occur in the same access time windows as valid data transitions. These parameters are not referred to a specific voltage level, but specify when the device is no longer driving (HZ), or begins driving (LZ).
9. tDQSQ consists of data pin skew and output pattern effects, and p-channel to n-channel variation of the output drivers for any given cycle.
10. A maximum of eight Refresh commands can be posted to any given Low-Power DDR SDRAM, meaning that the maximum absolute interval between any Refresh command and the next Refresh command is $8 \cdot t_{REFI}$.
11. A low level on DQS may be maintained during High-Z states (DQS drivers disabled) by adding a weak pull-down element in the system. It is recommended to turn off the weak pull-down element during read and write bursts (DQS drivers enabled).
12. The specific requirement is that DQS be valid (HIGH, LOW, or some point on a valid transition) on or before this CK edge. A valid transition is defined as monotonic and meeting the input slew rate specifications of the device. When no writes were previously in progress on the bus, DQS will be transitioning from Hi-Z to logic LOW. If a previous write was in progress, DQS could be HIGH, LOW, or transitioning from HIGH to LOW at this time, depending on tDQSS.
13. The maximum limit for this parameter is not a device limit. The device operates with a greater value for this parameter, but system performance (bus turnaround) will degrade accordingly.
14. At least one clock pulse is required during tXP.
15. The specifications in the table for T_{REF} and T_{REFI} are applicable for all temperature grades with $T_A \leq +85^\circ\text{C}$. Only A2 temperature grade supports operation with $T_A > 85^\circ\text{C}$, and these values must be further constrained with $T_{REF\text{ max}}$ of 32ms, and $T_{REFI\text{ max}}$ of 7.8 μs .

Timing Diagram

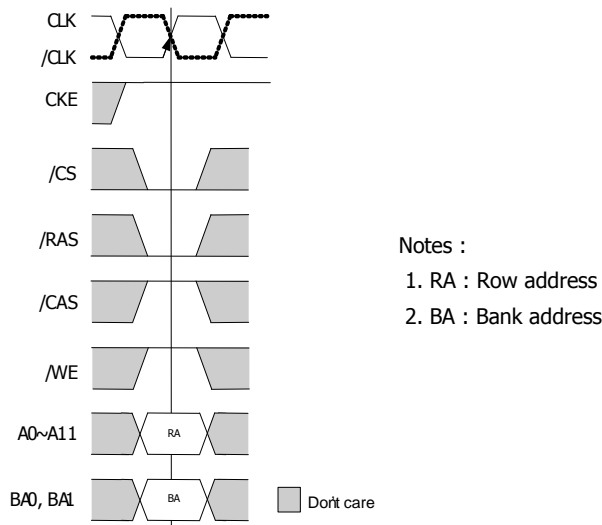
Bank/row Activation

The Active command is used to activate a row in particular bank for a subsequent Read or Write access. The value of the BA0,BA1 inputs selects the bank, and the address provided on A0-A11(or the highest address bit) selects the row.

Before any READ or WRITE commands can be issued to a bank within the Mobile DDR SDRAM, a row in that bank must be opened. This is accomplished via the ACTIVE command, which selects both the bank and the row to be activated. The row remains active until a PRECHARGE (or READ with AUTO PRECHARGE or WRITE with AUTO PRECHARGE) command is issued to the bank.

A PRECHARGE (or READ with AUTO PRECHARGE or WRITE with AUTO PRECHARGE) command must be issued before opening a different row in the same bank.

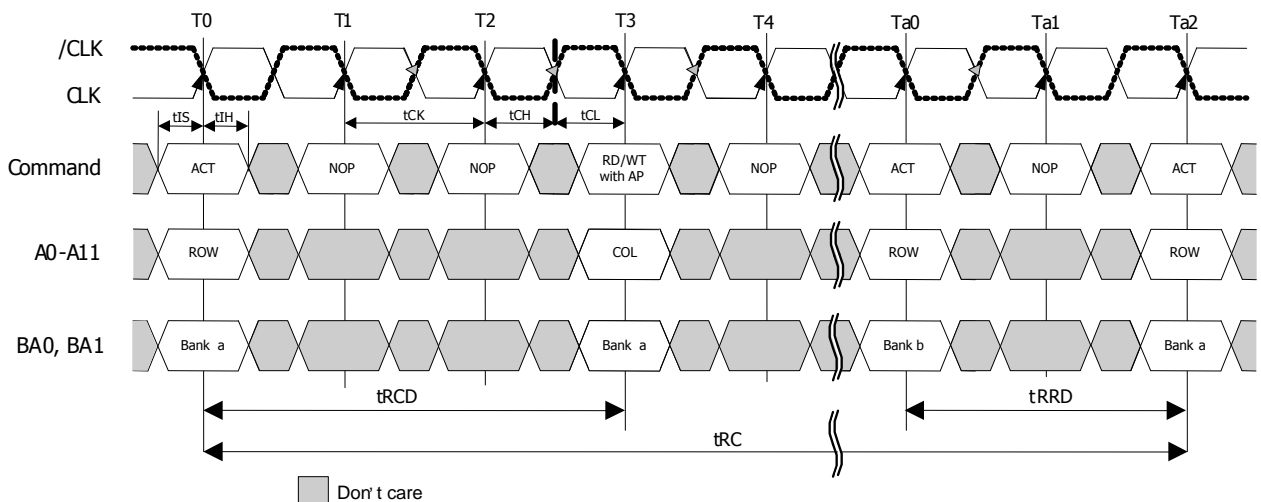
Figure10 : Active command



Once a row is Open(with an ACTIVE command) a READ or WRITE command may be issued to that row, subject to the tRCD specification. tRCD(min) should be divided by the clock period and rounded up to the next whole number to determine the earliest clock edge after the ACTIVE command on which a READ or WRITE command can be entered.

A subsequent ACTIVE command to a different row in the same bank can only be issued after the previous active row has been closed(precharge). The minimum time interval between successive ACTIVE commands to the same bank is defined by tRC. A subsequent ACTIVE command to another bank can be issued while the first bank is being accessed, which results in a reduction of total row-access overhead. The minimum time interval between successive ACTIVE commands to different banks is defined by tRRD.

Figure11 : tRCD, tRRD, tRC

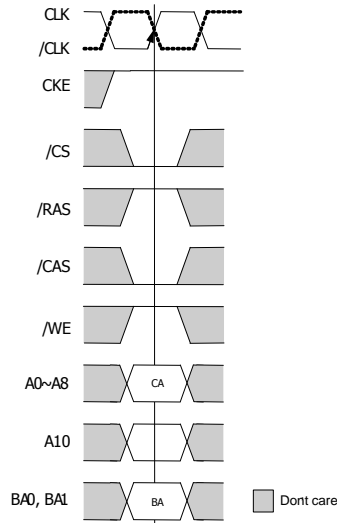


Read

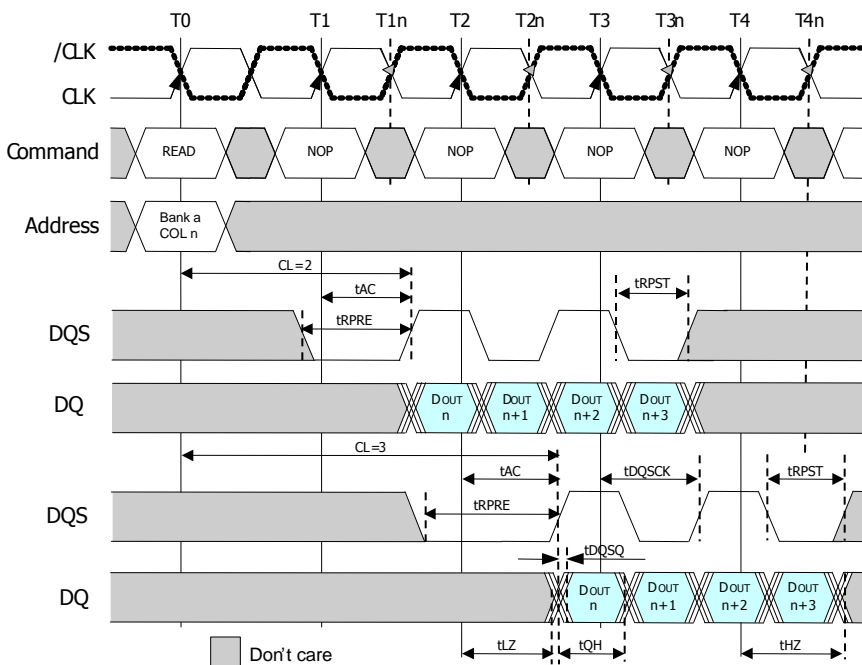
The READ command is used to initiate a Burst Read to an active row. The value of BA0 and BA1 selects the bank and address inputs select the starting column location.

The value of A10 determines whether or not auto-precharge is used. If auto-precharge is selected, the row being accessed will be precharged at the end of the read burst; if auto precharge is not selected, the row will remain open for subsequent access. The valid data-out elements will be available CAS latency after the READ command is issued.

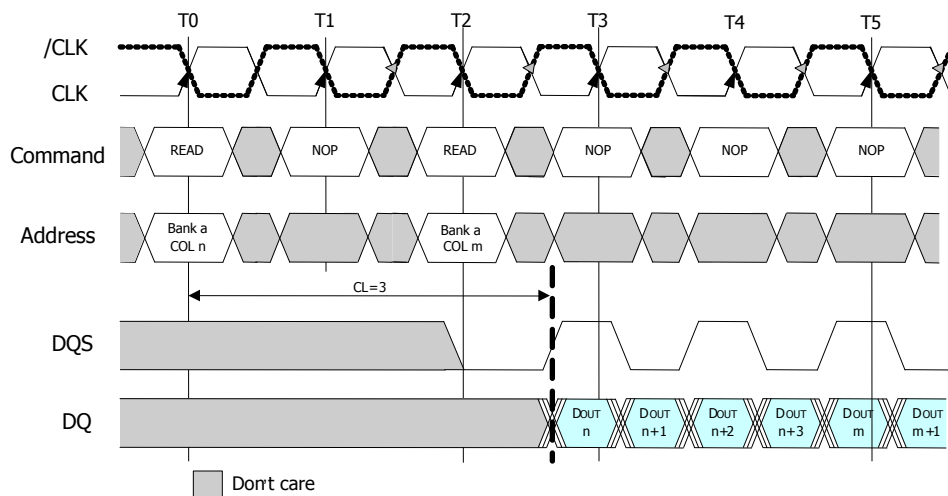
The Mobile DDR drives the DQS during read operations. The initial low state of the DQS is known as the read preamble and the last data-out element is coincident with the read postamble. DQS is edge-aligned with read data. Upon completion of a burst, assuming no new READ commands have been initiated, the I/O's will go high-Z.

Figure12 : Read command

Notes :

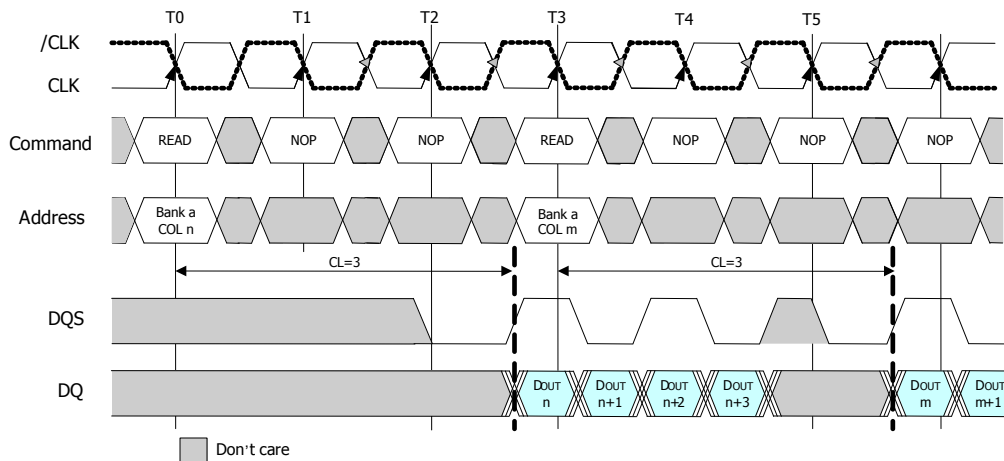
1. CA : Column address
2. BA : Bank address
3. A10=High : Enable Auto precharge
A10=Low : Disable Auto precharge

Figure13 : Read Data out timing (BL=4)

Notes:

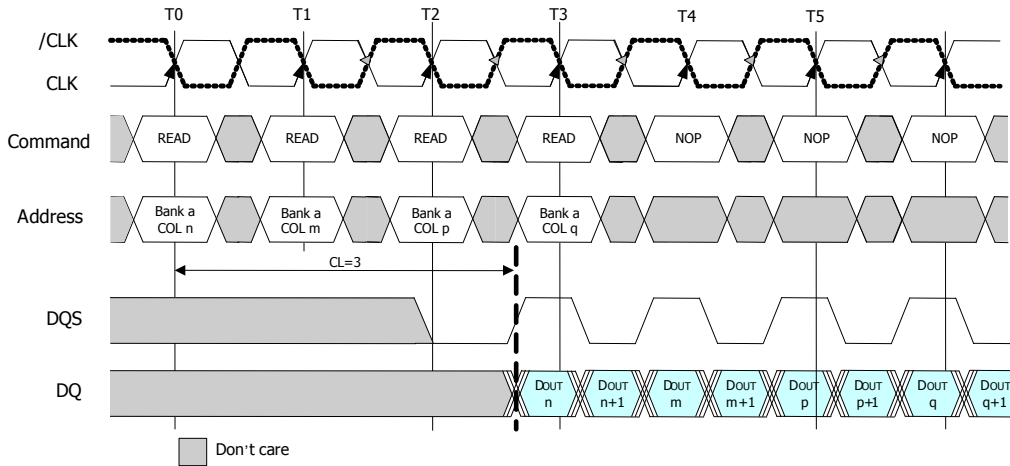
1. BL=4
2. Shown with nominal t_{AC} , t_{DQSK} and t_{DQSQ}

Figure14 : Consecutive Read bursts (BL=4)

Notes:

1. DOUT n or m = Data-Out from Column n or m
2. BL=4,8,16 (if 4, the bursts are concatenated; If 8 or 16, the second burst interrupts the first)
3. Shown with nominal tAC, tDQSCK and tDQSQ

Figure15 : Non-Consecutive Read bursts (BL=4)

Notes:

1. DOUT n or m = Data-Out from Column n or m
2. BL=4,8,16 (if 4, the bursts are concatenated; If 8 or 16, the second burst interrupts the first)
3. Shown with nominal tAC, tDQSCK and tDQSQ

Figure16 : Random Read access

Notes:

1. DOUT n or m,p,q = Data-Out from Column n or m,p,q
2. BL=2,4,8,16 (if 4,8 or 16, the following burst interrupts the previous)
3. Reads are to an Active row in any bank.
4. Shown with nominal tAC, tDQSCK and tDQSQ

Truncated Reads

Data from any READ burst may be truncated with a BURST TERMINATE command, as shown in Figure16. The BURST TERMINATE latency is equal to the READ (CAS) latency, i.e., the BURST TERMINATE command should be issued x cycles after the READ command, where x equals the number of desired data element pairs (pairs are required by the 2n-prefetch architecture).

Data from any READ burst must be completed or truncated before a subsequent WRITE command can be issued. If truncation is necessary, the BURST TERMINATE command must be used.

A READ burst may be followed by, or truncated with, a PRECHARGE command to the same bank provided that auto precharge was not activated. The PRECHARGE command should be issued x cycles after the READ command, where x equals the number of desired data element pairs (pairs are required by the n-prefetch architecture). This is shown in Figure (READ to PRECHARGE). Following the PRECHARGE command, a subsequent command to the same bank cannot be issued until tRP is met.

Figure17 : Read Burst terminate (BL=4,8 or 16)

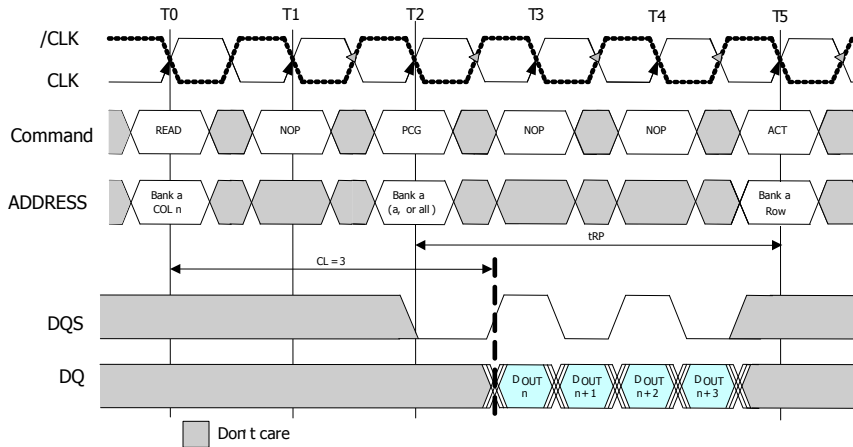
Notes:

1. DOUT n = Data-Out from Column n
2. CKE=high
3. Shown with nominal tAC, tDQSCK and tDQSQ

Figure18 : Read to write terminate (BL=4,8 or 16)

Notes:

1. DOUT n = Data-Out from Column n , DIN m = Data-In from Column m.
2. CKE=high
3. Shown with nominal tAC, tDQSCS and tDQSQ

Figure19 : Read to Precharge (BL=4)

Notes:

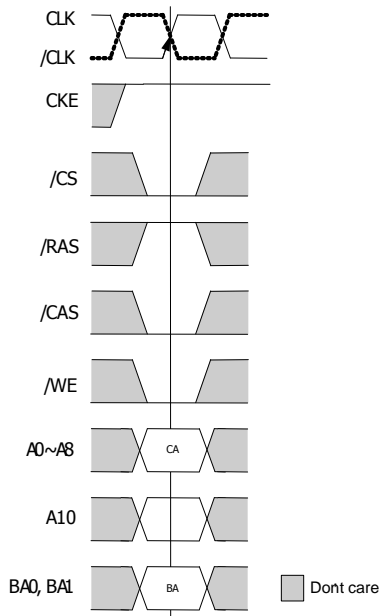
1. DOUT n = Data-Out from Column n.
2. Read to Precharge equals 2 tCK, which allows 2 data pairs of Data-Out.
3. Shown with nominal tAC, tDQSCS and tDQSQ

Write

The WRITE command is used to initiate a Burst Write access to an active row. The value of BA0, BA1 selects the bank and address inputs select the starting column location.

The value of A10 determines whether or not auto precharge is used. If auto precharge is selected, the row being accessed will be precharged at the end of the write burst; if auto precharge is not selected, the row will remain open for subsequent access. Input data appearing on the data bus, is written to the memory array subject to the DM input logic level appearing coincident with the data. If a given DM signal is registered low, the corresponding data will be written to the memory; if the DM signal is registered high, the corresponding data-inputs will be ignored, and a write will not be executed to that byte/column location. The memory controller drives the DQS during write operations. The initial low state of the DQS is known as the write preamble and the low state following the last data-in element is write postamble. Upon completion of a burst, assuming no new commands have been initiated, the I/O's will stay high-Z and any additional input data will be ignored.

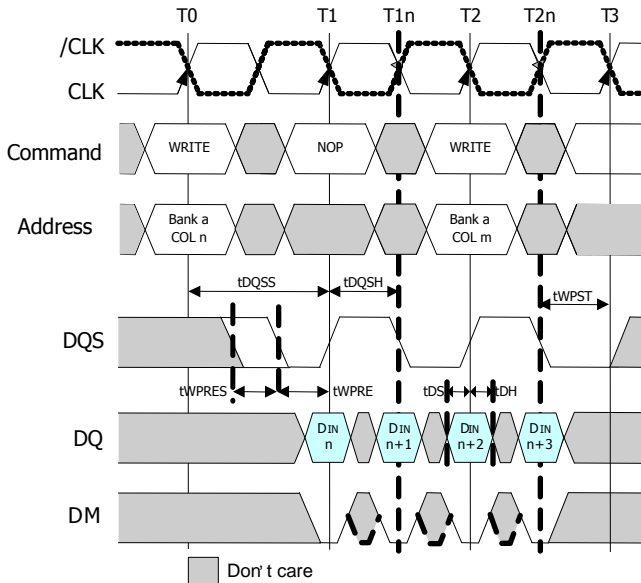
Figure20 : Write command



Notes :

1. CA : Column address
2. BA : Bank address
3. A10=High : Enable Auto precharge
A10=Low : Disable Auto precharge

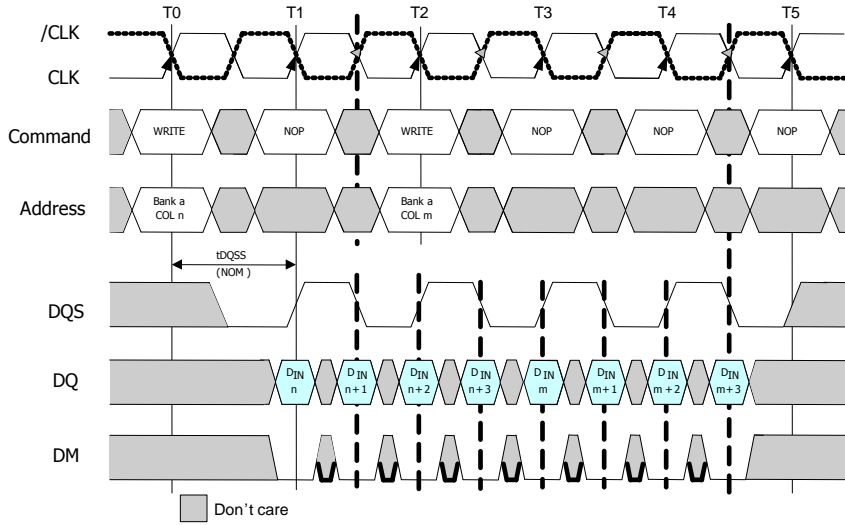
Figure21 : Write Burst (BL=4)



Notes:

1. Din n = Data-In from Column n.

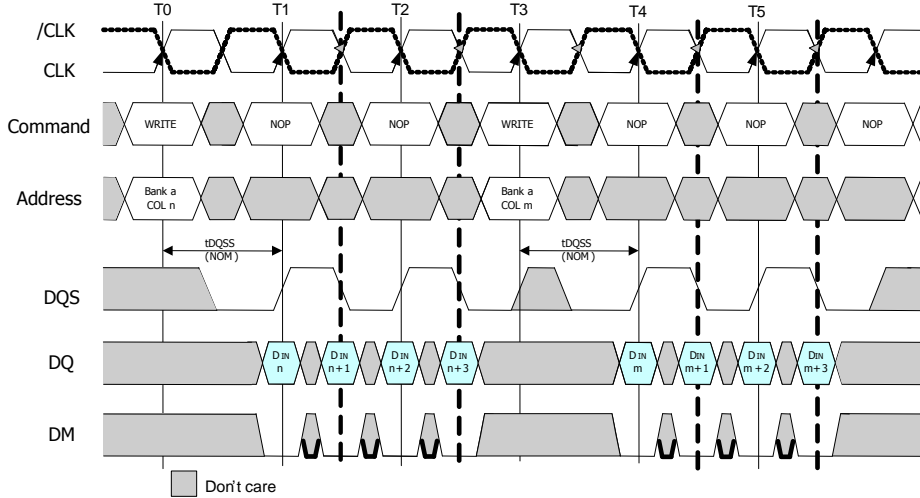
Figure22 : Consecutive Write to write (BL=4)



Notes:

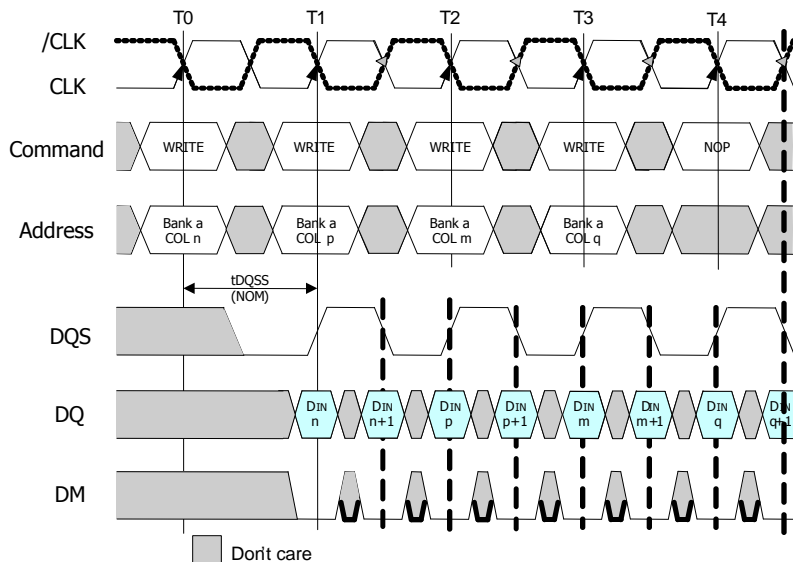
1. Din n = Data-In from Column n.
2. Each Write command may be to any banks.

Figure23 : Non-Consecutive Write to write (BL=4)

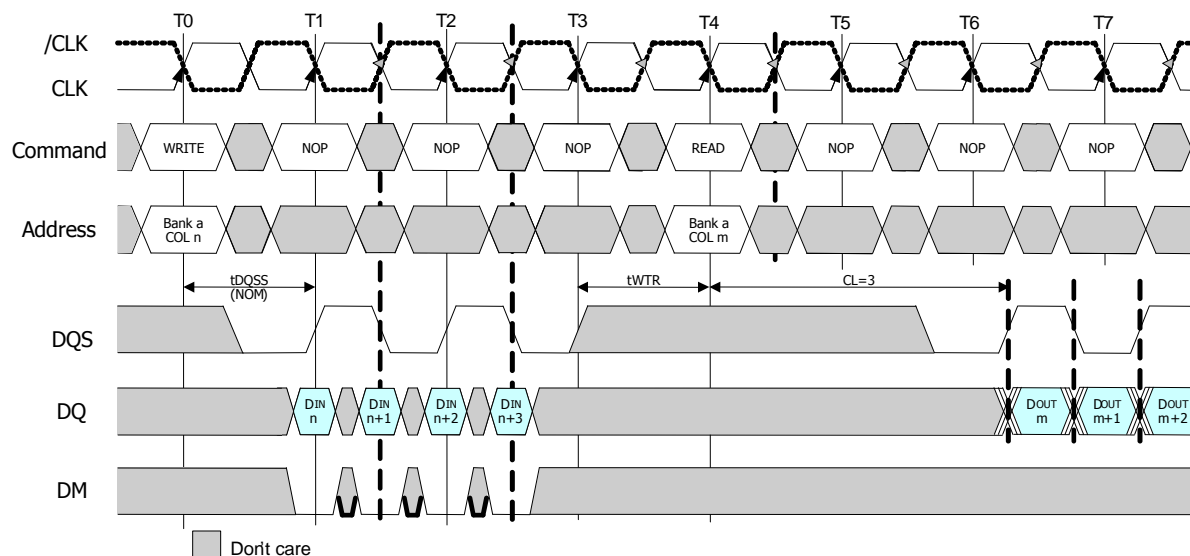


Notes:

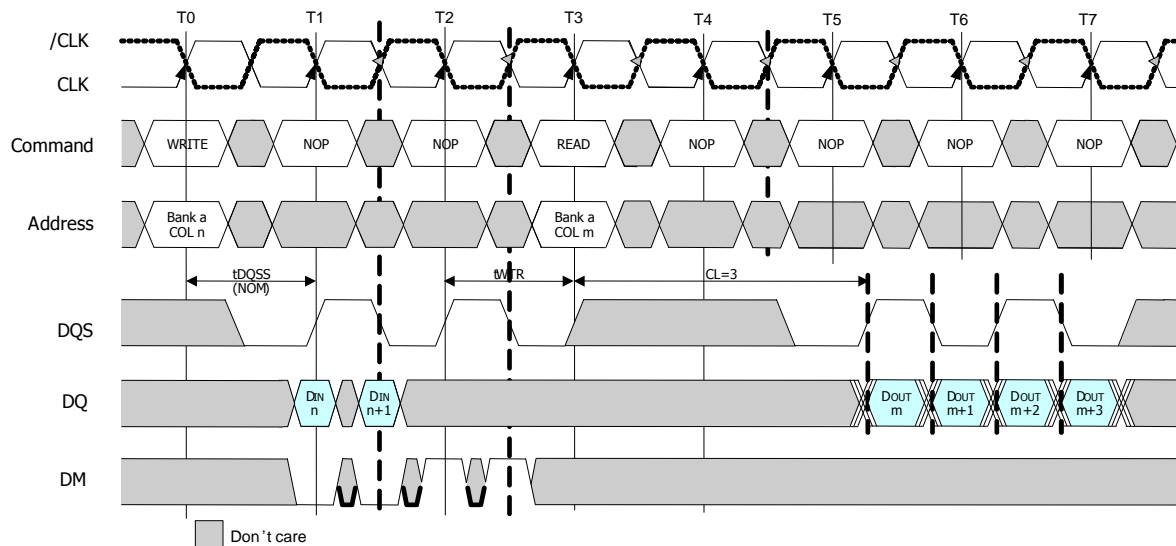
1. Din n = Data-In from Column n.
2. Each Write command may be to any banks.

Figure24 : Random Write to write

Notes:

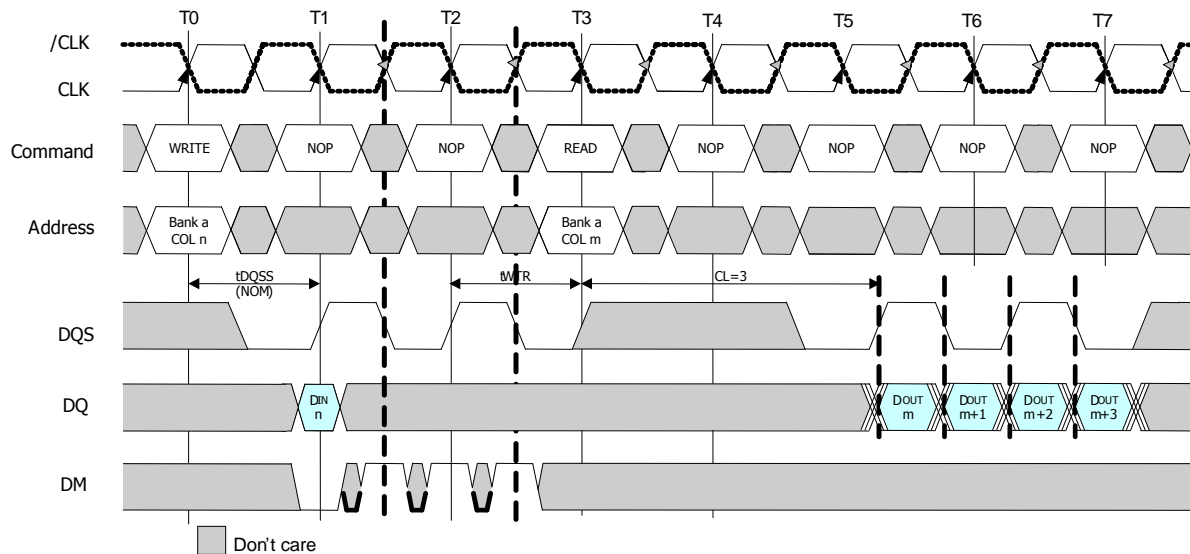
1. Din n,p,m,q = Data-In from Column n,p,m,q.
2. Each Write command may be to any banks.

Figure25 : Write to Read (Uninterrupting)

Notes:

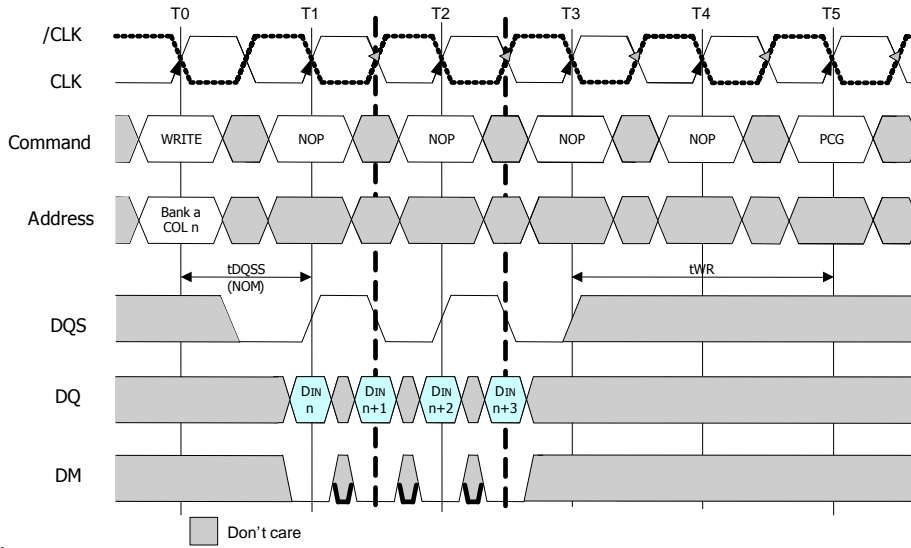
1. Din n = Data-In from Column n, Dout m = Data-Out from Column m.
2. tWTR is referenced from the first positive CK edge after the last data-in pair.
3. Read and Write command can be directed to different banks, in which case tWTR is not required and the Read command could be applied earlier.

Figure26 : Write to Read (Interrupting)

Notes:

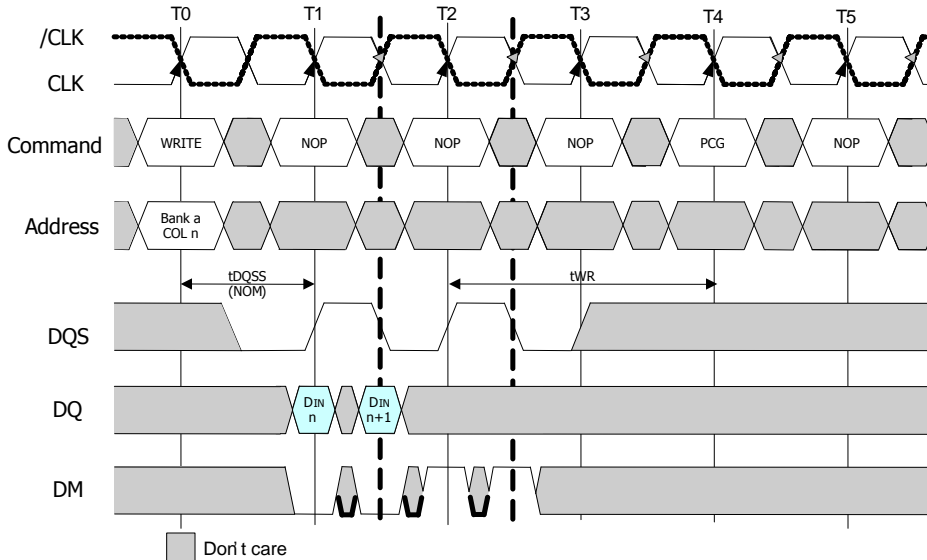
1. Din n = Data-In from Column n, Dout m = Data-Out from Column m.
2. tWTR is referenced from the first positive CK edge after the last data-in pair.

Figure27 : Write to Read (Odd number of data Interrupting)

Notes:

1. Din n = Data-In from Column n, Dout m = Data-Out from Column m.
2. tWTR is referenced from the first positive CK edge after the last data-in pair.

Figure28 : Write to Precharge (Uninterrupting)

Notes:

1. Din n = Data-In from Column n.
2. tWR is referenced from the first positive CK edge after the last data-in pair.
3. Read and Write command can be directed to different banks, in which case tWR is not required and the Read command could be applied earlier.

Figure29 : Write to Precharge (Interrupting)

Notes:

1. Din n = Data-In from Column n.
2. tWR is referenced from the first positive CK edge after the last data-in pair.
3. Read and Write command can be directed to different banks, in which case tWR is not required and the Read command could be applied earlier.

Figure30 : Write to Precharge (Odd number of data Interrupting)

Notes:

1. Din n = Data-In from Column n.
2. t_{WR} is referenced from the first positive CK edge after the last data-in pair.
3. Read and Write command can be directed to different banks, in which case t_{WR} is not required and the Read command could be applied earlier.

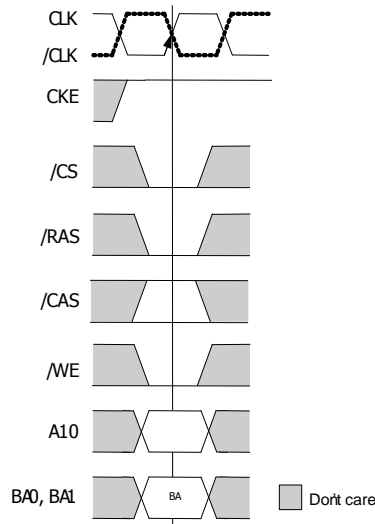
Precharge

The Precharge command is used to deactivate the open row in a particular bank or the open row in all banks. The banks will be available for subsequent row access some specified time (t_{RP}) after the Precharge command issued.

Input A10 determines whether one or all banks are to be precharged. In the case where only one bank is to be precharged (A10=Low), inputs BA0,BA1 select the banks.

When all banks are to be precharged (A10=High), inputs BA0,BA1 are treated as a "Don't Care". Once a bank has been precharged, it is in the idle state and must be activated prior to any Read or Write commands being issued to that bank.

Figure31 : Precharge command



Notes :

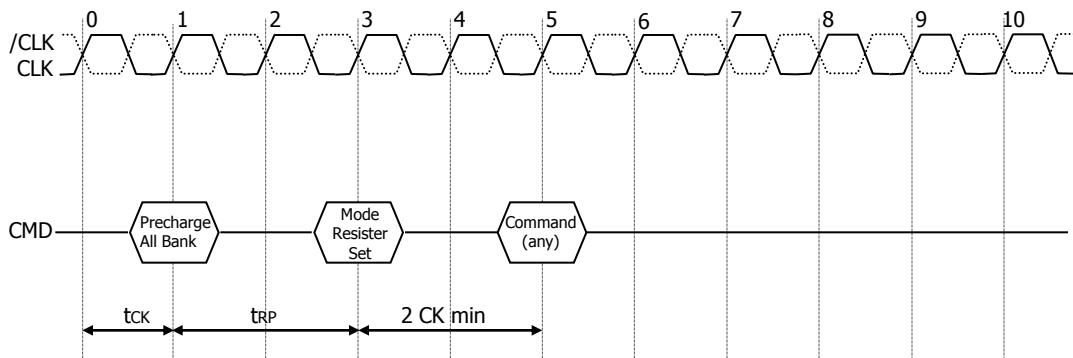
1. BA : Bank address

Mode Register

The mode register contains the specific mode of operation of the Mobile DDR SDRAM. This register includes the selection of a burst length (2, 4, 8, 16), a cas latency(2, 3), a burst type. The mode register set must be done before any activate command after the power up sequence.

Any contents of the mode register be altered by re-programming the mode register through the execution of mode register set command.

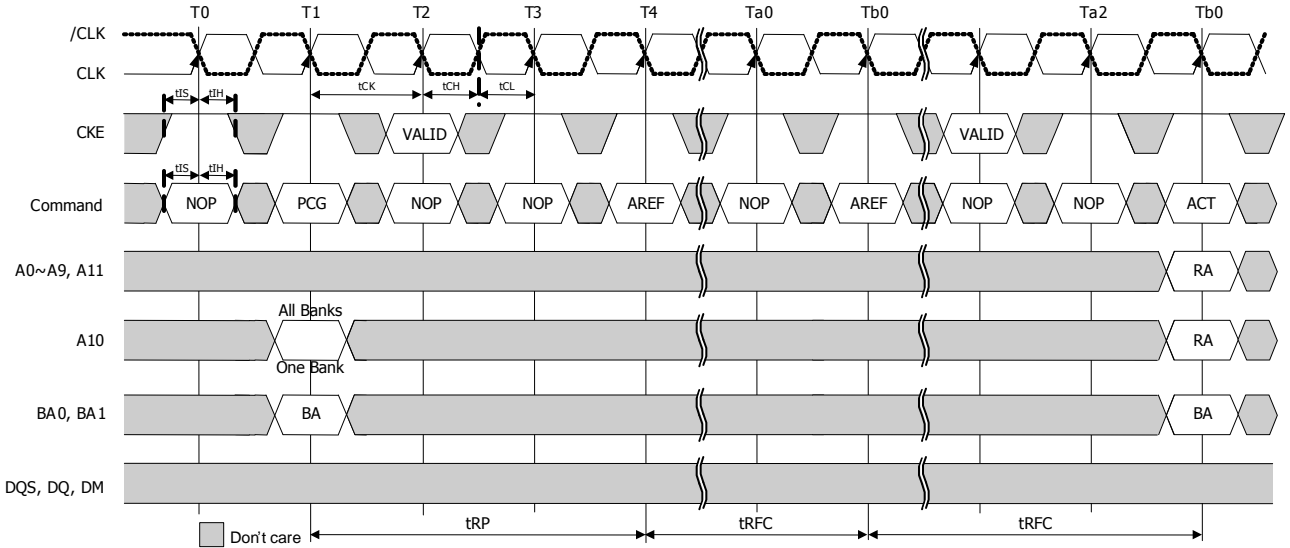
Figure32 : Mode Register Set



Auto refresh

The Auto refresh command is used during normal operation of the Mobile DDR. It is non persistent, so must be issued each time a refresh is required. The refresh addressing is generated by the internal refresh controller. The Mobile DDR requires AUTO REFRESH commands at an average periodic interval of t_{REFI} . To allow for improved efficiency in scheduling and switching between tasks, some flexibility in the absolute refresh interval is provided. A maximum of eight AUTO REFRESH commands can be posted to any given Mobile DDR, and the maximum absolute interval between any AUTO REFRESH command and the next AUTO REFRESH command is $8 \cdot t_{REFI}$.

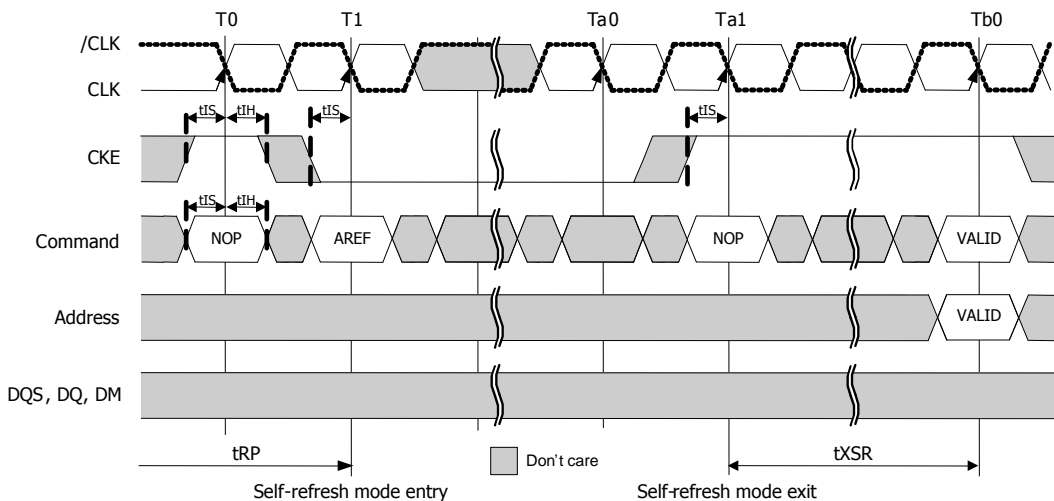
Figure33 : Auto refresh



Self refresh

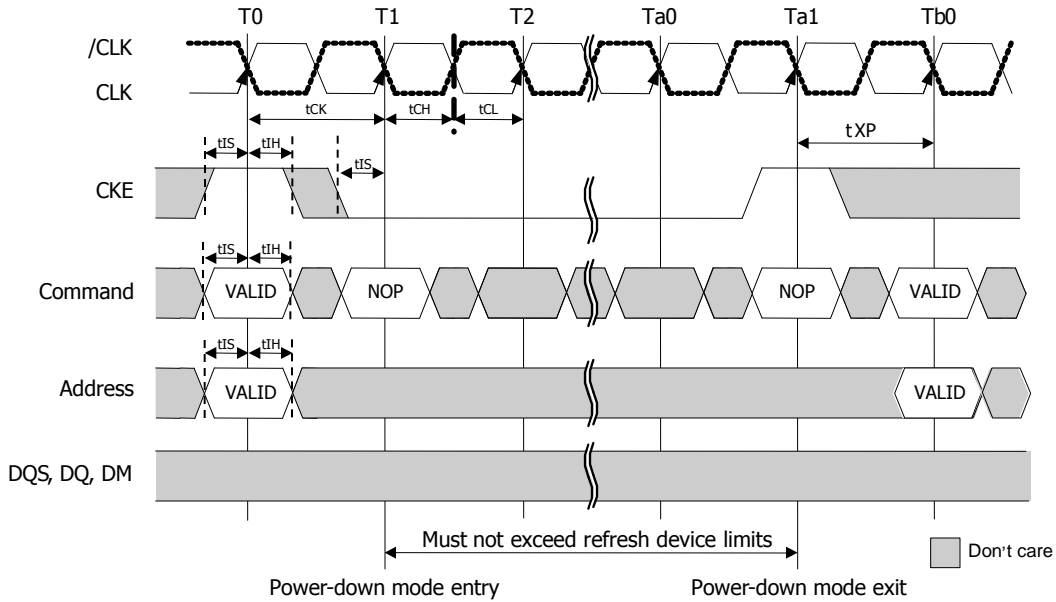
This state retains data in the Mobile DDR, even if the rest of the system is powered down (even without external clocking). Note refresh interval timing while in Self Refresh mode is scheduled internally in the Mobile DDR and may vary and may not meet t_{REFI} time. "Don't Care" except CKE, which must remain low. An internal refresh cycle is scheduled on Self Refresh entry. The procedure for exiting Self Refresh mode requires a series of commands. First clock must be stable before CKE going high. NOP commands should be issued for the duration of the refresh exit time (t_{XSR}), because time is required for the completion of any internal refresh in progress. The use of SELF REFRESH mode introduces the possibility that an internally timed event can be missed when CKE is raised for exit from self refresh mode.

Figure34 : Self refresh

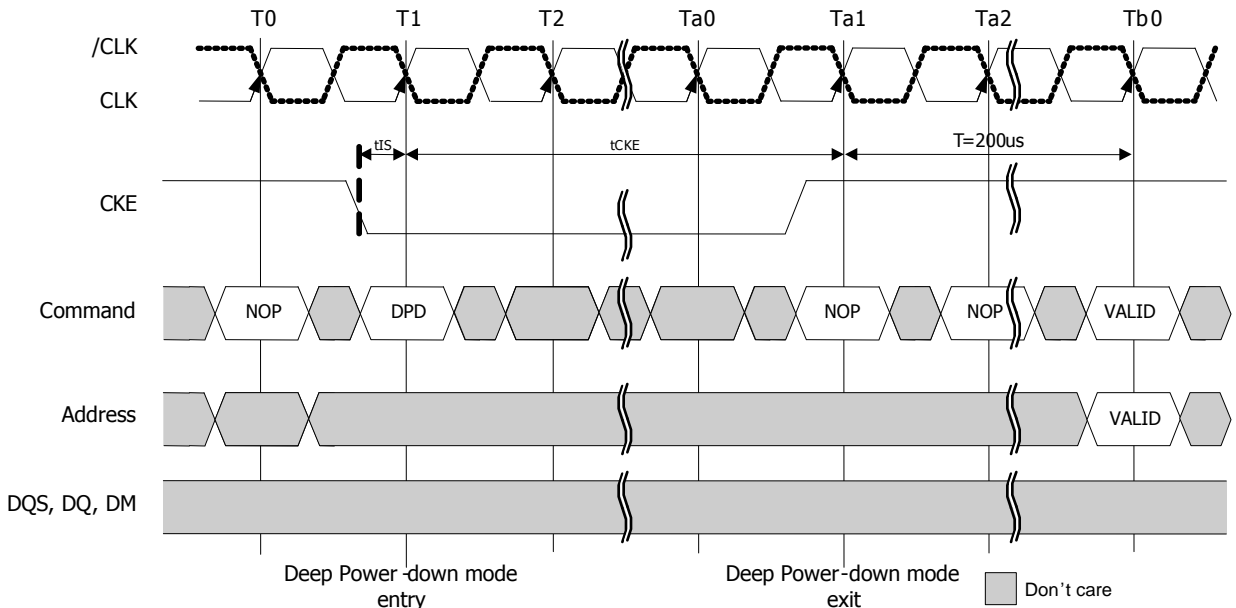


Power down

Power down occurs if CKE is set low coincident with Device Deselect or NOP command and when no accesses are in progress. If power down occurs when all banks are idle, it is Precharge Power Down. If Power down occurs when one or more banks are Active, it is referred to as Active power down. The device cannot stay in this mode for longer than the refresh requirements of the device, without losing data. The power down state is exited by setting CKE high while issuing a Device Deselect or NOP command. A valid command can be issued after tXP.

Figure35 : Power down (Active or Precharge)

Deep Power down

The Deep Power-Down (DPD) mode enables very low standby currents. All internal voltage generators inside the Mobile DDR are stopped and all memory data is lost in this mode. All the information in the Mode Register and the Extended Mode Register is lost. Next Figure, DEEP POWER-DOWN COMMAND shows the DEEP POWER-DOWN command. All banks must be in idle state with no activity on the data bus prior to entering the DPD mode. While in this state, CKE must be held in a constant low state. To exit the DPD mode, CKE is taken high after the clock is stable and NOP command must be maintained for at least 200 us.

Figure36 : Deep Power down


Clock Stop Mode

Clock stop mode is a feature supported by Mobile DDR SDRAM devices. It reduces clock-related power consumption during idle periods of the device.

Conditions: the Mobile DDR SDRAM supports clock stop in case:

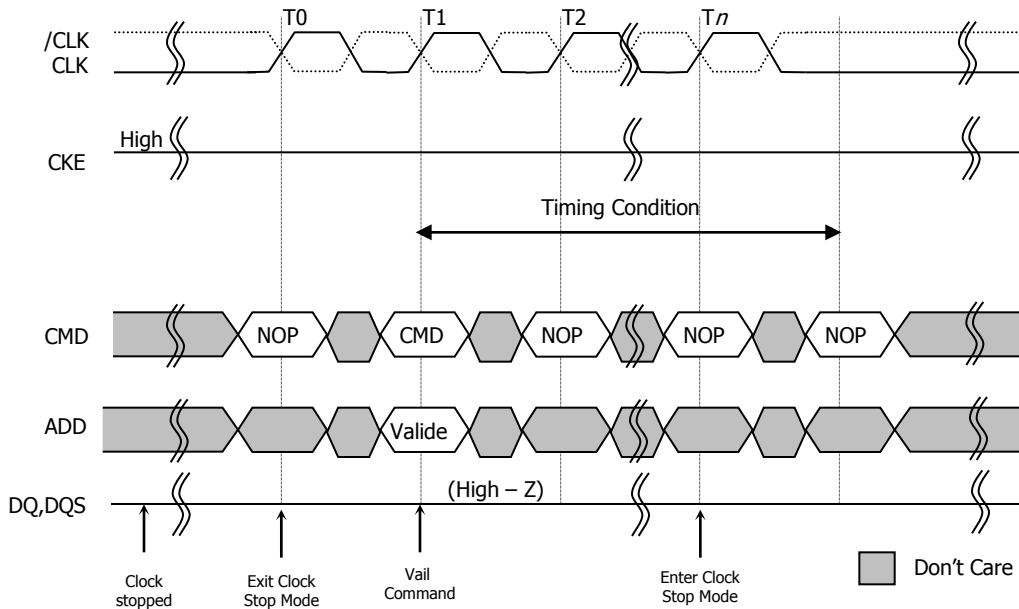
- The last access command (ACTIVE, READ, WRITE, PRECHARGE, AUTO REFRESH or MODE REGISTER SET) has executed to completion, including any data-out during read bursts; the number of required clock pulses per access command depends on the device's AC timing parameters and the clock frequency;
- The related timing condition (t_{RCD} , t_{WR} , t_{RP} , t_{RFC} , t_{MRD}) has been met;
- CKE is held HIGH.

When all conditions have been met, the device is either in "idle" or "row active" state, and clock stop mode may be entered with CK held LOW and /CK held HIGH. Clock stop mode is exited when the clock is restarted. NOPs command have to be issued for at least one clock cycle before the next access command may be applied. Additional clock pulses might be required depending on the system characteristics.

Figure37 illustrates the clock stop mode:

- Initially the device is in clock stop mode;
- The clock is restarted with the rising edge of T_0 and a NOP on the command inputs;
- With T_1 a valid access command is latched; this command is followed by NOP commands in order to allow for clock stop as soon as this access command has completed;
- T_n is the last clock pulse required by the access command latched with T_1 .
- The timing condition of this access command is met with the completion of T_n ; therefore T_n is the last clock pulse required by this command and the clock is then stopped.

Figure 37 : Clock Stop Mode



Ordering Information – VDD = 1.8V
Commercial Range: (0°C to +70°C)

| Configuration | Frequency (MHz) | Speed (ns) | Order Part No. | Package |
|---------------|-----------------|------------|------------------|------------------------|
| 8Mx16 | 200 | 5 | IS43LR16800G-5BL | 60-ball BGA, Lead-free |
| 8Mx16 | 166 | 6 | IS43LR16800G-6BL | 60-ball BGA, Lead-free |

Industrial Range: (-40°C to +85°C)

| Configuration | Frequency (MHz) | Speed (ns) | Order Part No. | Package |
|---------------|-----------------|------------|-------------------|------------------------|
| 8Mx16 | 200 | 5 | IS43LR16800G-5BLI | 60-ball BGA, Lead-free |
| 8Mx16 | 166 | 6 | IS43LR16800G-6BLI | 60-ball BGA, Lead-free |

Automotive Range, A1: (-40°C to +85°C)

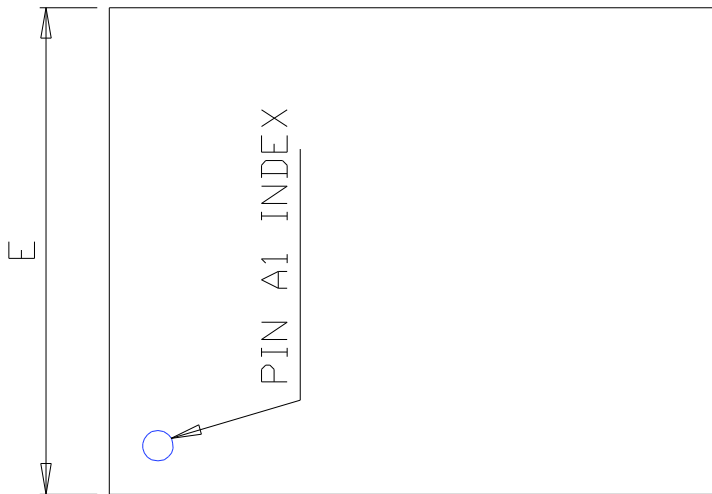
| Configuration | Frequency (MHz) | Speed (ns) | Order Part No. | Package |
|---------------|-----------------|------------|--------------------|------------------------|
| 8Mx16 | 200 | 5 | IS46LR16800G-5BLA1 | 60-ball BGA, Lead-free |
| 8Mx16 | 166 | 6 | IS46LR16800G-6BLA1 | 60-ball BGA, Lead-free |

Automotive Range, A2: (-40°C to +105°C)

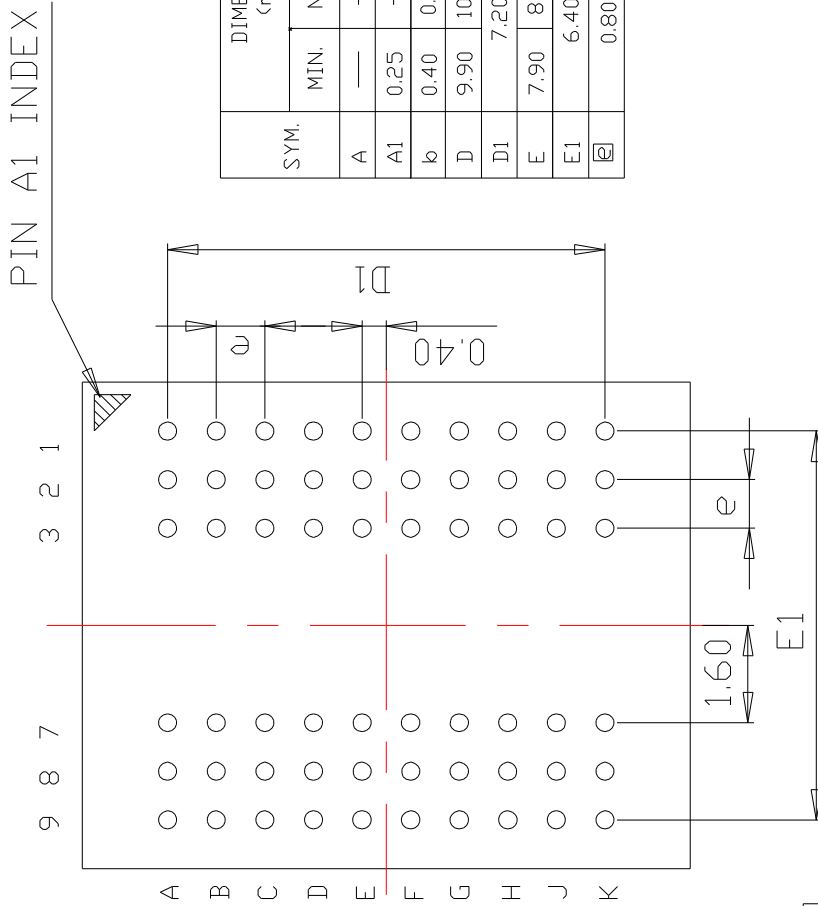
| Configuration | Frequency (MHz) | Speed (ns) | Order Part No. | Package |
|---------------|-----------------|------------|--------------------|------------------------|
| 8Mx16 | 200 | 5 | IS46LR16800G-5BLA2 | 60-ball BGA, Lead-free |
| 8Mx16 | 166 | 6 | IS46LR16800G-6BLA2 | 60-ball BGA, Lead-free |

Note: The -6 speed option supports -75 timing specifications.

TOP VIEW



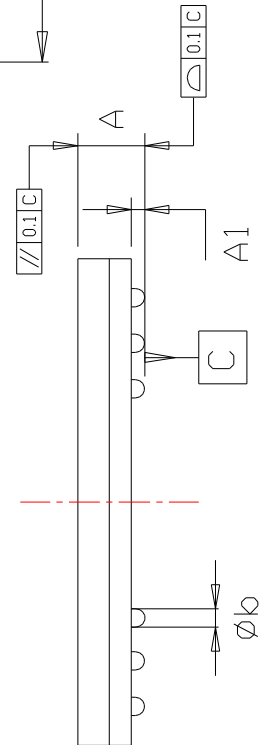
BOTTOM VIEW



| SYM. | DIMENSION (mm) | | |
|------|----------------|-------|-------|
| | MIN. | NDM. | MAX. |
| A | — | — | 1.10 |
| A1 | 0.25 | — | 0.40 |
| b | 0.40 | 0.45 | 0.50 |
| D | 9.90 | 10.00 | 10.10 |
| D1 | 7.20 BSC | | |
| E | 7.90 | 8.00 | 8.10 |
| E1 | 6.40 BSC | | |
| e | 0.80 BSC | | |

NOTE :

1. Controlling dimension : mm
2. Reference document : JEDEC MO-207



60B 8x10mm TF-BGA
Package Outline

TITLE

REV.

A

DATE

07/07/2009