

OPD-AR20
ISSUE 2

MICRO SWITCH

A DIVISION OF AMSTERDAM-BOSWELL REGULATOR COMPANY
PRESIDENT, HAWAII
FED. MFR. CODE 91929

SWITCH - ENCLOSED

CATALOG LISTING
OPD-AR20

OPD-AR20

M

DRAWING NUMBER

12

ISSUE

12

REPLACES

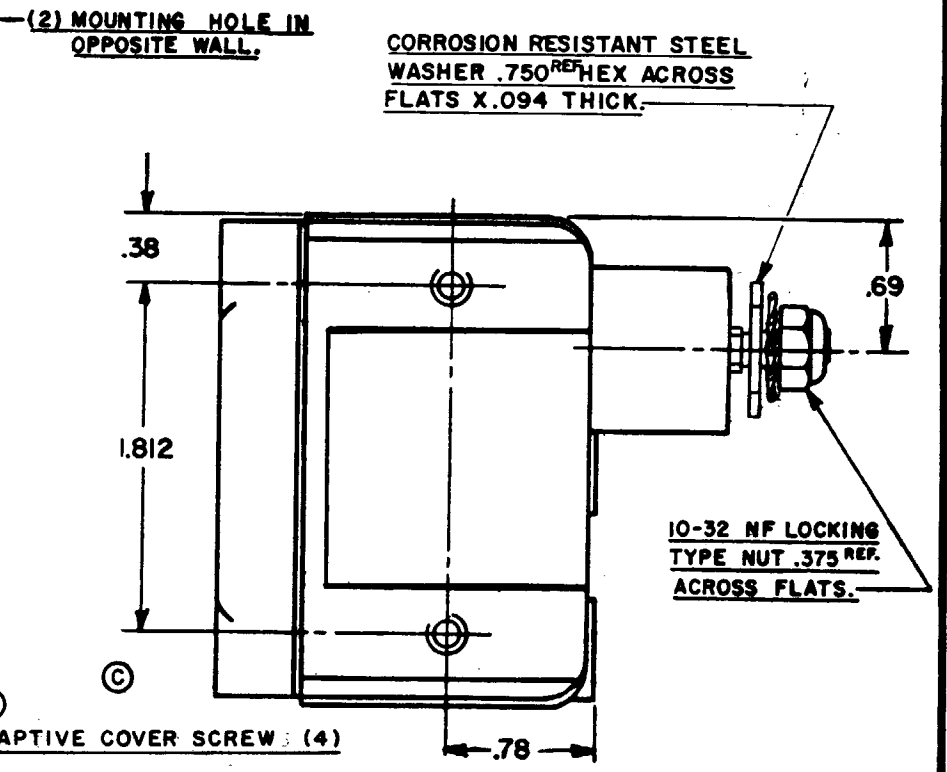
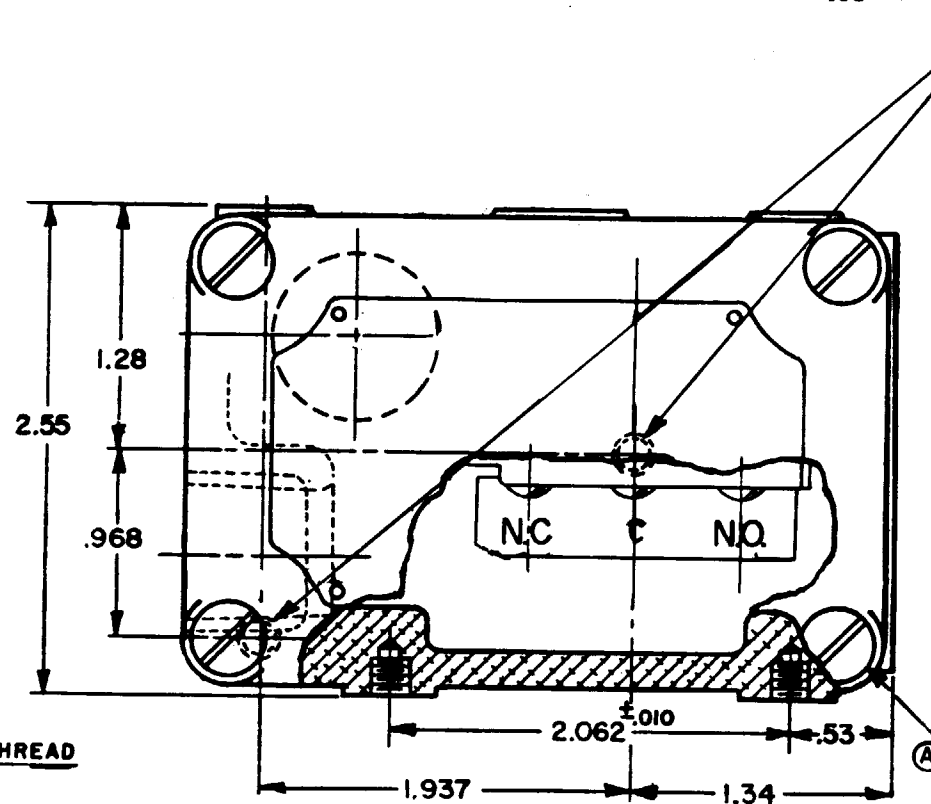
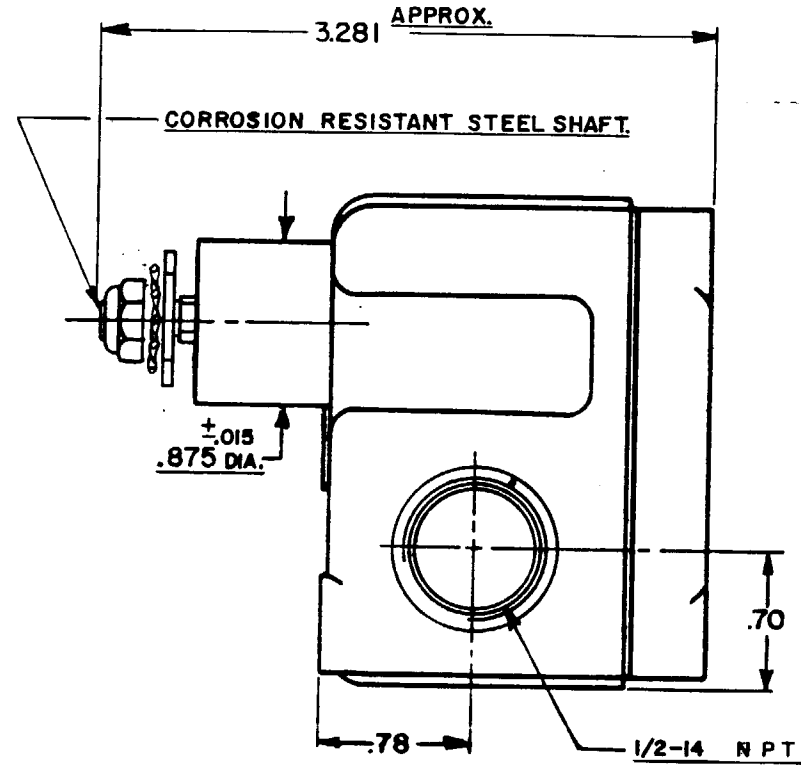
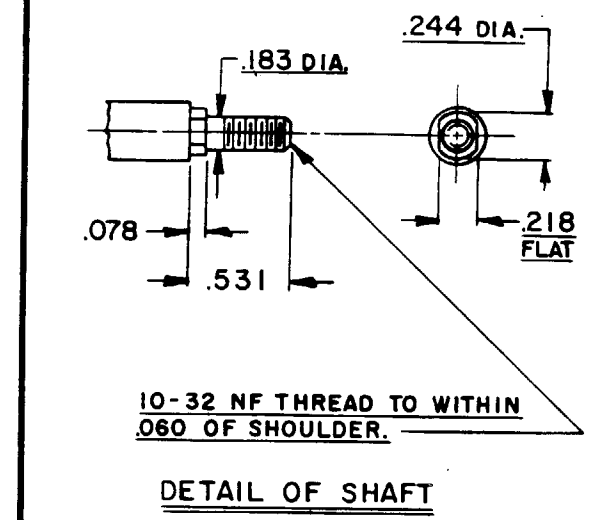
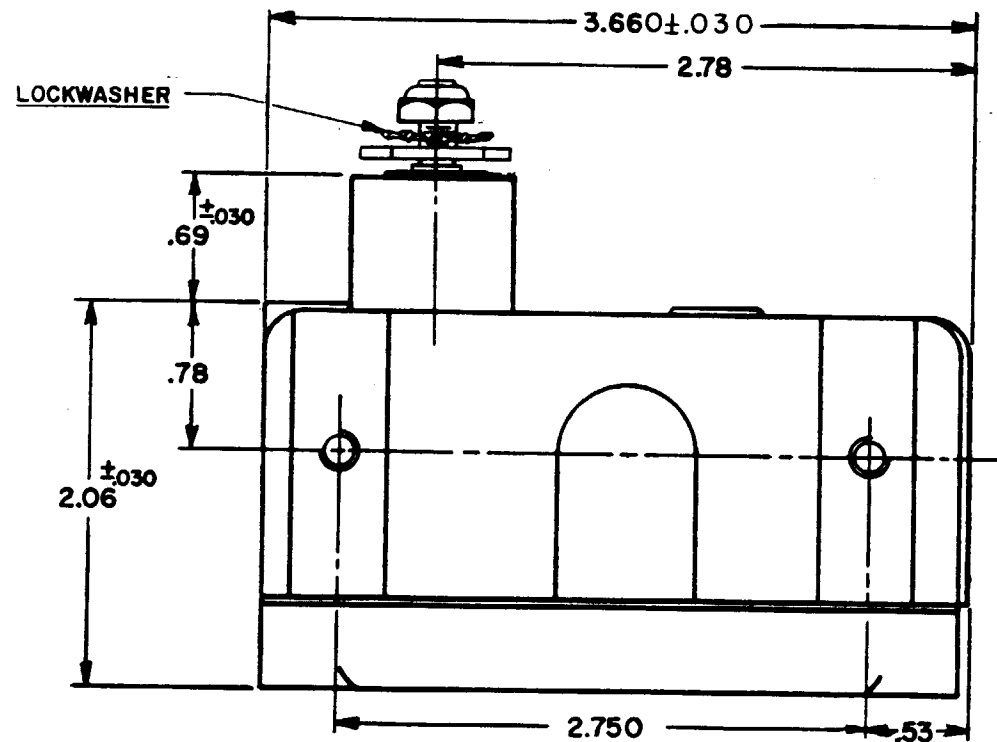
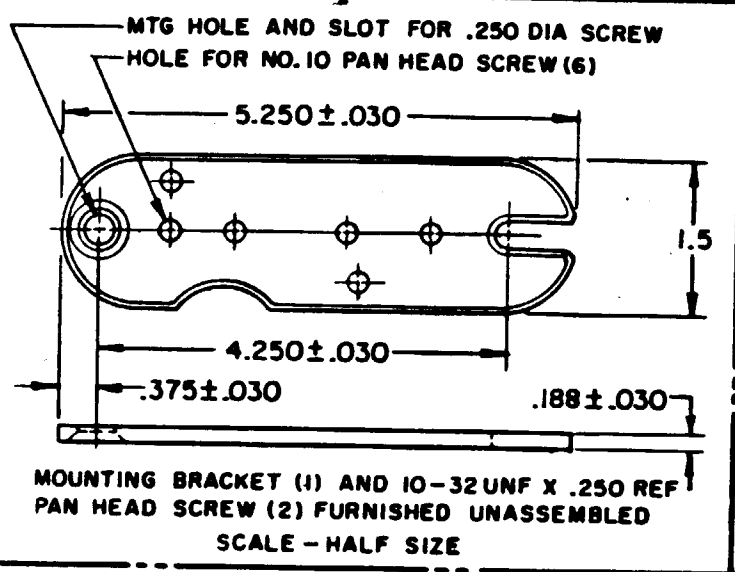
C.M.T. 10 SEPT. 55

RELEASE NO.

55

REVISIONS

A	C.O. 9182	C.M.A.	31 AUG. 55
B	CO13350	M.B.F.	16 JAN. 59
C	CO13827	L.S.D.	17 JULY 59
D	CO15608	M.B.F.	10 FEB. 61
E	CO18276	M.B.F.	22 JUNE 64
F	CO19878	M.B.F.	13 OCT. 66
G	CO26103	JAS	5 NOV. 84
H	CO55987	G.C.H.	12 SEPT. 55
J	CO55031	G.J.W.	26 MAR. 85
K	CO73344	G.J.W.	10 OCT. 92



CHARACTERISTICS	
PRETRAVEL	----- 10° MAX.
DIFFERENTIAL TRAVEL	----- 5° MAX.
OVERTRAVEL	---- DO NOT OVERTRAVEL MORE THAN 25°
SWITCH BASIC REPLACEMENT DT-2R4-A7	

ELECTRICAL DATA	
CONTACT ARRANGEMENT D. P. D. T.	
-L59-	10 A-125 OR 250 VAC. 0.3 A-125 VDC; 0.15 A-250 VDC

SCALE FULL		
DO NOT SCALE PRINT		
UNLESS OTHERWISE SPECIFIED DIMENSIONS ARE IN INCHES		
TOLERANCES ARE:		
ONE PLACE	(.0)	±.030
TWO PLACE	(.00)	±.015
THREE PLACE	(.000)	±.005
ANGLES		±
WEIGHT		

NOTE-

- 1-(8) MOUNTING SCREW HOLES, 10-32 NF-2B THREADS X .219 REF. DEEP.
- 2-4-40 NC X.125 REF. ROUND HEAD TERMINAL SCREWS AND LOCKWASHERS.
- 3-SEALED CONSTRUCTION PROVIDES SPLASH RESISTANCE.
- 4-SWITCH OPERATES ON RIGHT HAND CLOCKWISE ROTATION.

THIS DRAWING COVERS A PROPRIETARY ITEM AND IS THE PROPERTY OF MICRO SWITCH, A DIVISION OF AMSTERDAM-BOSWELL. THIS DRAWING IS NOT TO BE COPIED OR USED WITHOUT THE APPROVAL OF MICRO SWITCH.