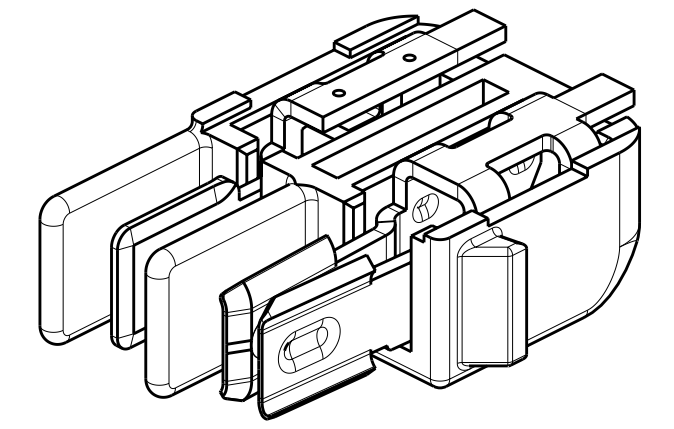
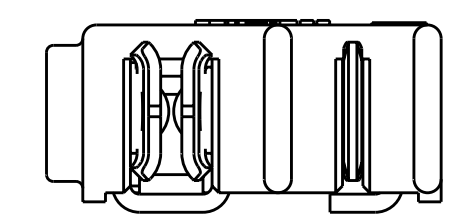
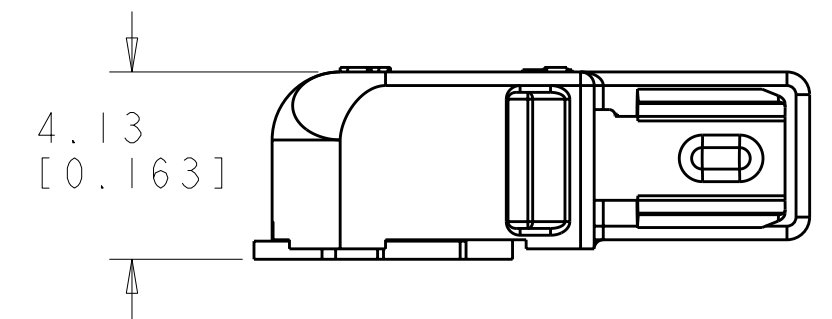
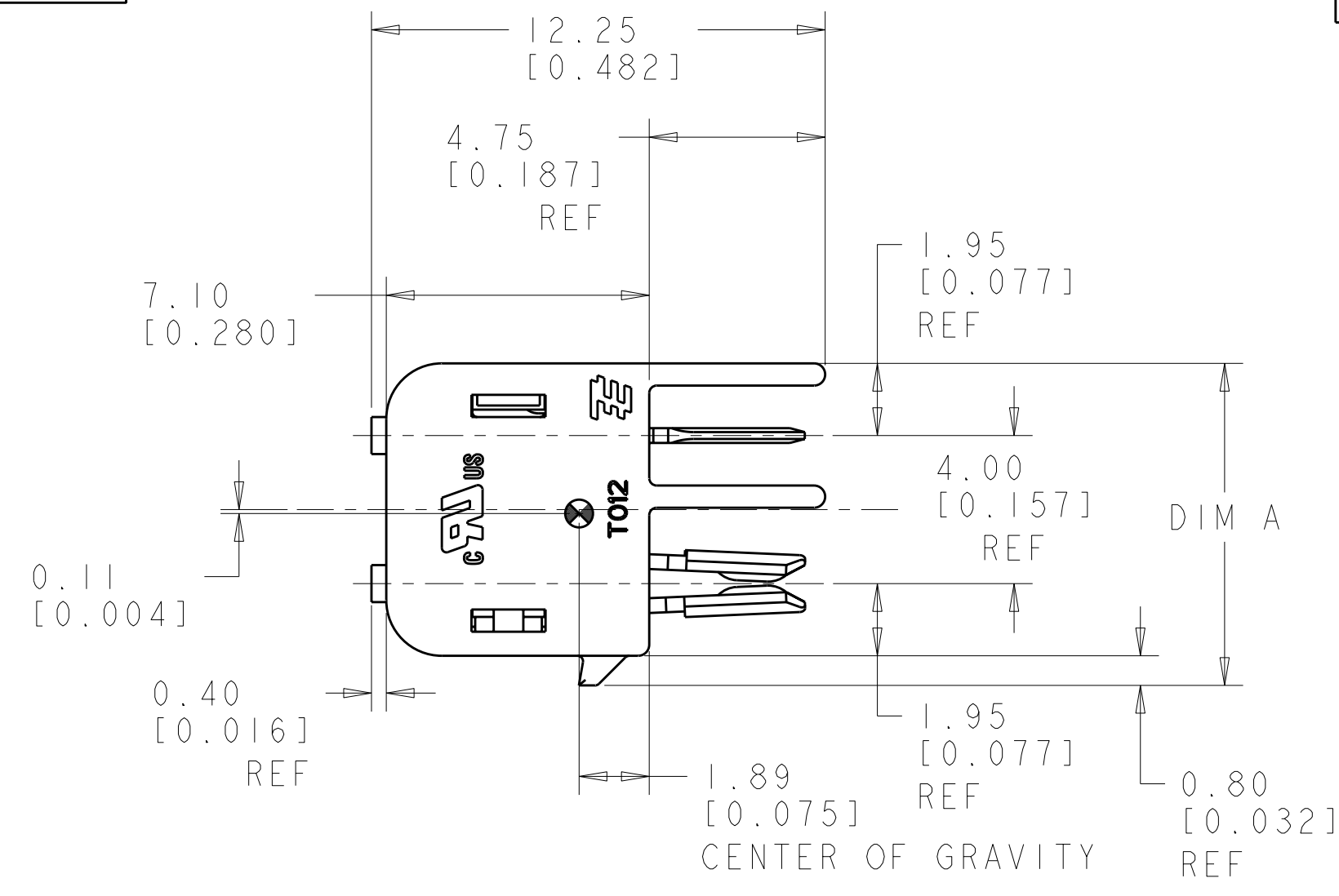


THIS DRAWING IS UNPUBLISHED. RELEASED FOR PUBLICATION 20  
 © COPYRIGHT 20 BY - ALL RIGHTS RESERVED.

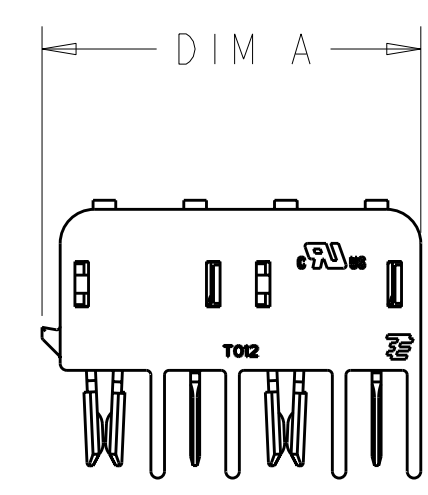
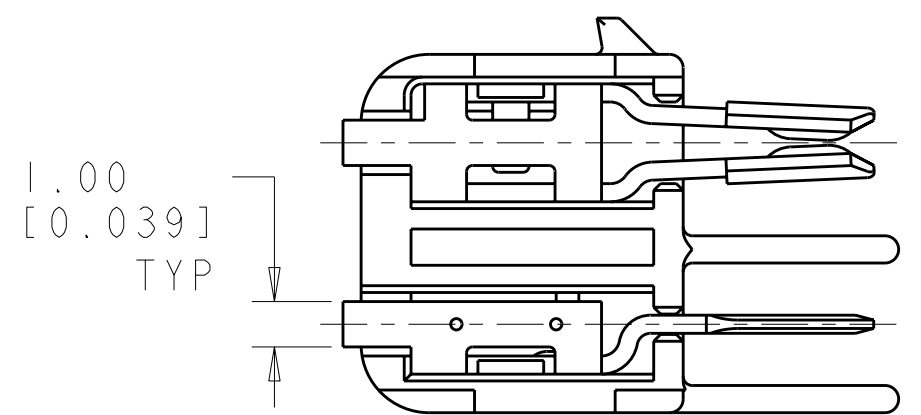
LOC		DIST		REVISIONS			
P	LTR	DESCRIPTION	DATE	DWN	APVD		
B1		REVISED PER ECO-11-004587	11MAR2011	RK	HMR		
B2		REVISED PER ECR-11-015323	29JUL2011	RK	DD		

NOTES:

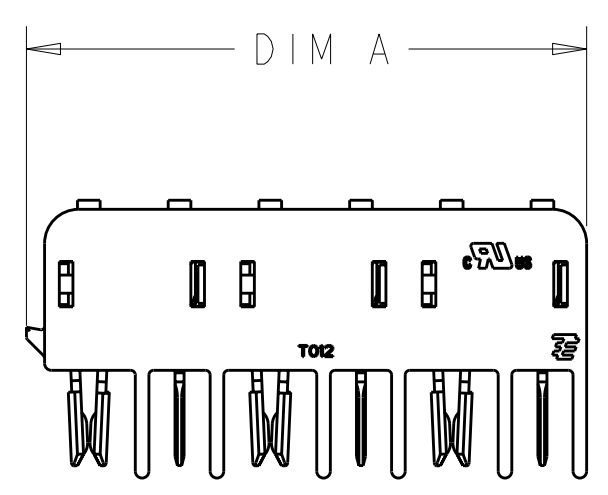
- 1. MATERIALS AND FINISH
  - HOUSING: LCP
  - CONTACTS: COPPER ALLOY, FINISH: TIN
- 2. PRODUCT TO COMPLY WITH DIRECTIVE 2002/95/EC (ROHS)
- 3. PACKAGED IN TAPE AND REEL PER EIA-481 SPECIFICATIONS



2058703-1/  
1-2058703-1  
SHOWN



2058703-2/  
1-2078503-2  
SCALE 3:1



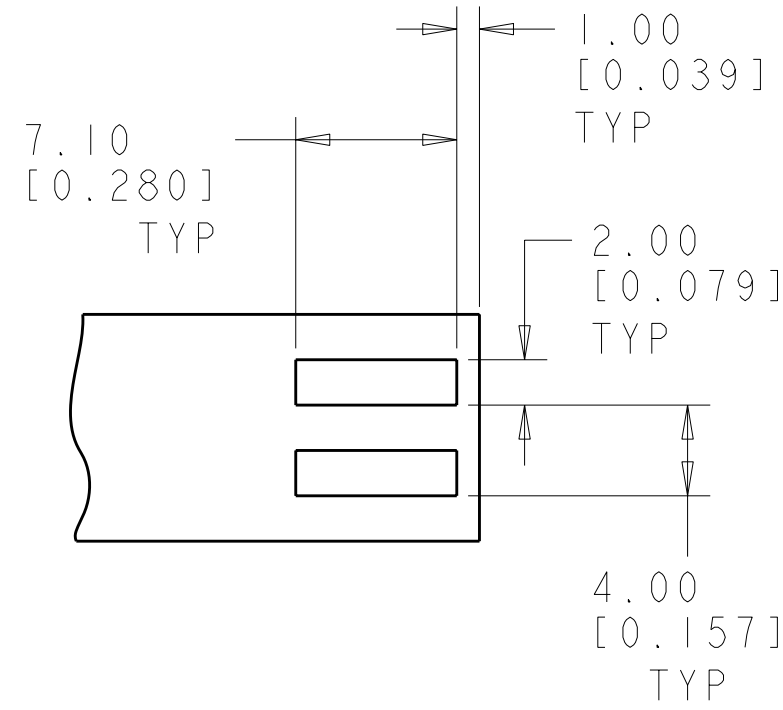
2058703-3/  
1-2078503-3  
SCALE 3:1

POSITION	COLOR	DIM A	PART NO.
6	BLACK	24.70	1-2058703-3
4	BLACK	16.70	1-2058703-2
2	BLACK	8.70	1-2058703-1
6	NATURAL	24.70	2058703-3
4	NATURAL	16.70	2058703-2
2	NATURAL	8.70	2058703-1

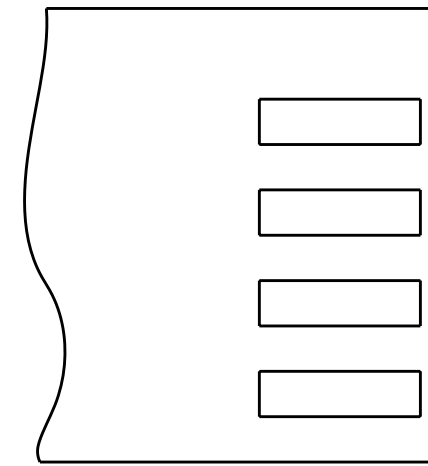
THIS DRAWING IS A CONTROLLED DOCUMENT.		DWN S. FISHER 18AUG2008	TE Connectivity															
		CHK R. NARANG 18AUG2008																
DIMENSIONS: mm		TOLERANCES UNLESS OTHERWISE SPECIFIED:		NAME CONNECTOR ASSEMBLY, HERMAPHRODITIC BLADE AND RECEPTACLE, WITH LATCH														
<table border="1"> <tr><td>0 PLC</td><td>±</td></tr> <tr><td>1 PLC</td><td>±</td></tr> <tr><td>2 PLC</td><td>±0.13</td></tr> <tr><td>3 PLC</td><td>±0.013</td></tr> <tr><td>4 PLC</td><td>±</td></tr> <tr><td>ANGLES</td><td>±°</td></tr> <tr><td>FINISH</td><td></td></tr> </table>		0 PLC	±	1 PLC	±	2 PLC	±0.13	3 PLC	±0.013	4 PLC	±	ANGLES	±°	FINISH		PRODUCT SPEC 108-2342	SIZE A2	CAGE CODE 00779
0 PLC	±																	
1 PLC	±																	
2 PLC	±0.13																	
3 PLC	±0.013																	
4 PLC	±																	
ANGLES	±°																	
FINISH																		
MATERIAL		APPLICATION SPEC 114-13225	DRAWING NO. 2058703	RESTRICTED TO														
		WEIGHT -	SCALE 1:1	SHEET 1 OF 2														
		CUSTOMER DRAWING	REV B2															

THIS DRAWING IS UNPUBLISHED. RELEASED FOR PUBLICATION 20  
 © COPYRIGHT 20 BY - ALL RIGHTS RESERVED.

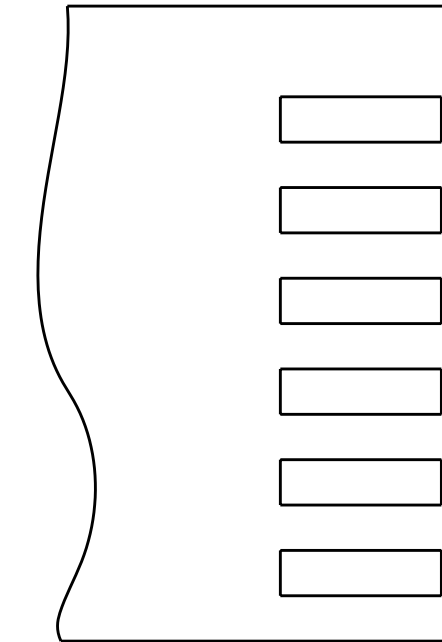
LOC		DIST		REVISIONS			
P	LTR	DESCRIPTION	DATE	DWN	APVD		
-	-	SEE SHEET 1	-	-	-		



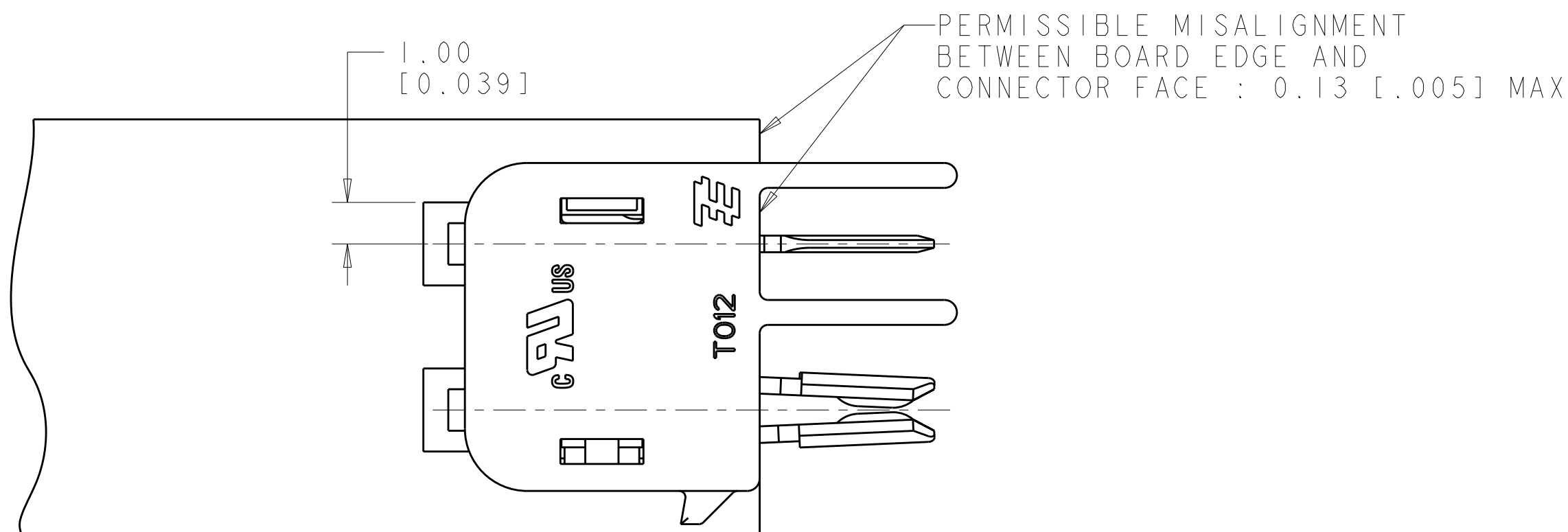
RECOMMENDED PCB LAYOUT  
FOR 2058703-1 & 1-2058703-1



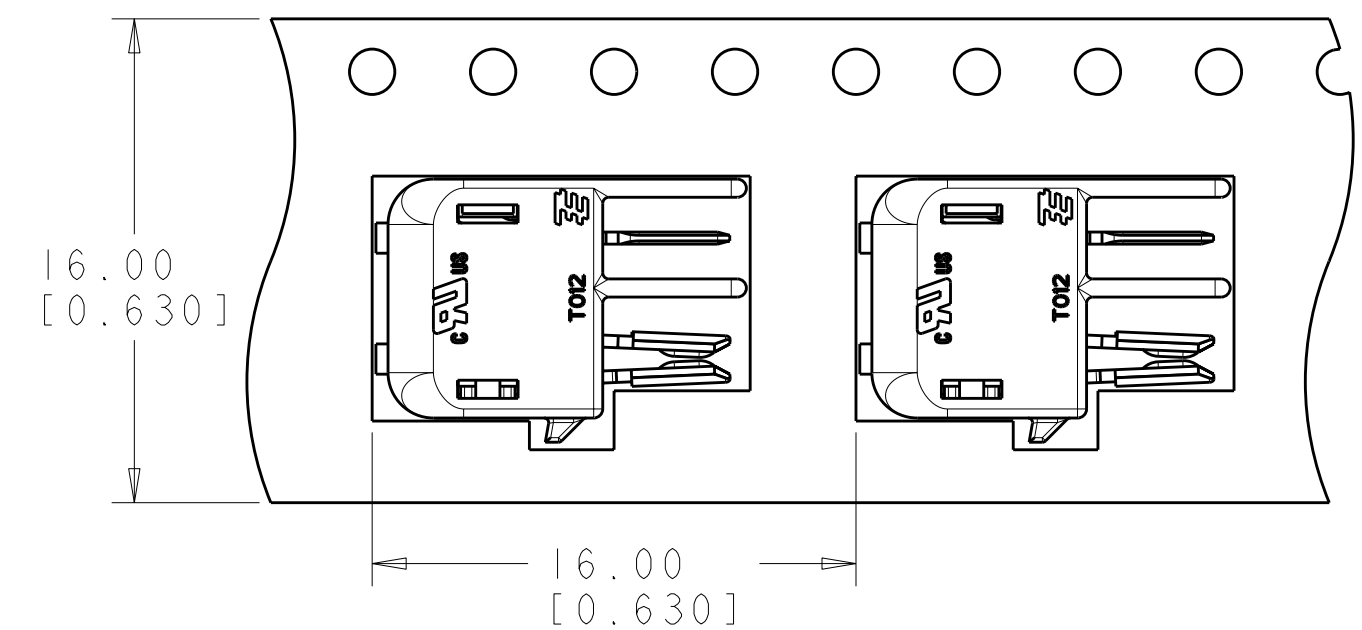
RECOMMENDED PCB LAYOUT  
FOR 2058703-2 & 1-2058703-2



RECOMMENDED PCB LAYOUT  
FOR 2058703-3 & 1-2058703-3



SCALE 8:1



TO BE PACKAGED AS SHOWN  
SCALE 4:1

THIS DRAWING IS A CONTROLLED DOCUMENT.		DWN S FISHER 18AUG2008	<b>STE</b> TE Connectivity	
		CHK R NARANG 18AUG2008		
DIMENSIONS: mm		APVD -	NAME CONNECTOR ASSEMBLY, HERMAPHRODITIC BLADE AND RECEPTACLE, WITH LATCH	
TOLERANCES UNLESS OTHERWISE SPECIFIED:		PRODUCT SPEC 108-2342	RESTRICTED TO	
0 PLC ±		APPLICATION SPEC 114-13225	SIZE A200779	DRAWING NO C-2058703
1 PLC ±		WEIGHT -	SCALE 6:1	SHEET 2 OF 2
2 PLC ±0.13		CUSTOMER DRAWING	REV B2	
3 PLC ±0.013				
4 PLC ±				
ANGLES ±°				
FINISH				