

PART NAME: KNOB      SCALE: 1:1      DATE: 2/26/64      DR. BY LSP

THIS DRAWING IS THE PROPERTY OF DAVIES MOLDING COMPANY, IS SUBMITTED SOLELY AS A DESIGN OR ENGINEERING PROJECT. WE ACCEPT NO RESPONSIBILITY WHATSOEVER FOR THE PRACTICAL APPLICATION OF THE PIECES MADE TO THIS DESIGN.



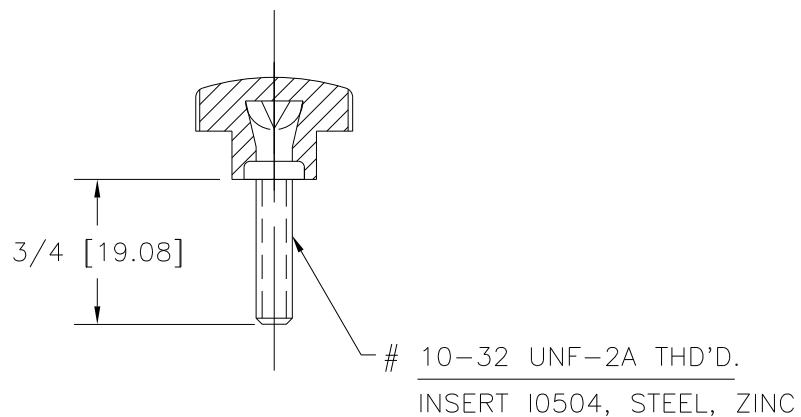
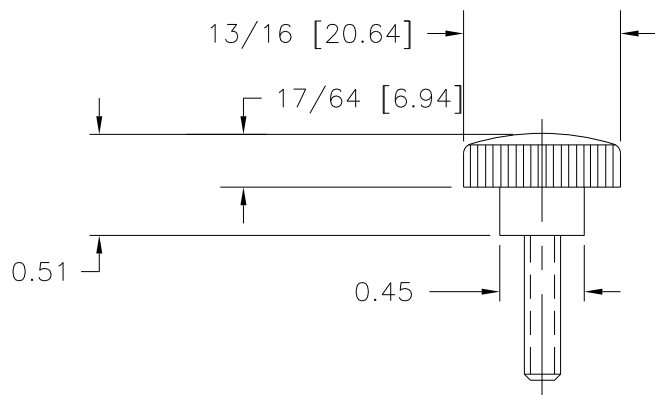
DESIGNERS & MANUFACTURERS  
OF KNOBS, HANDLES, CASES &  
CUSTOM PLASTIC COMPONENTS

P/N 2730-B

M NO. 2730

CAD/REDRAWN : 6/7/93 : HD

|           |        |
|-----------|--------|
| CAVITY    | 2730   |
| PLUNGER   | 2730   |
| PIN       | 2730-1 |
| PIN PLATE | 2730-A |
| INSERT    | I0504  |



MATERIAL: G.P. PHENOLIC (B11)  
COLOR: BLACK

|   |                                   |         |  |  |
|---|-----------------------------------|---------|--|--|
| TOLERANCES:<br>UNLESS OTHERWISE SPECIFIED | DO NOT SCALE<br>DRAWING           |         |  |  |
| DECIMALS: X.XXX ± .005<br>X.XX  ± .015    | MM: X.XX ± 0.15MM<br>X.X  ± 0.4MM |         |  |  |
| FRACTIONS ± 1/64                          | ANG. ± 1°                         | CHANGES |  |  |