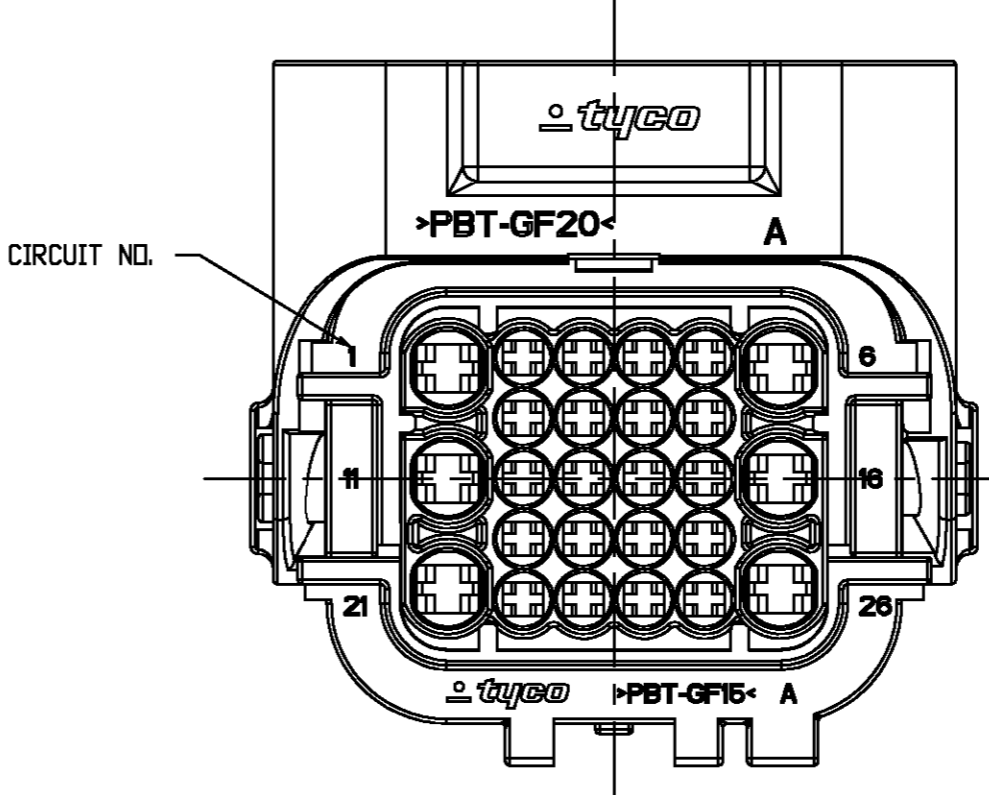
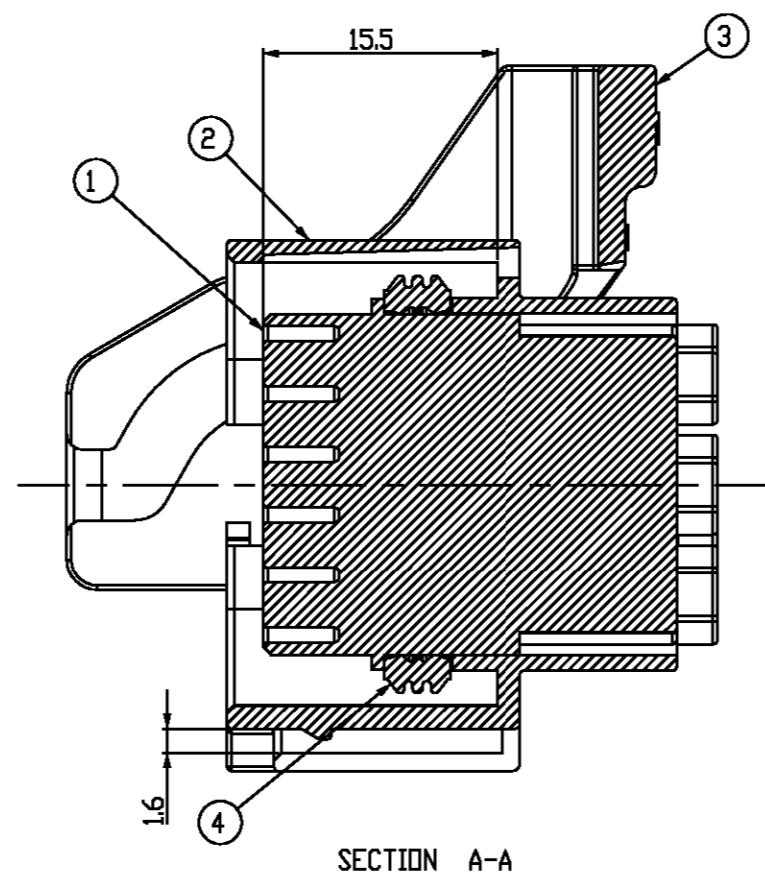
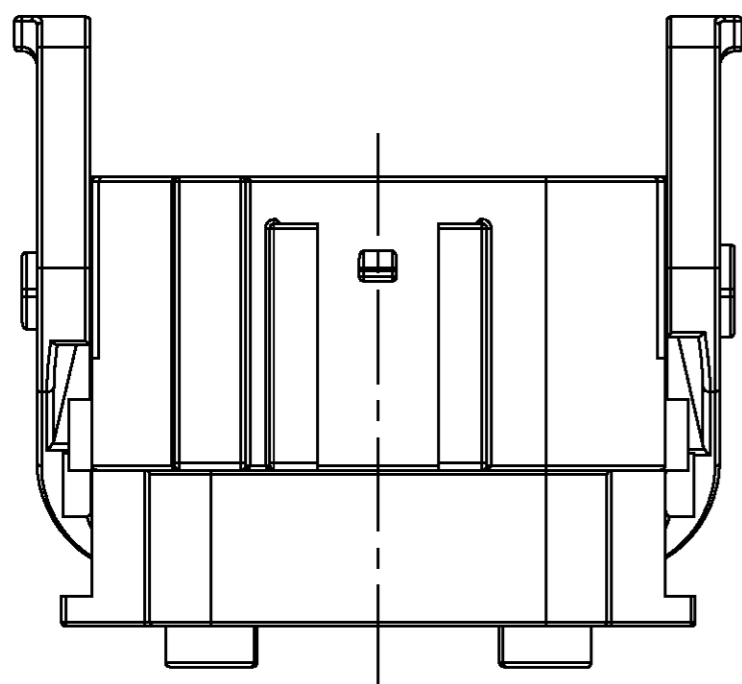
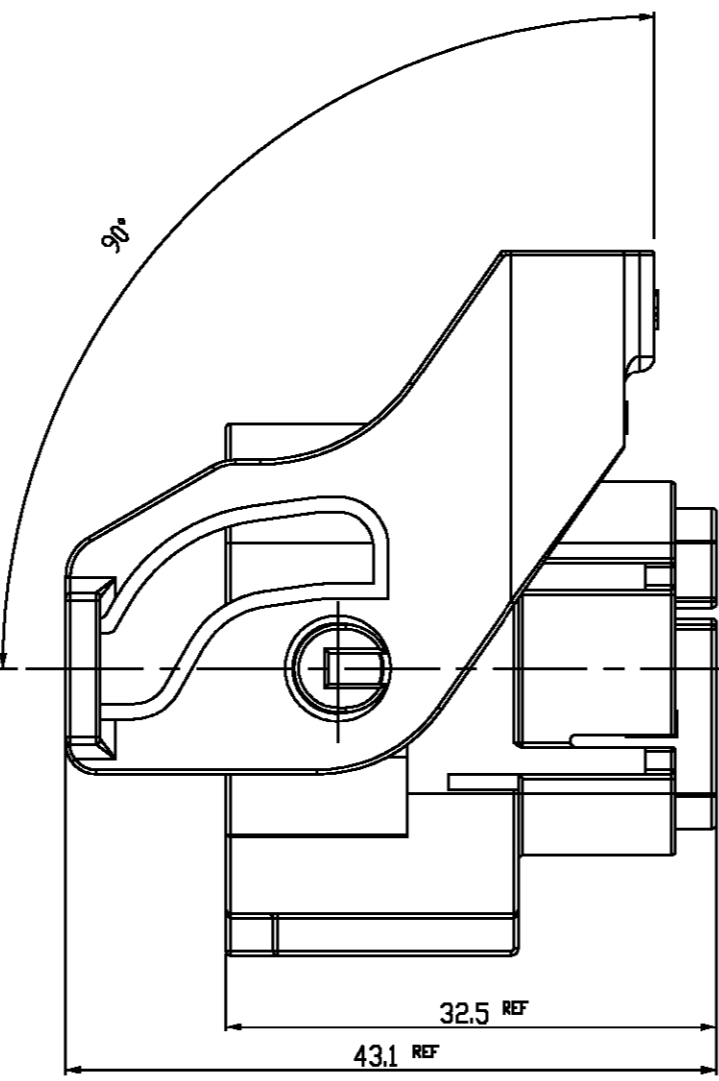
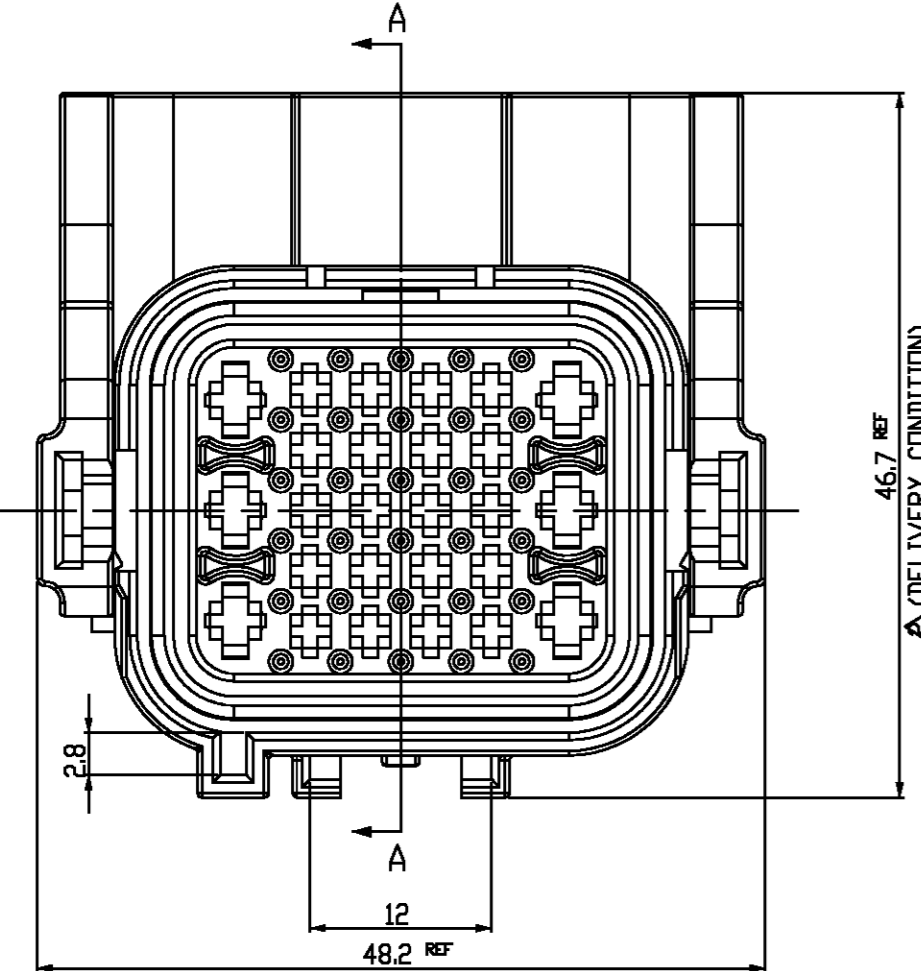
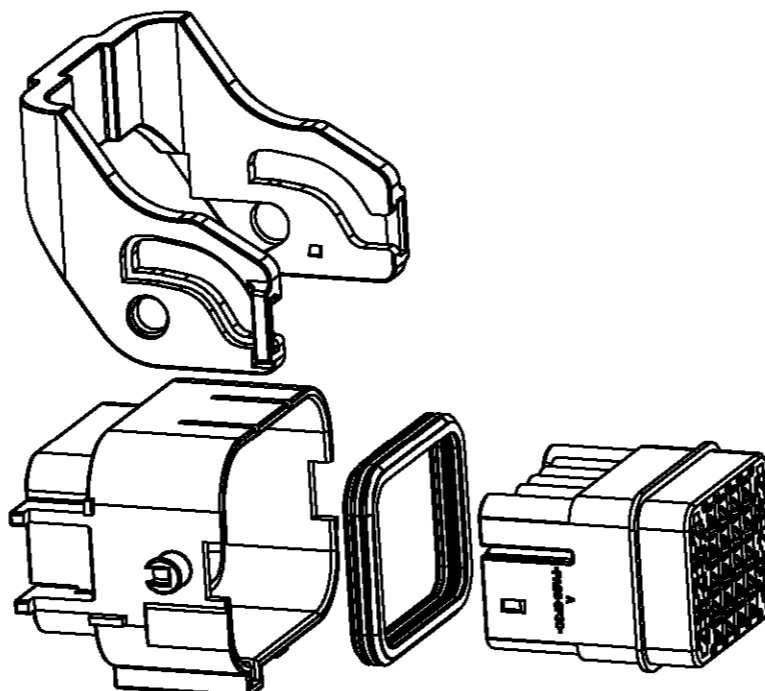
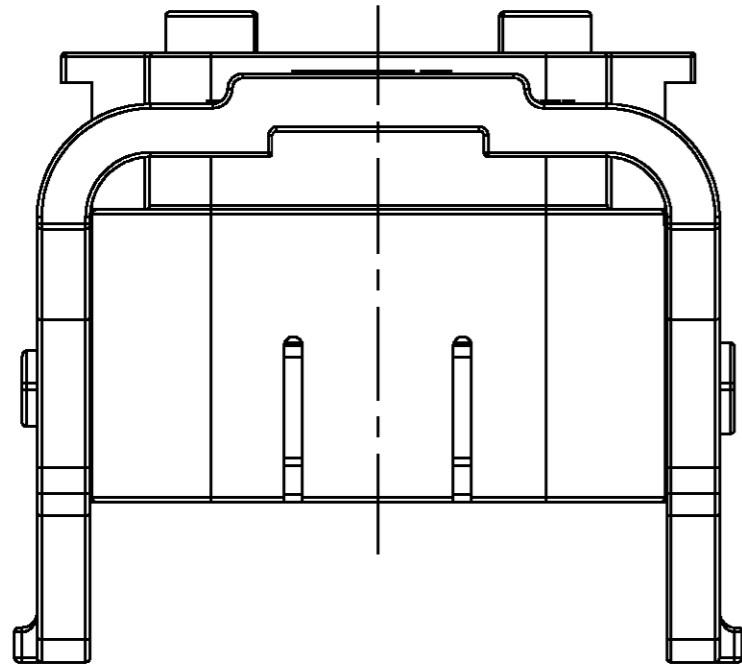


THIS DRAWING IS UNPUBLISHED. RELEASED FOR PUBLICATION

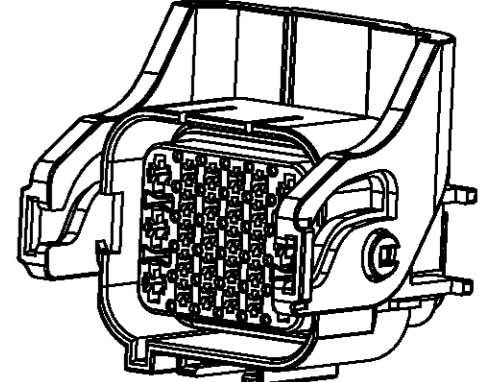
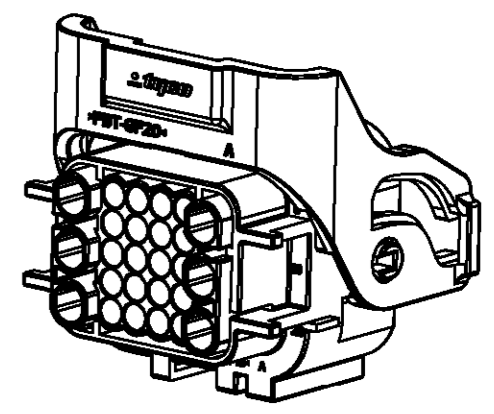
© COPYRIGHT BY TYCO ELECTRONICS CORPORATION. ALL RIGHTS RESERVED.

LOC	DIST	REVISIONS					
		P	LTR	DESCRIPTION	DATE	DWN	APVD
DS		A		RELEASED	02/OCT/06	CH	JK



<TABLE 1>

TYPE	PART NO.	WIRE SIZE(mm)	Insulation DIA(mm)	Applicable WIRE(Reference)	FINISH
MTII	0-962875-1	0.2~0.5	1.2~1.6	AVSSXF 0.5 Max	CuSn4
	0-962875-3				CuSn4(GOLD)
	0-962876-1	0.5~1.0	1.4~2.1	AVSSXF 0.85 Max	CuSn4
0-962876-3	CuSn4(GOLD)				
JPT	0-927770-3	0.5~1.0	1.4~2.1	FLK 1.0 Max	CuSn4
	2-927770-1				CuSn4(GOLD)
	0-927766-3	1.0~2.5	2.2~3.0	AVSS 2.0 Max or FLR 2.5 Max	CuSn4
	2-927766-1				CuSn4(GOLD)



ISOMETRIC VIEW

<TABLE 2>

TYPE	PART NO.	WIRE INSULATION DIAMETER(mm)	COLOR
MTII	964971-1	1.2~1.6	RED
	963530-1	1.4~1.9	GRAY
	964972-1	1.9~2.1	YELLOW
JPT	963531-1	CAVITY PLUG	WHITE
	828904-2	1.2~2.1	BLUE
	828905-1	2.2~3.0	WHITE
	828922-1	CAVITY PLUG	NATURAL

NOTE
 1. GENERAL TOLERANCE: ±0.3, ±3°
 2. DELIVERY CONDITION
 3. APPLIED CAP P/NX-1897013-X
 4. APPLIED WIRE COVER P/NX-1897014-X
 5. APPLICABLE RECEPTACLE CONTACT P/N/TABLE 1
 6. APPLICABLE WIRE SEAL P/N/TABLE 2

NO	COLOR	MATERIAL	DESCRIPTION	Q'TY
④	RED	SILICONE	INNER SEAL	1
③	GRAY	PBT-GF20	LEVER	1
②	BLACK	PBT-GF15	MAIN PLUG	1
①	BLACK	PA66-GF30	FRONT PLUG	1

DIMENSIONS: MM 		TOLERANCES UNLESS OTHERWISE SPECIFIED: 0 PLC ± 1 PLC ± 2 PLC ± 3 PLC ± 4 PLC ± ANGLES ± FINISH		DWN OR PAK CHK BY DATE APVD JK DATE PRODUCT SPEC APPLICATION SPEC WEIGHT		tyco Electronics AMP KOREA Kyungsan, Korea	
MATERIAL: SEE TABLE		NAME: PLUG ASS'Y FOR MTII/JPT SEALED 26P CONN'R		SIZE: A2		CAGE CODE: C=	
		DRAWING NO: 1897009		RESTRICTED TO		SCALE: 2:1	
		CUSTOMER DRAWING		SHEET 1 OF 1		REV A	