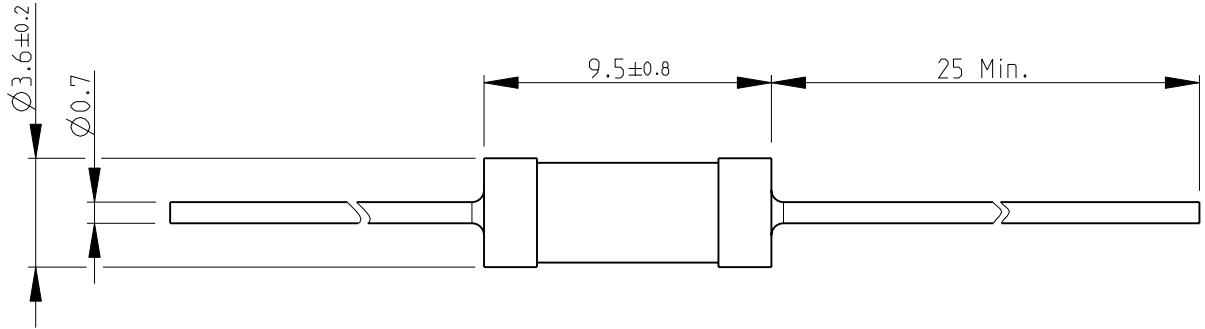
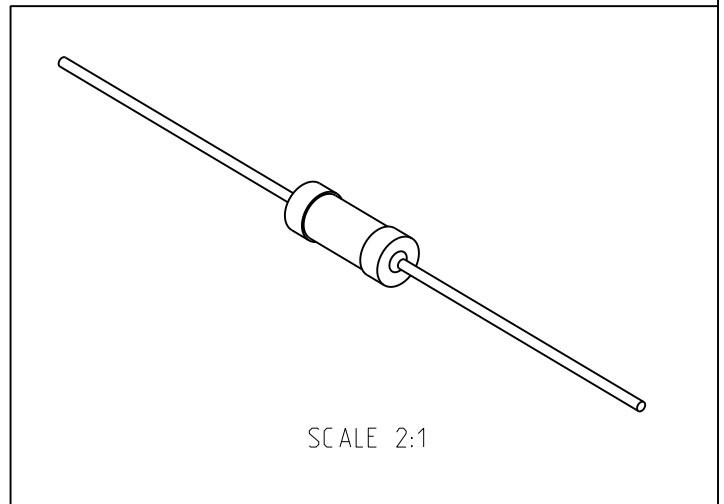


LOC	DIST	REVISIONS			
P	LTR	DESCRIPTION	DATE	DWN	APVD
E	B	A1	REVISED PER ECO-11-005150	29MAR2011	RK HMR

FOR FURTHER INFORMATION SEE DATA SHEET FOR  
CBT SERIES-CARBON COMPOSITION RESISTORS



RoHS Compliant



SCALE 2:1

2008


RELEASED FOR PUBLICATION

THIS DRAWING IS UNPUBLISHED.

ALL RIGHTS RESERVED.

BY -

© COPYRIGHT 2008

DIMENSIONS: mm	DWN	18-Sep-08	MATERIAL	-	FINISH	-
	CHK	18-Sep-08	 TE Connectivity			
TOLERANCES UNLESS OTHERWISE SPECIFIED:	APVD	18-Sep-08				
	0 PLC $\pm 0.2$	PRODUCT SPEC	SIZE	CAGE CODE	DRAWING NO	RESTRICTED TO
1 PLC $\pm 0.1$	-	-	A 4	00779	C-1625876	-
2 PLC $\pm$	APPLICATION SPEC	-	CUSTOMER DRAWING			
3 PLC $\pm$	-	-	SCALE	4:1	SHEET	1 OF 1
4 PLC $\pm$	WEIGHT	-	REV A1			
ANGLES $\pm 5^\circ$	