

Chassis Mount

# DL Series

## Step Down Multi-Tapped Power Isolating Transformers

### Conservatively designed transformers in a wide variety of outputs

Originally designed for powering rectifying circuits, these Step Down Multi-Tapped transformers are suitable for use in myriad applications. The conservative designs are manufactured using tried and true construction techniques and have an established record of high reliability and efficiency.



### General Specifications

- Power - 10 VA to 2800 VA
- Dielectric Strength - 1500 Vrms Hipot
- Primaries - Single, tapped or dual primaries, 105 V, 115 V, 125 V, 230 V - 50/60 Hz
- Secondaries - Dual center tapped windings may be connected in series or parallel
- Insulation System - Class B insulation, 130° C

## Part Number Selection

Primary 50/60 Hz		Second RMS Rating		Mtg Style	Dimensions					Mtg Screw	Weight lbs (kg)
Single 115 V	Dual 115/230 V	Series	Parallel		L	W	H	ML	MW		
					Inches (mm)						
10-1	DL-10-1	10 VCT @ 1 A	5 VCT @ 2 A	C	2.87 (73.0)	1.75 (44.5)	2.31 (58.7)	2.37 (60.3)	-	#8	1.0 (.45)
10-2	DL-10-2	10 VCT @ 2 A	5 VCT @ 4 A	C	3.12 (79.4)	2.12 (53.9)	2.75 (69.9)	2.81 (71.4)	-	#8	1.5 (.68)
10-4	DL-10-4	10 VCT @ 4 A	5 VCT @ 8 A	C	3.56 (90.5)	2.37 (60.3)	3.06 (77.7)	3.12 (79.4)	-	#8	2.3 (1.04)
10-6	DL-10-6	10 VCT @ 6 A	5 VCT @ 12 A	B	3.37 (85.7)	2.75 (69.9)	2.81 (71.4)	2.81 (71.4)	2.12 (53.9)	#8	3.3 (1.50)
10-8	DL-10-8	10 VCT @ 8 A	5 VCT @ 16 A	B	3.37 (85.7)	3.12 (79.4)	2.81 (71.4)	2.81 (71.4)	2.50 (63.5)	#8	4.01 (1.81)
10-12	DL-10-12	10 VCT @ 12 A	5 VCT @ 24 A	B	3.75 (95.3)	3.25 (82.6)	3.12 (79.4)	3.12 (79.4)	2.50 (63.5)	#8	5.0 (2.27)
10-25	DL-10-25	10 VCT @ 25 A	5 VCT @ 50 A	B	4.50 (114.3)	3.75 (95.3)	3.75 (95.3)	3.75 (95.3)	2.75 (69.9)	#10	8.7 (3.95)
10-50*	DL-10-50	10 VCT @ 50 A	5 VCT @ 100 A	B	5.35 (133.4)	5.50 (139.7)	4.37 (111.1)	4.37 (111.1)	3.62 (92.1)	1/4	17.0 (7.71)
10-100*	DL-10-100	10 VCT @ 100 A	5 VCT @ 200 A	B	6.37 (162.0)	7.25 (184.2)	5.31 (134.9)	5.31 (134.9)	4.37 (111.1)	1/4	34.5 (15.65)
12.8-1	DL-12.8-1	12.8 VCT @ 1 A	6.4 VCT @ 2 A	C	2.87 (73.0)	2.00 (50.8)	2.31 (58.7)	2.31 (58.7)	-	#8	1.2 (.54)
12.8-2	DL-12.8-2	12.8 VCT @ 2 A	6.4 VCT @ 4 A	B	3.00 (76.2)	2.50 (63.5)	2.50 (63.5)	2.50 (63.5)	2.00 (50.8)	#8	2.3 (1.04)
12.8-4	DL-12.8-4	12.8 VCT @ 4 A	6.4 VCT @ 8 A	B	3.00 (76.2)	2.50 (63.5)	2.50 (63.5)	2.50 (63.5)	2.37 (60.3)	#8	2.8 (1.27)
12.8-6	DL-12.8-6	12.8 VCT @ 6 A	6.4 VCT @ 12 A	B	3.37 (85.7)	3.06 (77.7)	2.81 (71.4)	2.81 (71.4)	2.50 (63.5)	#8	4.0 (1.81)
12.8-8	DL-12.8-8	12.8 VCT @ 8 A	6.4 VCT @ 16 A	B	3.75 (95.3)	3.12 (79.4)	3.12 (79.4)	3.12 (79.4)	2.25 (57.2)	#8	4.5 (2.04)
12.8-12*	DL-12.8-12	12.8 VCT @ 12 A	6.4 VCT @ 24 A	B	4.12 (104.8)	3.25 (82.6)	3.43 (87.3)	3.43 (87.3)	2.37 (60.3)	#10	6.0 (2.72)
12.8-25*	DL-12.8-25	12.8 VCT @ 25 A	6.4 VCT @ 50 A	B	5.25 (133.4)	4.25 (108.0)	4.37 (111.1)	4.37 (111.1)	2.87 (73.0)	#10	12.5 (5.69)
12.8-50*	DL-12.8-50	12.8 VCT @ 50 A	6.4 VCT @ 100 A	B	5.25 (133.4)	6.00 (152.4)	4.37 (111.1)	4.37 (111.1)	4.12 (104.8)	1/4	20.7 (9.39)
12.8-100*	DL-12.8-100	12.8 VCT @ 100 A	6.4 VCT @ 200 A	B	6.37 (162.0)	7.25 (184.2)	5.31 (134.9)	5.31 (134.9)	4.37 (111.1)	1/4	34.5 (15.65)

\* Nominal 115V primary has added taps, i.e., 105/115/125 V; Dual (DL) version is 115/230 V only.

• Available with dual primary only. Therefore, prefix DL is not required.



Custom versions available upon request.



128 Atlantic Avenue, Lynbrook, NY 11563  
Toll Free 866-239-5777 | Tel 516-239-5777 | Fax 516-239-7208  
sales@signaltransformer.com | techhelp@signaltransformer.com

[belfuse.com/signal](http://belfuse.com/signal)

## Part Number Selection

Primary 50/60 Hz		Second RMS Rating		Mtg Style	Dimensions					Mtg Screw	Weight
Single 115 V	Dual 115/230 V	Series	Parallel		L	W	H	ML	MW		
Inches (mm)											
16-1	DL-16-1	16 VCT @ 1 A	8 VCT @ 2 A	C	2.87 (73.0)	2.00 (50.8)	2.31 (58.7)	2.37 (60.3)	-	#8	1.2 (.54)
16-2	DL-16-2	16 VCT @ 2 A	8 VCT @ 4 A	C	3.12 (79.4)	2.25 (57.2)	2.75 (69.9)	2.81 (71.4)	-	#8	1.7 (.77)
16-4	DL-16-4	16 VCT @ 4 A	8 VCT @ 8 A	B	3.37 (85.7)	2.75 (69.9)	2.81 (71.4)	2.81 (71.4)	2.12 (53.9)	#8	3.3 (1.50)
16-6	DL-16-6	16 VCT @ 6 A	8 VCT @ 12 A	B	3.75 (95.3)	3.12 (79.4)	3.12 (79.4)	3.12 (79.4)	2.25 (57.2)	#10	4.5 (2.04)
16-8	DL-16-8	16 VCT @ 8 A	8 VCT @ 16 A	B	3.75 (95.3)	3.50 (89.0)	3.12 (79.4)	3.12 (79.4)	2.62 (66.7)	#10	5.4 (2.45)
16-12	DL-16-12	16 VCT @ 12 A	8 VCT @ 24 A	B	4.12 (104.8)	3.87 (98.4)	3.43 (87.3)	3.43 (87.3)	3.00 (76.2)	#10	7.9 (3.58)
16-25	DL-16-25	16 VCT @ 25 A	8 VCT @ 50 A	B	4.50 (114.3)	5.37 (136.5)	3.75 (95.3)	3.75 (95.3)	4.00 (101.6)	#10	14.5 (6.58)
16-50*	DL-16-50	16 VCT @ 50 A	8 VCT @ 100 A	B	6.37 (162.0)	5.70 (146.1)	5.31 (134.9)	5.31 (134.9)	3.75 (95.3)	1/4	26.5 (12.02)
16-100*	DL-16-100	16 VCT @ 100 A	8 VCT @ 200 A	B	7.50 (190.5)	7.50 (190.5)	6.37 (162.0)	6.75 (171.5)	4.62 (117.5)	1/4	50.0 (22.68)
24-1	DL-24-1	24 VCT @ 1 A	12 VCT @ 2 A	B	3.00 (76.2)	2.50 (63.5)	2.50 (63.5)	2.50 (63.5)	2.00 (50.8)	#8	2.3 (1.04)
24-2	DL-24-2	24 VCT @ 2 A	12 VCT @ 4 A	B	3.00 (76.2)	2.87 (73.0)	2.50 (63.5)	2.50 (63.5)	2.37 (60.3)	#8	2.9 (1.32)
24-4	DL-24-4	24 VCT @ 4 A	12 VCT @ 8 A	B	3.75 (95.3)	3.12 (79.4)	3.12 (79.4)	3.12 (79.4)	2.25 (57.2)	#8	4.5 (2.04)
24-6	DL-24-6	24 VCT @ 6 A	12 VCT @ 12 A	B	4.12 (104.8)	3.25 (82.6)	3.43 (87.3)	3.43 (87.3)	2.37 (60.3)	#10	5.8 (2.63)
24-8	DL-24-8	24 VCT @ 8 A	12 VCT @ 16 A	B	4.12 (104.8)	3.87 (98.4)	3.43 (87.3)	3.43 (87.3)	3.00 (76.2)	#10	7.9 (3.58)
24-12*	DL-24-12	24 VCT @ 12 A	12 VCT @ 24 A	B	4.50 (114.3)	4.50 (114.3)	3.75 (95.3)	3.75 (95.3)	3.37 (85.7)	#10	11.0 (4.99)
24-20*	DL-24-20	24 VCT @ 20 A	12 VCT @ 40 A	B	5.25 (133.4)	4.75 (120.7)	4.37 (111.1)	4.37 (111.1)	3.37 (85.7)	1/4	15.3 (6.95)
24-25*	DL-24-25	24 VCT @ 25 A	12 VCT @ 50 A	B	5.25 (133.4)	5.62 (142.9)	4.37 (111.1)	4.37 (111.1)	4.12 (104.8)	1/4	19.5 (8.85)
24-50*	DL-24-50	24 VCT @ 50 A	12 VCT @ 100 A	B	6.37 (162.0)	6.25 (158.8)	5.31 (134.9)	5.31 (134.9)	4.37 (111.1)	1/4	31.3 (14.20)
—	24-100 •	24 VCT @ 100 A	12 VCT @ 200 A	B	7.50 (190.5)	7.00 (177.8)	6.37 (162.0)	6.75 (171.45)	4.12 (104.8)	1/4	43.0 (19.5)

\* Nominal 115V primary has added taps, i.e., 105/115/125 V; Dual (DL) version is 115/230 V only.

• Available with dual primary only. Therefore, prefix DL is not required.



**Custom versions available upon request.**



128 Atlantic Avenue, Lynbrook, NY 11563  
 Toll Free 866-239-5777 | Tel 516-239-5777 | Fax 516-239-7208  
 sales@signaltransformer.com | techhelp@signaltransformer.com

[belfuse.com/signal](http://belfuse.com/signal)

## Part Number Selection

Primary 50/60 Hz		Second RMS Rating		Mtg Style	Dimensions					Mtg Screw	Weight lbs (kg)
Single 115 V	Dual 115/230 V	Series	Parallel		L	W	H	ML	MW		
					Inches (mm)						
36-1	DL-36-1	36 VCT @ 1 A	18 VCT @ 2 A	B	3.00 (76.2)	2.75 (69.9)	2.50 (63.5)	2.50 (63.5)	2.25 (57.2)	#8	2.6 (1.18)
36-2	DL-36-2	36 VCT @ 2 A	18 VCT @ 4 A	B	3.37 (85.7)	2.93 (74.6)	2.81 (71.4)	2.81 (71.4)	2.37 (60.3)	#8	3.8 (1.72)
36-4	DL-36-4	36 VCT @ 4 A	18 VCT @ 8 A	B	4.12 (104.8)	3.37 (85.7)	3.43 (87.3)	3.43 (87.3)	2.62 (66.7)	#10	6.8 (3.08)
36-6	DL-36-6	36 VCT @ 6 A	18 VCT @ 12 A	B	4.50 (114.3)	3.75 (95.3)	3.75 (95.3)	3.75 (95.3)	2.75 (69.9)	#10	8.7 (3.95)
36-8*	DL-36-8	36 VCT @ 8 A	18 VCT @ 16 A	B	4.50 (114.3)	4.50 (114.3)	3.75 (95.3)	3.75 (95.3)	3.37 (85.7)	#10	11.0 (4.99)
36-12*	DL-36-12	36 VCT @ 12 A	18 VCT @ 24 A	B	5.25 (133.4)	5.00 (127.0)	4.37 (111.1)	4.37 (111.1)	3.37 (85.7)	1/4	15.0 (6.80)
36-20*	DL-36-20	36 VCT @ 20 A	18 VCT @ 40 A	B	6.37 (162.0)	5.37 (136.5)	5.31 (134.9)	5.31 (134.9)	3.37 (85.7)	1/4	22.8 (10.34)
36-25*	DL-36-25	36 VCT @ 25 A	18 VCT @ 50 A	B	6.37 (162.0)	5.75 (146.1)	5.31 (134.9)	5.31 (134.9)	3.75 (95.3)	1/4	26.5 (12.02)
36-30*	DL-36-30	36 VCT @ 30 A	18 VCT @ 60 A	B	6.37 (162.0)	6.00 (152.4)	5.31 (134.9)	5.31 (134.9)	4.37 (111.1)	1/4	31.5 (14.28)
—	36-50 •	36 VCT @ 50 A	18 VCT @ 100 A	B	6.37 (162.0)	7.25 (184.2)	5.31 (134.9)	5.31 (134.9)	5.12 (130.2)	1/4	40.0 (18.14)
56-1	DL-56-1	56 VCT @ 1 A	28 VCT @ 2 A	B	3.37 (85.7)	2.87 (73.0)	2.81 (71.4)	2.81 (71.4)	2.25 (57.2)	#8	3.5 (1.59)
56-2	DL-56-2	56 VCT @ 2 A	28 VCT @ 4 A	B	3.75 (95.3)	3.25 (82.6)	3.12 (79.4)	3.12 (79.4)	2.50 (63.5)	#8	5.0 (2.27)
56-4	DL-56-4	56 VCT @ 4 A	28 VCT @ 8 A	B	4.12 (104.8)	3.75 (95.3)	3.43 (87.3)	3.43 (87.3)	3.00 (76.2)	#10	7.7 (3.49)
56-6	DL-56-6	56 VCT @ 6 A	28 VCT @ 12 A	B	5.25 (133.4)	4.25 (108.0)	4.37 (111.1)	4.37 (111.1)	2.87 (73.0)	#10	12.0 (5.44)
56-8*	DL-56-8	56 VCT @ 8 A	28 VCT @ 16 A	B	5.25 (133.4)	5.00 (127.0)	4.37 (111.1)	4.37 (111.1)	3.62 (92.1)	1/4	17.0 (7.71)
56-12*	DL-56-12	56 VCT @ 12 A	28 VCT @ 24 A	B	6.37 (162.0)	5.25 (133.4)	5.31 (134.9)	5.31 (134.9)	3.37 (85.7)	1/4	22.0 (9.98)
56-25*	DL-56-25	56 VCT @ 25 A	28 VCT @ 50 A	B	6.37 (162.0)	7.12 (181.0)	5.31 (134.9)	5.31 (134.9)	5.12 (130.2)	1/4	38.0 (17.24)
—	56-50 •	56 VCT @ 50 A	28 VCT @ 100 A	B	7.50 (190.5)	7.50 (190.5)	6.24 (158.8)	6.75 (171.5)	4.87 (123.8)	1/4	56.3 (25.54)

\* Nominal 115V primary has added taps, i.e., 105/115/125 V; Dual (DL) version is 115/230 V only.

• Available with dual primary only. Therefore, prefix DL is not required.



**Custom versions available upon request.**



128 Atlantic Avenue, Lynbrook, NY 11563  
 Toll Free 866-239-5777 | Tel 516-239-5777 | Fax 516-239-7208  
 sales@signaltransformer.com | techhelp@signaltransformer.com

[belfuse.com/signal](http://belfuse.com/signal)

## Part Number Selection

Primary 50/60 Hz		Second RMS Rating		Mtg Style	Dimensions					Mtg Screw	Weight lbs (kg)
Single 115 V	Dual 115/230 V	Series	Parallel		L	W	H	ML	MW		
Inches (mm)											
68-1	DL-68-1	68 VCT @ 1 A	34 VCT @ 2 A	B	3.37 (85.7)	2.93 (74.6)	2.81 (71.4)	2.81 (71.4)	2.37 (60.3)	#8	3.8 (1.72)
68-2	DL-68-2	68VCT @ 2 A	34 VCT @ 4 A	B	4.12 (104.8)	3.37 (85.7)	3.43 (87.3)	3.43 (87.3)	2.62 (66.7)	#10	6.8 (3.08)
68-4	DL-68-4	68 VCT @ 4 A	34 VCT @ 8 A	B	4.50 (114.3)	4.50 (114.3)	3.75 (95.3)	3.75 (95.3)	3.37 (85.7)	#10	11.5 (5.22)
68-6*	DL-68-6	68 VCT @ 6 A	34 VCT @ 12 A	B	5.25 (133.4)	5.00 (127.0)	4.37 (111.1)	4.37 (111.1)	3.37 (85.7)	1/4	15.0 (6.80)
68-8*	DL-68-8	68 VCT @ 8 A	34 VCT @ 16 A	B	5.25 (133.4)	5.50 (139.7)	4.37 (111.1)	4.37 (111.1)	3.87 (98.4)	1/4	19.0 (8.62)
68-12*	DL-68-12	68 VCT @ 12 A	34 VCT @ 24 A	B	6.37 (162.0)	5.75 (146.1)	5.31 (134.9)	5.31 (134.9)	3.75 (95.3)	1/4	26.5 (12.02)
—	68-25 •	68 VCT @ 25 A	34 VCT @ 50 A	B	6.37 (162.0)	7.25 (184.2)	5.31 (134.9)	5.31 (134.9)	5.12 (130.2)	1/4	39.7 (18.01)
80-1	DL-80-1	80 VCT @ 1 A	40 VCT @ 2 A	B	3.37 (85.7)	3.06 (77.7)	2.81 (71.4)	2.81 (71.4)	2.50 (63.5)	#8	4.0 (1.81)
80-2	DL-80-2	80 VCT @ 2 A	40 VCT @ 4 A	B	4.12 (104.8)	3.37 (85.7)	3.43 (87.3)	3.43 (87.3)	2.62 (66.7)	#10	6.8 (3.08)
80-4	DL-80-4	80 VCT @ 4 A	40 VCT @ 8 A	B	5.25 (133.4)	4.25 (108.0)	4.37 (111.1)	4.37 (111.1)	2.87 (73.0)	1/4	12.3 (5.58)
80-6*	DL-80-6	80 VCT @ 6 A	40 VCT @ 12 A	B	5.25 (133.4)	5.50 (139.7)	4.37 (111.1)	4.37 (111.1)	3.87 (98.4)	1/4	19.0 (8.62)
80-8*	DL-80-8	80 VCT @ 8 A	40 VCT @ 16 A	B	6.37 (162.0)	5.25 (133.4)	5.31 (134.9)	5.31 (134.9)	3.25 (82.6)	1/4	20.5 (9.30)
80-12*	DL-80-12	80 VCT @ 12 A	40 VCT @ 24 A	B	6.37 (162.0)	6.00 (152.4)	5.31 (134.9)	5.31 (134.9)	4.12 (104.8)	1/4	29.0 (13.15)
—	80-25 •	80 VCT @ 25 A	40 VCT @ 50 A	B	7.50 (190.5)	6.50 (165.1)	6.25 (158.8)	6.75 (171.5)	3.87 (98.4)	1/4	40.3 (18.28)

\* Nominal 115V primary has added taps, i.e., 105/115/125 V; Dual (DL) version is 115/230 V only.

• Available with dual primary only. Therefore, prefix DL is not required.



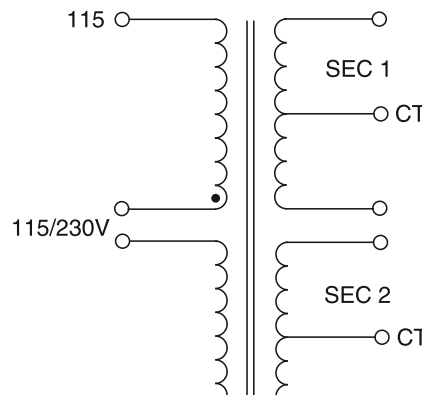
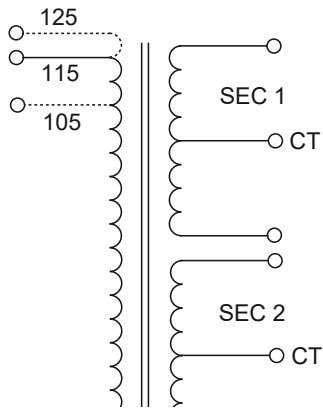
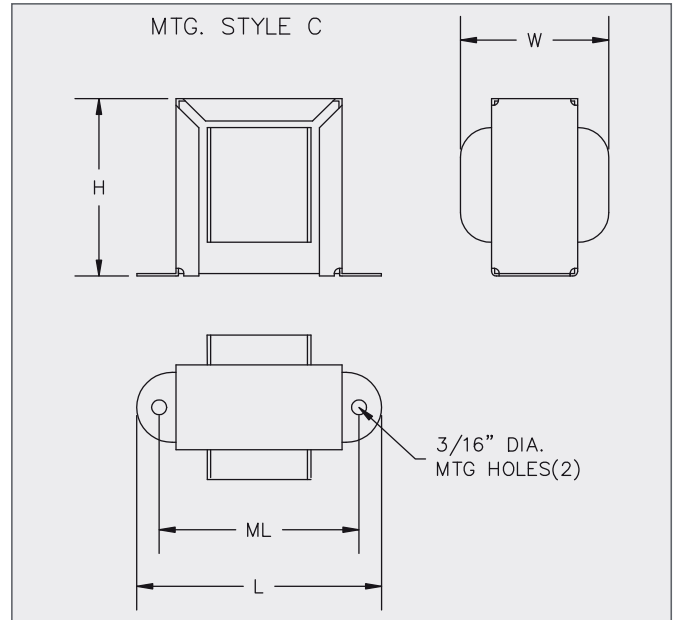
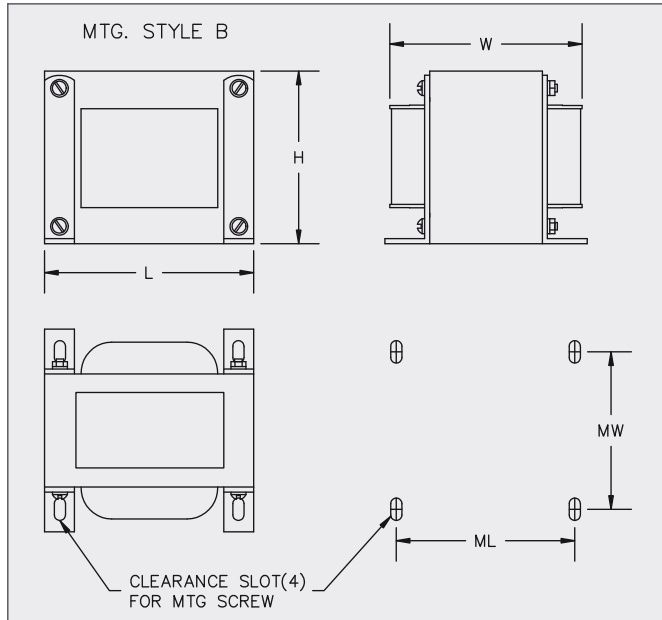
**Custom versions available upon request.**



128 Atlantic Avenue, Lynbrook, NY 11563  
 Toll Free 866-239-5777 | Tel 516-239-5777 | Fax 516-239-7208  
 sales@signaltransformer.com | techhelp@signaltransformer.com

[belfuse.com/signal](http://belfuse.com/signal)

## Mechanical Specifications



Custom versions available upon request.



128 Atlantic Avenue, Lynbrook, NY 11563  
Toll Free 866-239-5777 | Tel 516-239-5777 | Fax 516-239-7208  
sales@signaltransformer.com | techhelp@signaltransformer.com

[belfuse.com/signal](http://belfuse.com/signal)