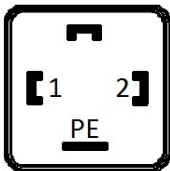
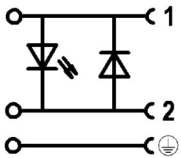
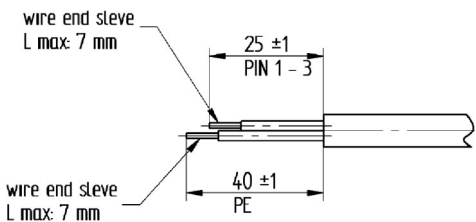


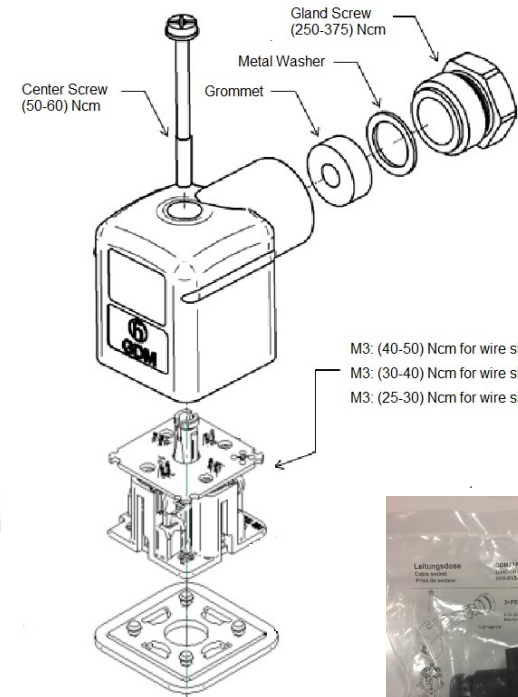
Materials	
Housing	PA 6 GF / Transparent
Contact Bearer, Gland Screw, Cage	PA 6 GF / Black
Contact / Contact Plating	CuZn / Cu/Sn
Center Screw / Screw Size	Fe/Zn B / M 3x35
Gasket (temperature range)	NBR (-25° to +90° C)

Technical Data	
Standard	DIN EN 175301.803-A
No. of Contacts / Terminal Type	2 + PE / Screw
Rated Current	8 A
Rated Voltage (DC)	24 V, DC
Protective Circuit / LED	Recovery Diode / LED, Yellow
Conductor Size Range	0.25 mm ² (20 AWG) to... 1.5 mm ² (14 AWG)
Type of Connection	Screw Terminal
Approvals	VDE
Gland Outer Thread / Clamp Range	PG 11/ ϕ 4.5 mm to ϕ 11.0 mm
Packaging Type / Qty per Carton	Carton / 10 pieces bagged

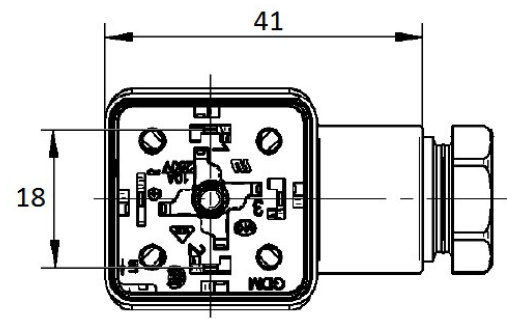
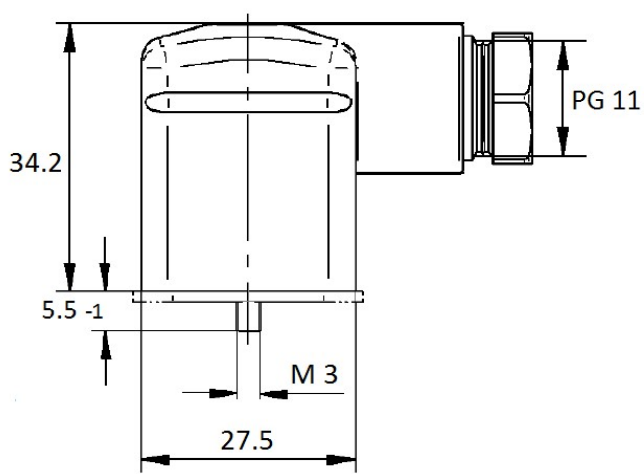
Environmental Conditions	
Temperature Range	-25° to +90° C
Protection Class	IP65

Connector Face View	Circuitry Layout
	

Recommended Wire Stripping	
 <p>wire end sleeve L max: 7 mm</p> <p>25 ±1 PIN 1 - 3</p> <p>wire end sleeve L max: 7 mm</p> <p>40 ±1 PE</p>	



M3: (40-50) Ncm for wire size 0.5mm² to 1.5mm²
 M3: (30-40) Ncm for wire size 0.34mm²
 M3: (25-30) Ncm for wire size 0.25mm²



Rev	A	RBS - 11/21/17	Notes
Order Code	20846	Description	GDM21FB-D24-1KK