

MSD INC.

ENGINEERING DATA SHEET

RELAY TYPE: FCB-205-0208M COMPUTER PART No 9347563

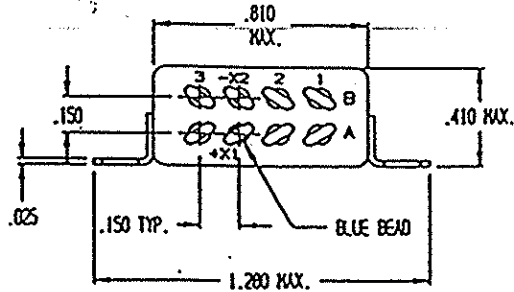
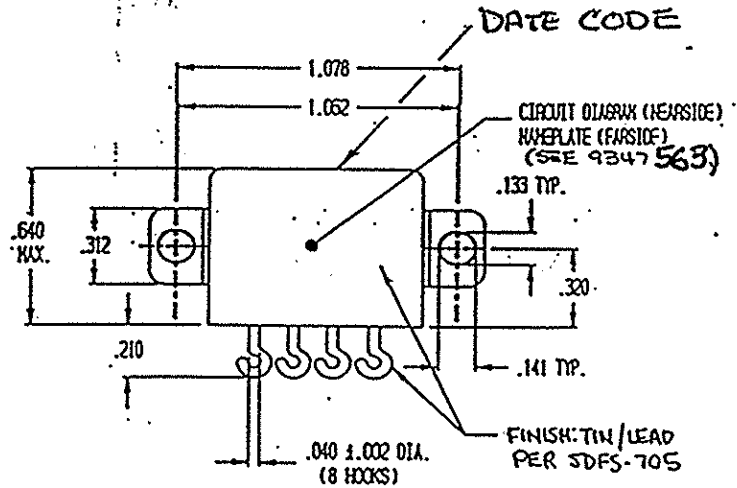
TEST PROCEDURE

CUSTOMER SPECIFICATION: M83536/2-008M REV: N/A

MSDP-790

TEST REQUIREMENTS

COIL RES: ±10% 20 OHMS OPERATE TIME: 5ms MAX RELEASE TIME: 5ms MAX
 CONTACT MAKE BOUNCE: 1ms MAX NO. BREAK BOUNCE: 0.1ms MAX
 CONTACT STABILIZATION TIME: 2.5ms MAX RATED COIL VOLTAGE: 6 Vdc
 CONTACT RES.: MFG TEST: .040 OHMS @ 10mA - 6Vdc FINAL TEST: .050 OHMS @ 10mA - 6Vdc
 CONTACT VOLTAGE DROP: FINAL TEST: .100 V MAX @ 5A - 6Vdc
 HI-POT: 1000 Vrms ALL POINTS
 INSULATION RESISTANCE: 100 MEGOHMS MIN. @ 500 Vdc
 VIBRATION: MIL-STD-202, METHOD 204 (30 G'S / 100 - 3000 HZ)
 SEAL TEST: 1 X 10⁻⁸ MAX LEAK RATE COIL TRANSIENT SUPPRESSION: 42 Vdc MAX
 OTHER:



Prepared By: Date		Approved By: Date	
LFS WYNNE 3-20-96		<i>L. Koch</i> 12-21-96	
Rev	ECN No.	Date	
C	97-248	12-29-97	

SPECIAL INSTRUCTIONS