

## DETAILS

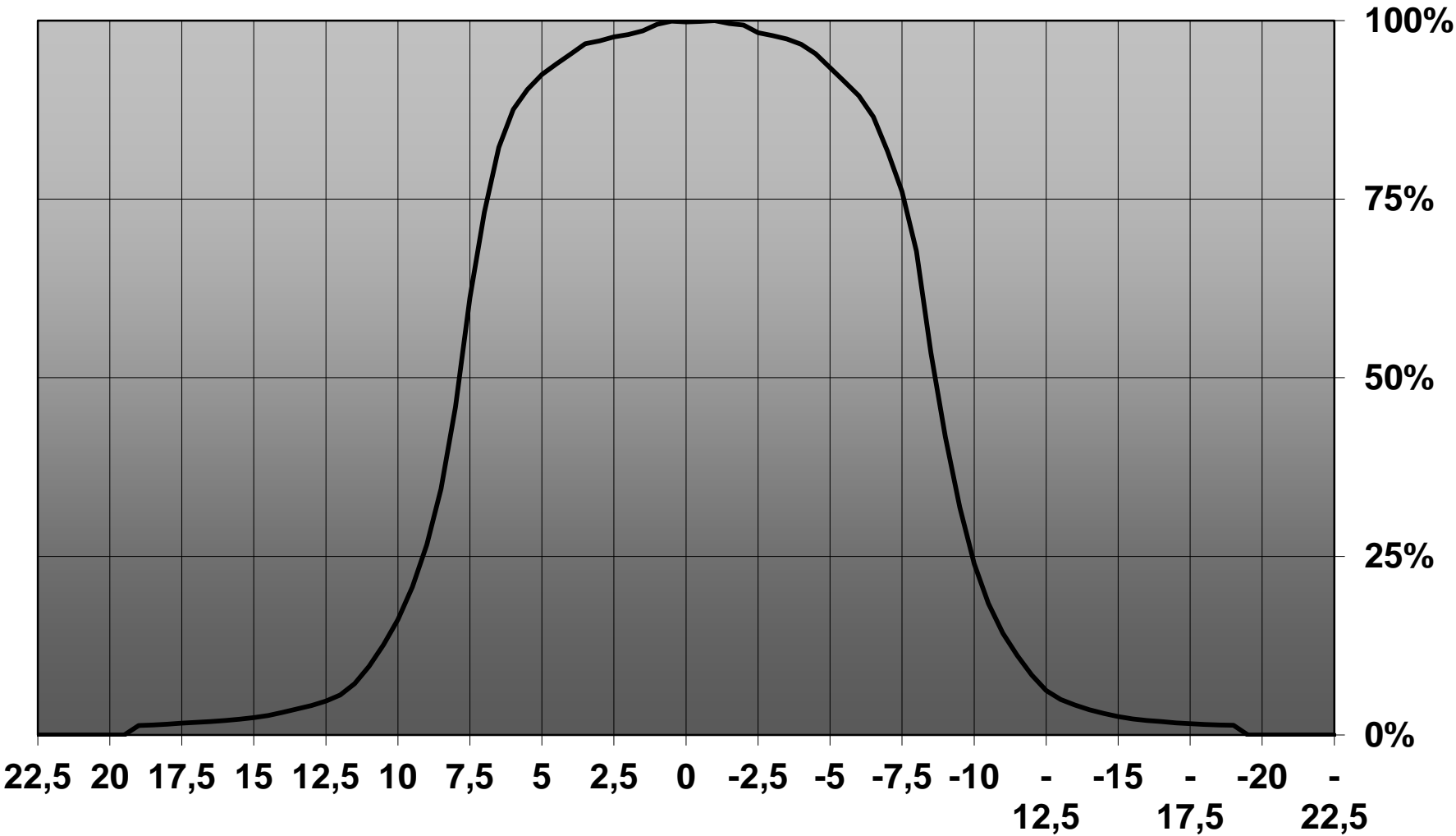
<b>Product Number</b>	FA11905_TINA3-S
<b>Family</b>	Tina3
<b>Type</b>	Assembly
<b>Color</b>	white
<b>Diameter</b>	16,1 mm
<b>Height</b>	11,4 mm
<b>Style</b>	round
<b>Optic Material</b>	PMMA
<b>Holder Material</b>	PC
<b>Fastening</b>	pin, tape
<b>Status</b>	ready
<b>ROHS Compliant</b>	Yes
<b>Date Updated</b>	23/12/2013



## OPTICAL PROPERTIES

LED	Viewing Angle	Light Beam	Efficiency	cd/lm	Connector
Z5	sim: 6	Spot	-	-	-
Oslon SSL 150	9 deg	Spot	84 %	18.400	-
XP-E	10 deg	Spot	86 %	15.800	-
Oslon SSL 80	11 deg	Spot	86 %	14.000	-
LUXEON Rebel	11 deg	Spot	83 %	12.900	-
XP-G	15 deg	Spot	86 %	6.700	-
XP-L HI	15 deg	Spot	88 %	8.900	-
LUXEON A	16 deg	Spot	83 %	6.700	-
NVSxx19A	16.5 deg	Spot	87 %	6.800	-
LUXEON Rebel ES	18.5 deg	Spot	82 %	6.900	-
XM-L	23 deg	Spot	86 %	3.440	-
XP-L	23 deg	Spot	87 %	3.840	-

Relative intensity of FA11905\_TINA3-S-LuxA



D

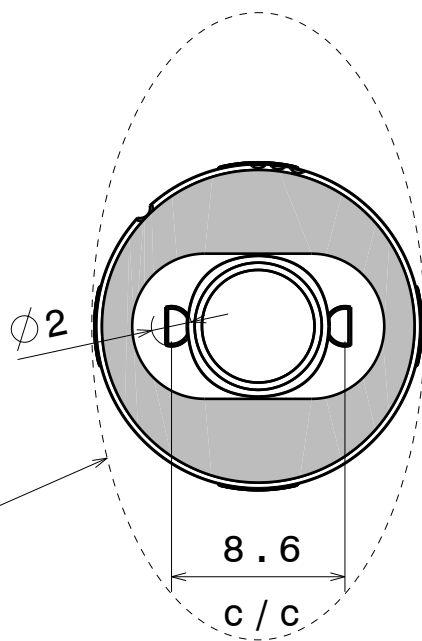
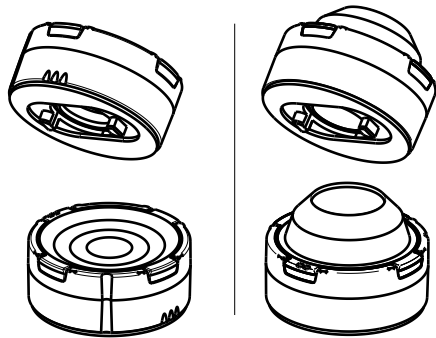
C

B

A

4

4



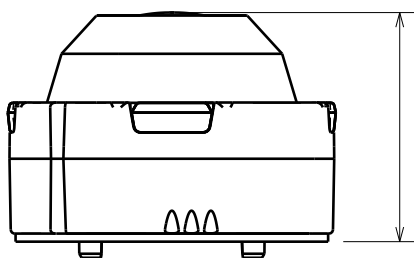
Oval beam direction

8.6

c / c

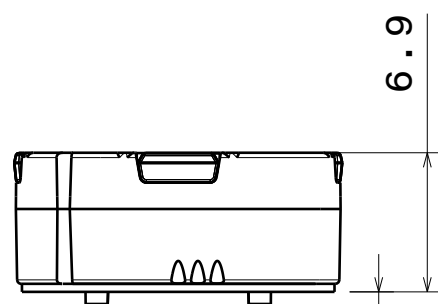
3

3



11.4

Spot version height

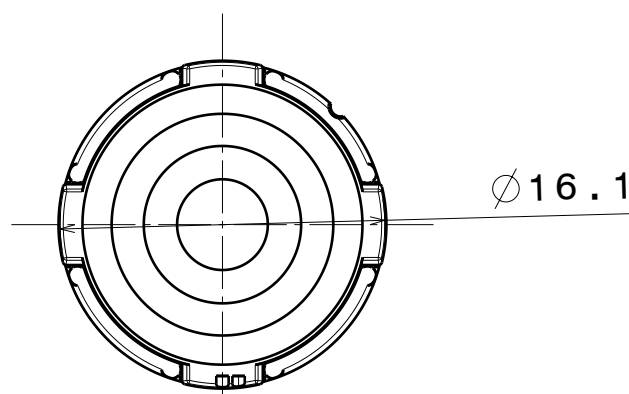


6.9

0.8

2

2



16.1

Top view

Tolerances if not otherwise shown  
 According to DIN ISO 2768-1  
 Linear measures:  
 Up to 30mm class M, otherwise class C.  
 According to DIN ISO 2768-2  
 Form and position: class L

**LEDiL** LediL Oy  
 Salorankatu 10  
 FIN 24240 SALO  
 Finland

THIRD ANGLE PROJECTION:

DRAWING TITLE  
**TINA3 Datasheet**

This drawing is the property of LEDiL Oy. It may not be reproduced, copied or communicated without a written agreement with LEDiL Oy."

SIZE PART NUMBER  
**A4 -**

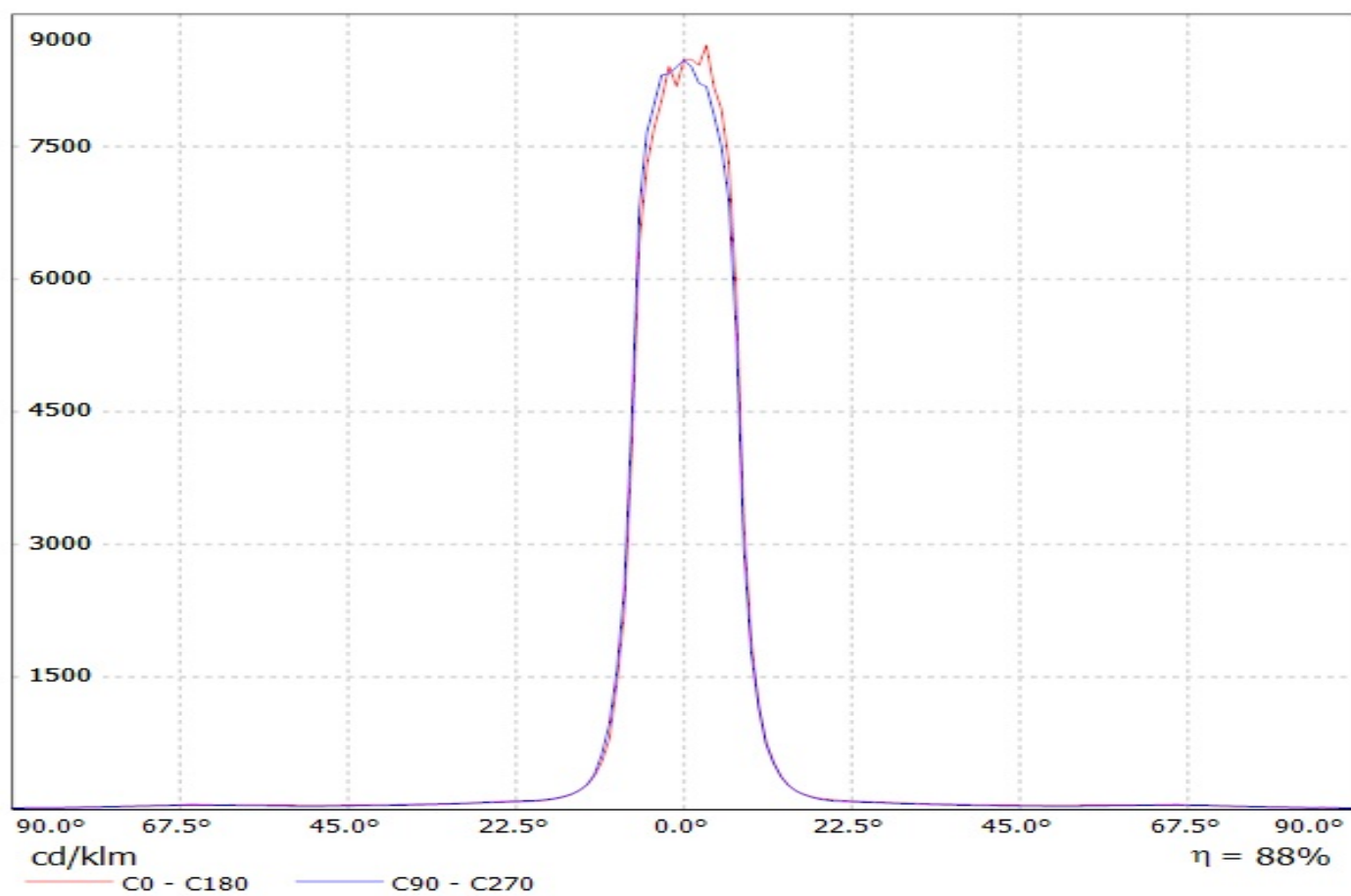
SCALE 4:3 WEIGHT - SHEET 1/1

D

A

1

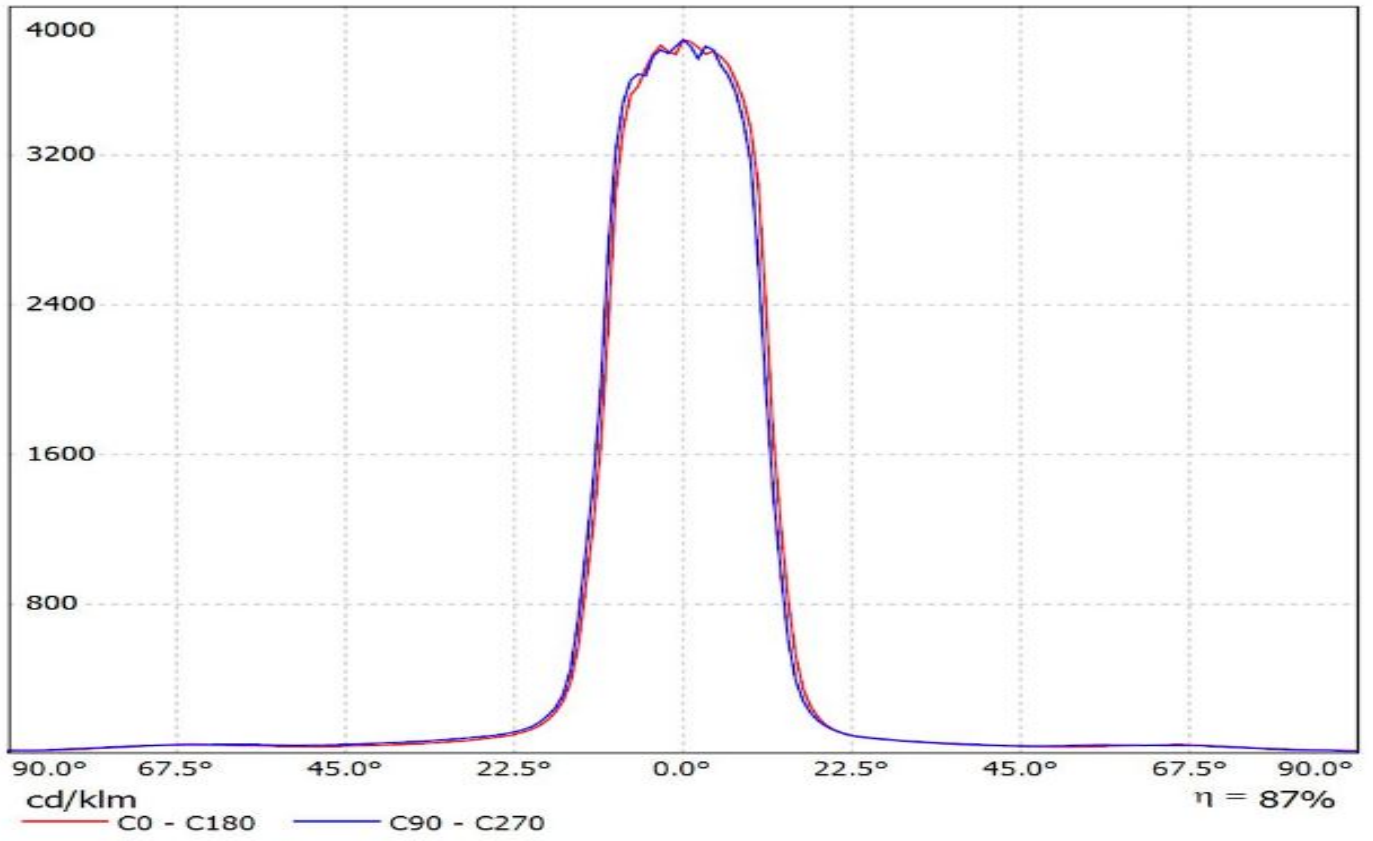
Luminaire: LEDiL Oy FA11905\_TINA3-S\_(XP-L\_HI)  
Lamps: 1 x Cree\_XP-L\_HI\_114.406lm@250mA\_P=0.745352W\_I=0.2499A



# Ledil FA11905\_TINA3-S\_(XP-L) / LDC (Linear)

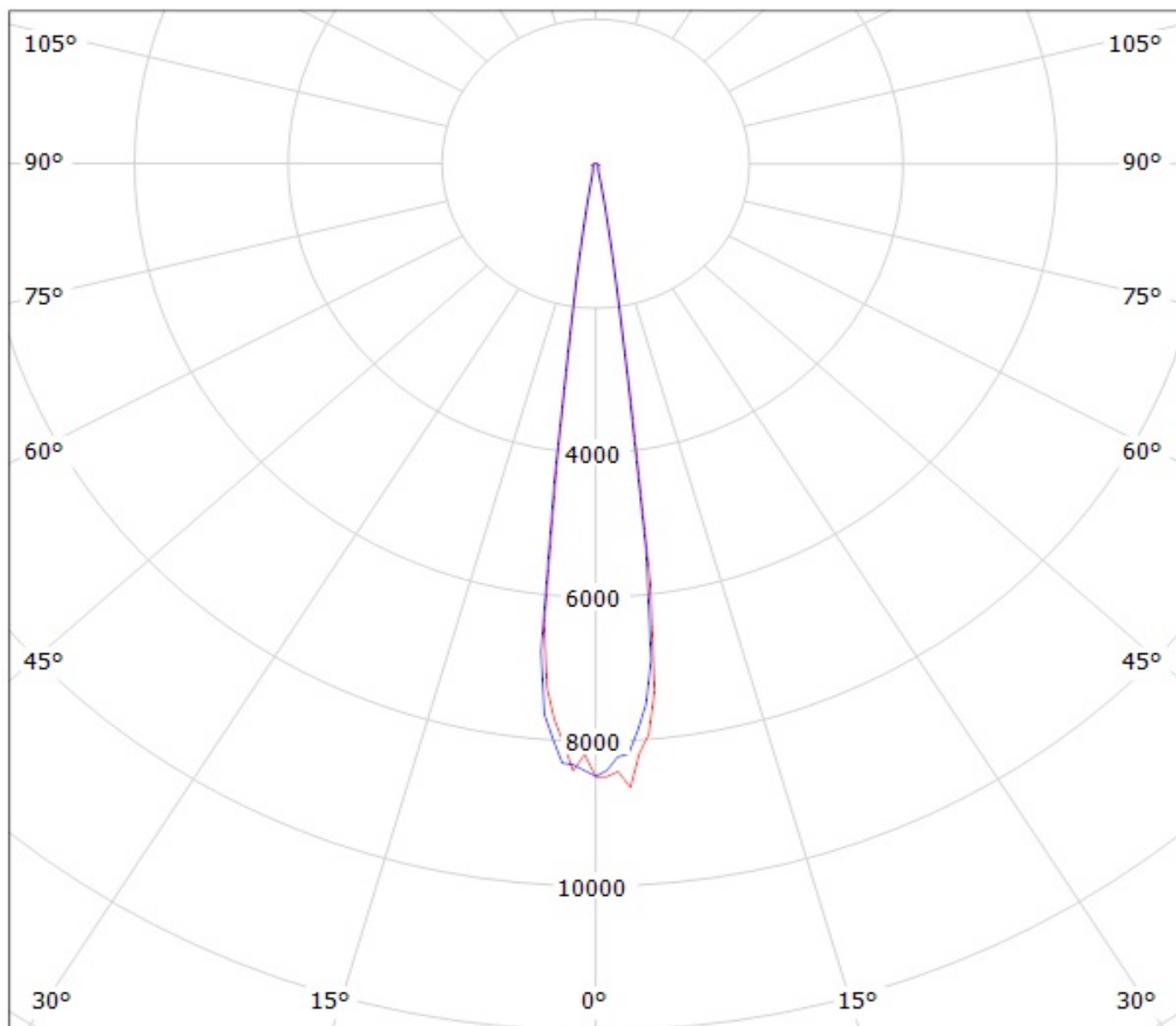
Luminaire: Ledil FA11905\_TINA3-S\_(XP-L)

Lamps: 1 x Cree\_XP-L\_128.072lm@250mA\_P=0.74W\_I=0.25A



Luminaire: LEDiL Oy FA11905\_TINA3-S\_(XP-L\_HI)

Lamps: 1 x Cree\_XP-L\_HI\_114.406lm@250mA\_P=0.745352W\_I=0.2499A



cd/klm

$\eta = 88\%$

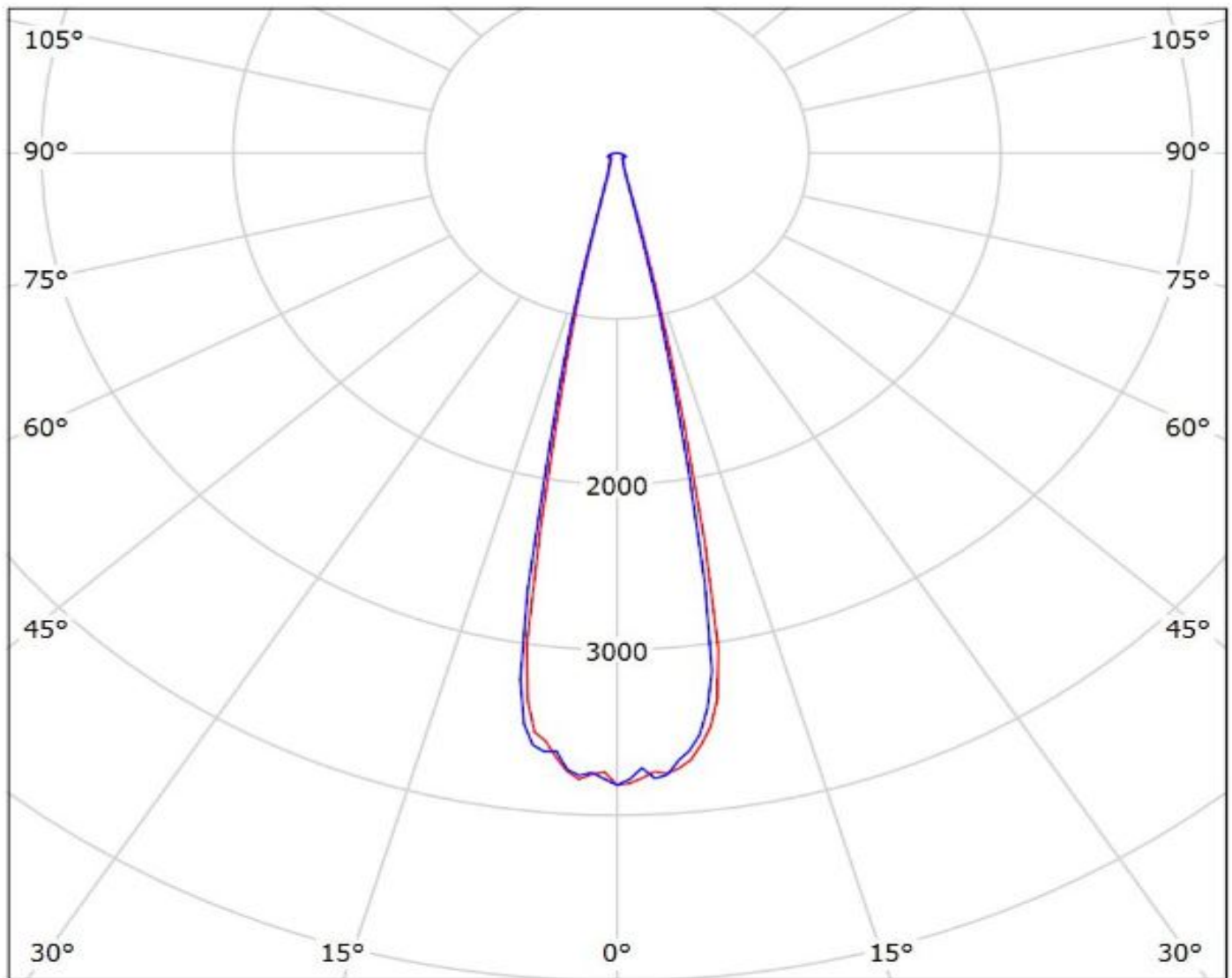
— C0 - C180

— C90 - C270

# Ledil FA11905\_TINA3-S\_(XP-L) / LDC (Polar)

Luminaire: Ledil FA11905\_TINA3-S\_(XP-L)

Lamps: 1 x Cree\_XP-L\_128.072lm@250mA\_P=0.74W\_I=0.25A



cd/klm

— C0 - C180 — C90 - C270

$\eta = 87\%$

**NOTE: The typical divergence will be changed by different color, chip size and chip position tolerance. The typical total divergence is the full angle measured where the luminous intensity is half of the peak value.**