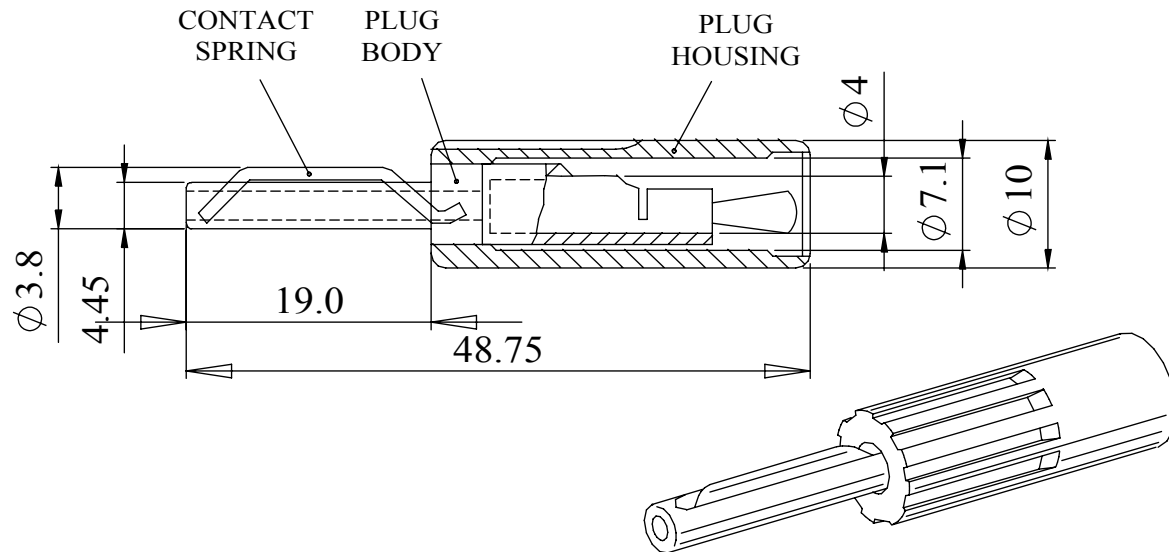


A standard in-line 4mm banana plug with a stainless steel contact spring.
 The large rear diameter of this plug will accept cables with a conductor of up 5,5mm (10 awg). The lead wire is held by soldering in a large solder bucket,

The product is also supplied with a large diameter insulating cover that accepts cables with a maximum outside diameter of 7,1mm.
 Gold spec - GOLD 0.5 MICRONS (BS EN ISO27874:2008) Cu/Cu/Au0.5

Material	
Contact spring	Stainless steel, BS302
Plug body	Brass TR1 CZ 131
Plug housing	Acetal, C 27021 R
Body plating	Gold plate - BS EN ISO278474:2008 Cu/Cu/Au0.5
Rating	16 Amps
Voltage	50 Volts MAX

Dimensions



Part No.	Colour & Plug Plating	
580-0100	BLACK	(Gold Plated)
580-0200	BLUE	(Gold Plated)
580-0300	BROWN	(Gold Plated)
580-0400	GREEN	(Gold Plated)
580-0500	RED	(Gold Plated)
580-0600	WHITE	(Gold Plated)
580-0700	YELLOW	(Gold Plated)

Tel No. +44(0)1724 273200 Website www.dem-uk.com



PROPRIETARY AND CONFIDENTIAL
 THE INFORMATION CONTAINED IN THIS DRAWING IS THE SOLE PROPERTY OF ALPHA 3 MANUFACTURING.
 ANY REPRODUCTION IN PART OR AS A WHOLE WITHOUT THE WRITTEN PERMISSION OF ALPHA 3 MANUFACTURING IS PROHIBITED.

DEM
 DEM Manufacturing, Deltron Emcon House
 Hargreaves Way, Sawcliffe Ind. Park,
 Scunthorpe, North Lincolnshire, DN15 8RF, UK

UNLESS OTHERWISE SPECIFIED:
 DIMENSIONS ARE IN MILLIMETRES
 LINEAR TOLERANCE:
NO DECIMAL PLACES ±0.5mm
1 DECIMAL PLACE ±0.25mm
2 DECIMAL PLACES ±0.125mm
 ANGULAR TOLERANCE: ±1°

FINISH STANDARD 4MM PLUG SPB
 DEBURR AND BREAK SHARP EDGES
 IF IN DOUBT ASK DO NOT SCALE DRAWING
 MATERIAL -

DRAWN BY WC
 APPROVED BY SEE NOTE
 THIRD ANGLE PROJECTION
 SHEET 1 OF 1
 SCALE 1:1
 A4

TITLE GENERAL SPECIFICATION 580 SERIES PLUG
 DRAWING NO. 580 SERIES
 ISSUE **02**
 Release