

## **AN-2196 LM3435 Evaluation Board**

---

---

---

### **1 Introduction**

The Texas Instruments LM3435 Evaluation Board has been designed for evaluating the performance of the device in a typical pico projector application. The end user can interface his own system to the evaluation board to test out the performance of the system. With LM3435, the system requires only single DC-DC converter to drive three color LEDs instead of using three DC-DC converters with conventional design. The suggested approach not only saves components cost, but also releases invaluable PCB space to the system and enhances system reliability. Assuming the handy projector is powered by a single lithium battery cell or a 5Vdc wall mount adaptor, the key specifications of the evaluation board are:

Supply voltage range,  $V_{IN} = 2.7V$  to  $5.5V$

Preset LED current per channel,  $I_{LED} = 1.5A$

Minimum LED current per channel,  $I_{LED(MIN)} = 600mA$

Maximum LED forward voltage drop,  $V_{LED} = 3.5V @ 1.5A$

Flyback converter switching frequency,  $F_{SW} = \sim 500kHz$

### **2 Evaluation Board Schematic Diagram**

The complete schematic diagram of the evaluation board is shown in [Figure 1](#). For the details of the design, please see *LM3435 Compact Sequential Mode RGB LED Driver with I2C Control Interface (SNVS724)*.

### **3 Connecting the Evaluation Board to the System**

The LM3435 Evaluation Board is optimized to run with input voltages ranging from 2.7V to 5.5V and requires a supply current not less than 4.1A for full range operation. A connection diagram to show the configuration between the system and the evaluation board is shown in [Figure 2](#). Proper connections to the I/Os must be confirmed before powering up the board. In order to avoid false triggering of the OPEN/SHORT fault detect of the device, the control pins GCTRL, BCTRL, and RCTRL must be kept in logic "LOW" during power-up.

### **4 Interfacing with the I<sup>2</sup>C Bus**

The current setting resistors only determine the nominal maximum LED current and the actual LED current can be further adjusted on-the-fly by the internal ten bits register for individual channel. The content of these registers are user programmable via standard I<sup>2</sup>C bus. The connection between the system MCU and the I<sup>2</sup>C bus is illustrated in [Figure 2](#). The resolution is 1 out of 1024 part of the LED current setting. The user can program the registers in the range from full output, that is, 1023 (3FFH) to minimum LED current that is restricted by the inductor ripple current amplitude. For Projected On-Time (POT) scheme used in LM3435, a minimum inductor ripple current of  $300mA_{PK-PK}$  is required to maintain proper operation. For the details of the registers addresses and definitions, please see *LM3435 Compact Sequential Mode RGB LED Driver with I2C Control Interface (SNVS724)*.

## 5 Interfacing with the GPIO Bus

The PWM control pins GCTRL, BCTRL, and RCTRL are internally pulled low, push-pull I/O ports are recommended to interface properly with the system MCU. The device enable, EN pin is internally pulled high, so an open drain I/O port is recommended.

## 6 Changing the Preset LED Current

The factory preset LED current of the LM3435 evaluation board is 1.5A, In case the user need to make a change of the preset LED current, it can be done by simply replacing the LED current setting resistors R1, R2 and R3. The  $I_{LED(MIN)}$  condition should not be violated for proper regulation, that is, the  $I_{LED}$  current for all operation conditions must be no less than 600mA with this evaluation board. Some popular values for user's reference are listed in below. For details about the operation and calculations of the components, please see *LM3435 Compact Sequential Mode RGB LED Driver with I2C Control Interface* ([SNVS724](#)).

Preset LED Current, $I_{LED}$	R1, R2, R3 Value
1.5A	16.5k $\Omega$
1.0A	24.75k $\Omega$
0.75A	33.0k $\Omega$

## 7 Evaluation Board Schematic

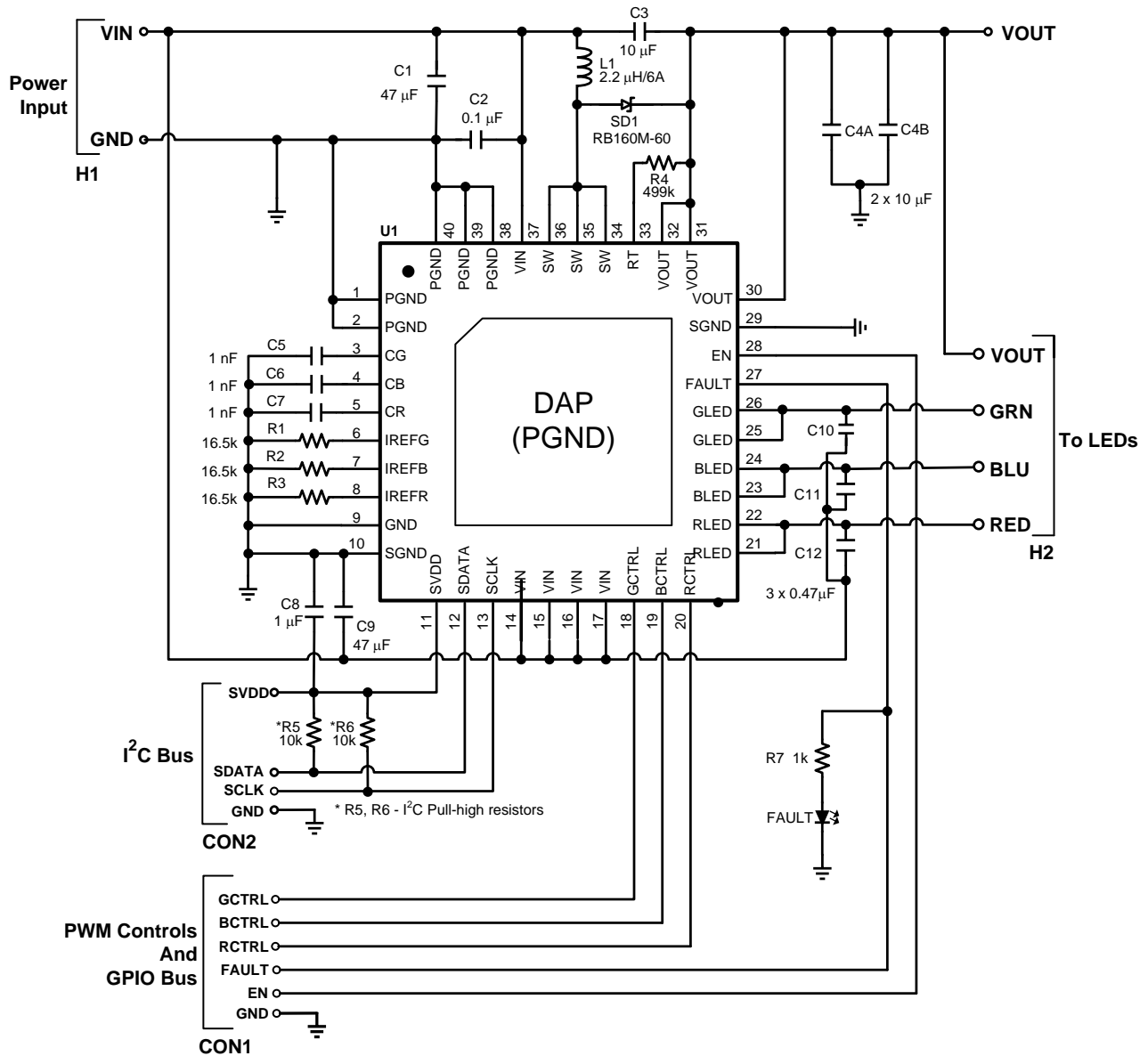


Figure 1. Evaluation Board Schematic Diagram

8 Connection Diagrams

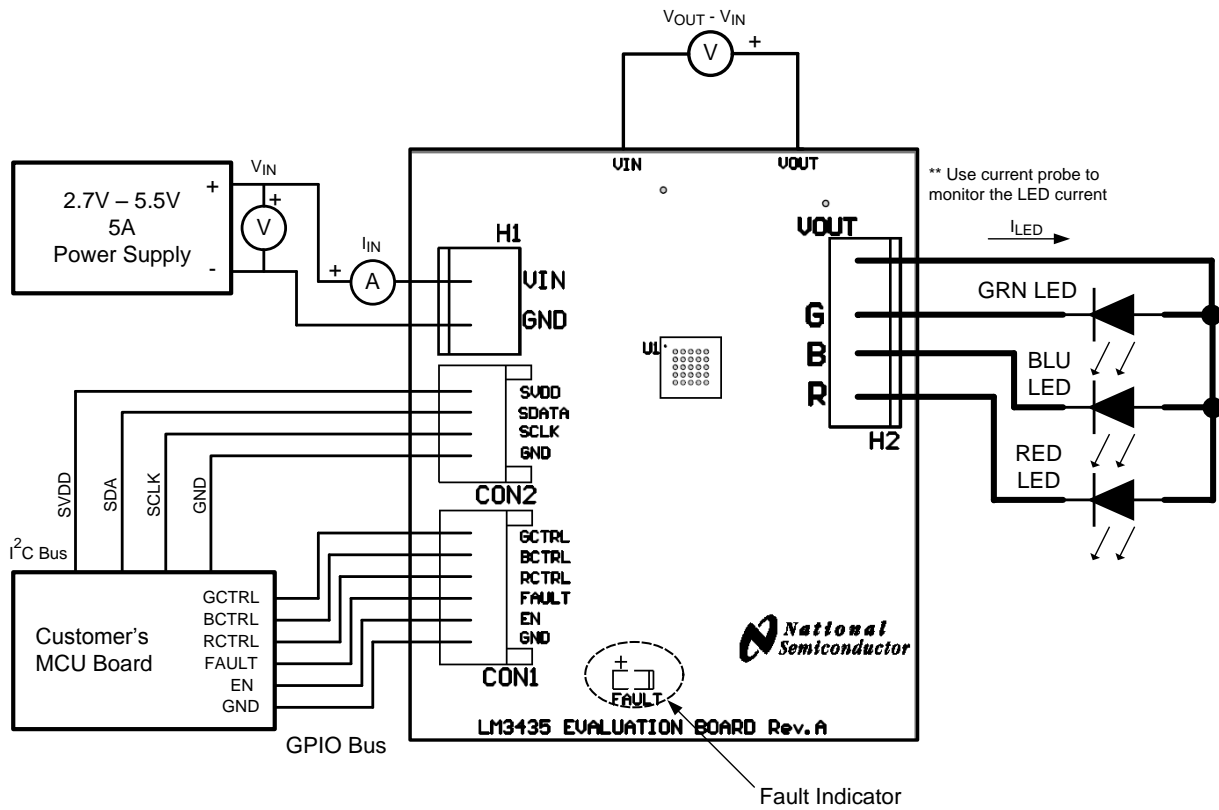
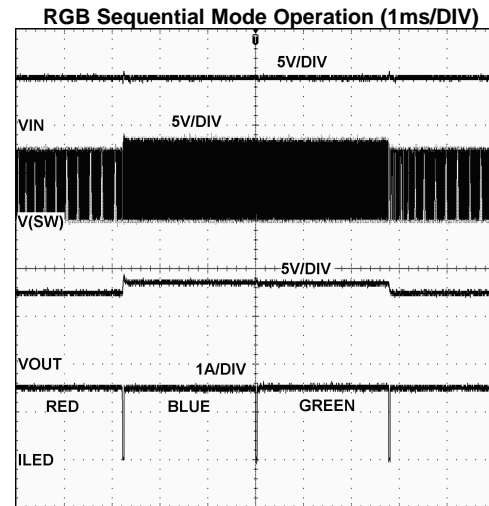
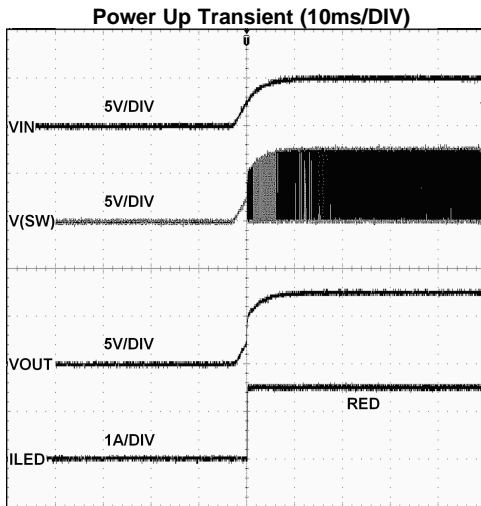
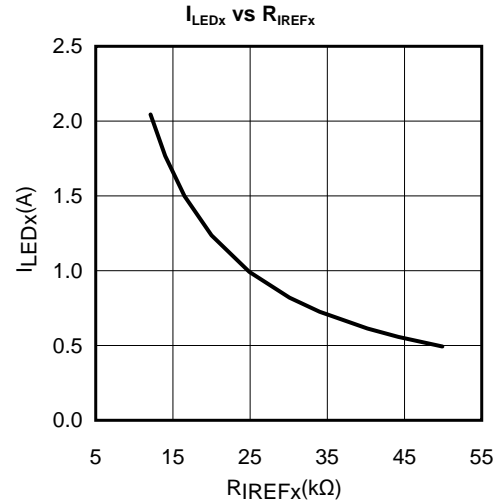
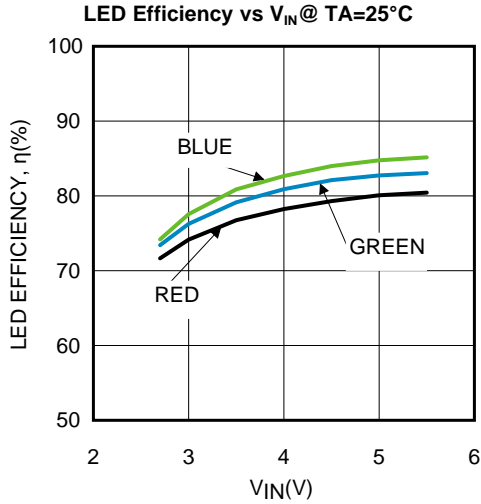
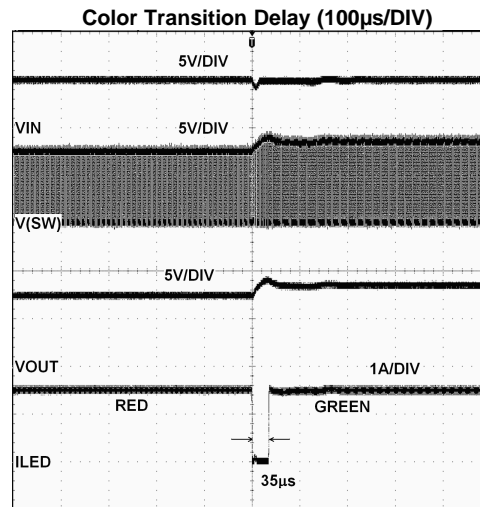


Figure 2. Evaluation Setup Connection Diagram

## 9 Typical Performance Waveforms

All curves taken at  $V_{IN} = 5V$  with configuration in typical application for driving one red (OSRAM LRW5AP-KZMX), one green (OSRAM LTW5AP-LZMY) and one blue (OSRAM LBW5AP-JYKX) LEDs with  $I_{LED} \text{ per channel} = 1.5A$  under  $T_A = 25^\circ C$ , unless otherwise specified.





## 10 Bill of Materials

In order to help customer shorten the design cycle of the target application system, a detailed list of all components used in this evaluation board is provided.

ID	Part Number	Type	Size	Parameters	Qty	Su
U1	LM3435	RGB LED Driver IC	LLP-40		1	Texas Instruments
SD1	RB160M-60	Schottky Diode	SOD-123	1A, 60V, Vf = 0.49V	1	Rohm
L1	CDMC6D28NP-2R2MC	Power Inductor	7mm x 7mm	2.2μH, 6A, 19mΩ	1	Sumida
C1, C9	GRM31CR61A476M	Ceramic Capacitor	1206	47μF, 10V, X5R	2	Murata
C2	GRM188R61E104K	Ceramic Capacitor	0603	0.1μH 25V, X5R	1	Murata
C3, C4A, C4B	GJ831CR61E106K	Ceramic Capacitor	1206	10μF, 25V, X5R	3	Murata
C5, C6, C7	GRM188R71H102K	Ceramic Capacitor	0603	1nF, 50V, X7R	3	Murata
C8	GRM188R71A105K	Ceramic Capacitor	0603	1μF, 10V, X7R	1	Murata
C10, C11, C12	GRM188R71E474K	Ceramic Capacitor	0603	0.47μF, 25V, X7R	3	Murata
R1, R2, R3		SMT Resistor	0603	16.5kΩ, ±1%	3	
R4		SMT Resistor	0603	499kΩ, ±1%	1	
R5, R6		SMT Resistor	0603	10kΩ, ±1%	2	
R7		SMT Resistor	0603	1kΩ, ±1%	1	
FAULT	LTST-C170EKT	SMT LED	0805	LED RED ORANGE	1	Lite-On
VIN, VOUT	1593-2	Terminal Pin	Φ2.35mm	Turret DBL, 2.34mm	1	Keystone
H1	B2PS-VH	Connector Header		2 Position, Pitch 3.96mm	1	JST
H2	B4PS-VH	Connector Header		4 Position, Pitch 3.96mm	1	JST
CON1	35363-0660	Connector Header		6 Position, Pitch 2mm	1	Molex
CON2	35363-0460	Connector Header		4 Position, Pitch 2mm	1	Molex

11 PCB Layout

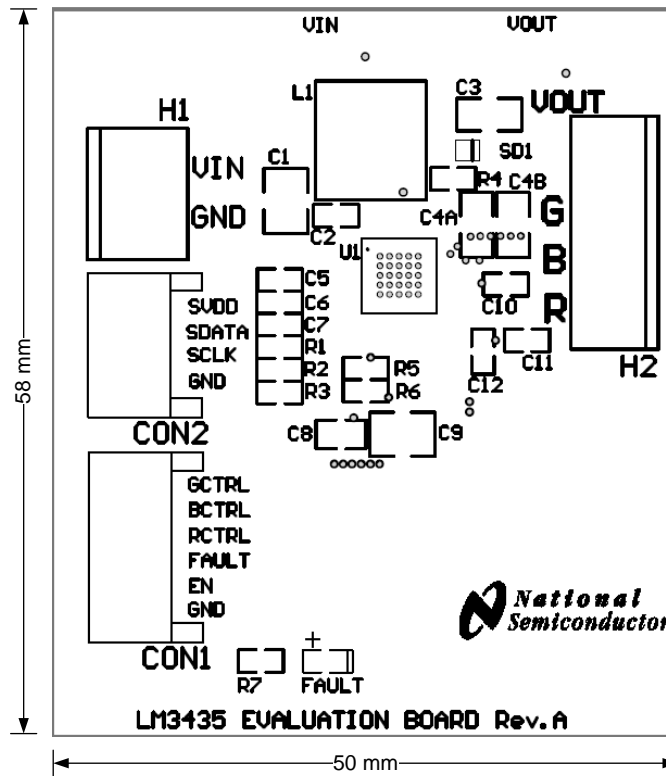


Figure 3. Top Overlay



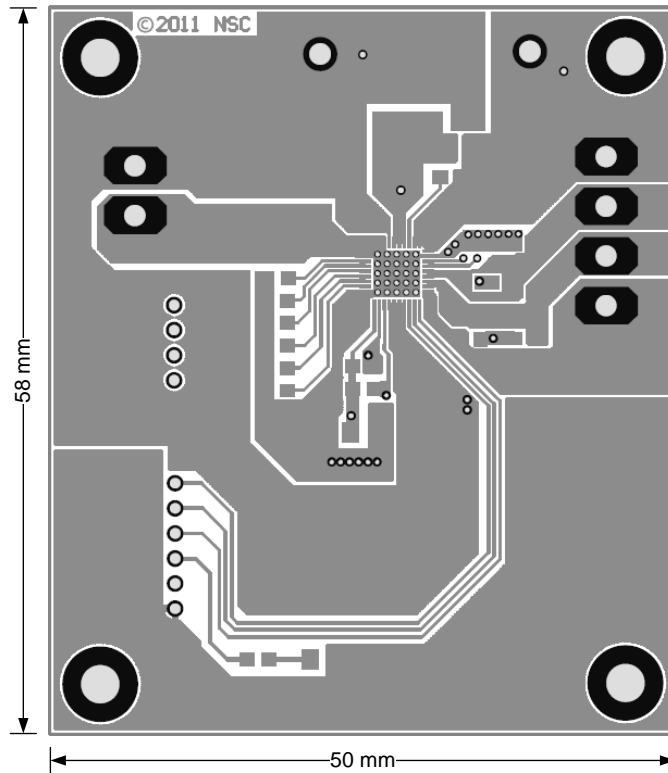


Figure 4. Top Layer

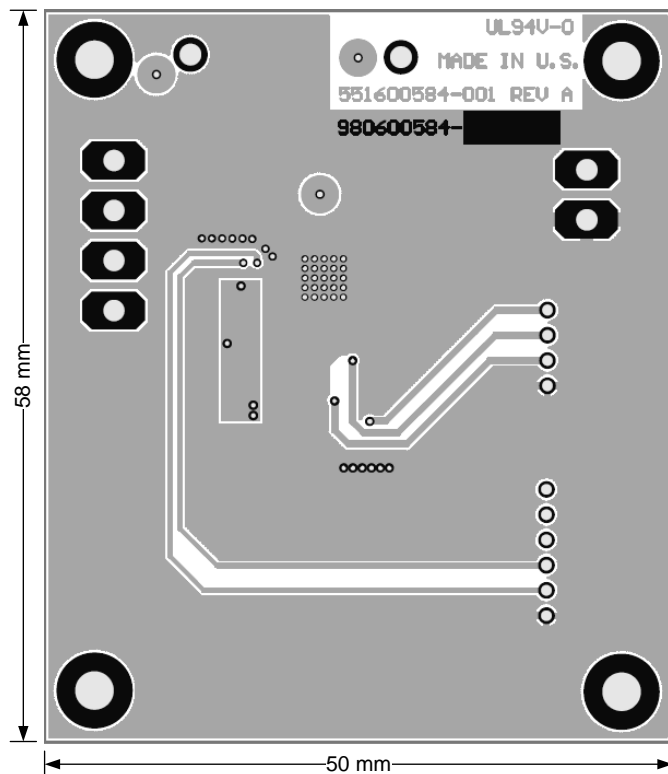


Figure 5. Bottom Layer

## IMPORTANT NOTICE

Texas Instruments Incorporated and its subsidiaries (TI) reserve the right to make corrections, enhancements, improvements and other changes to its semiconductor products and services per JESD46, latest issue, and to discontinue any product or service per JESD48, latest issue. Buyers should obtain the latest relevant information before placing orders and should verify that such information is current and complete. All semiconductor products (also referred to herein as "components") are sold subject to TI's terms and conditions of sale supplied at the time of order acknowledgment.

TI warrants performance of its components to the specifications applicable at the time of sale, in accordance with the warranty in TI's terms and conditions of sale of semiconductor products. Testing and other quality control techniques are used to the extent TI deems necessary to support this warranty. Except where mandated by applicable law, testing of all parameters of each component is not necessarily performed.

TI assumes no liability for applications assistance or the design of Buyers' products. Buyers are responsible for their products and applications using TI components. To minimize the risks associated with Buyers' products and applications, Buyers should provide adequate design and operating safeguards.

TI does not warrant or represent that any license, either express or implied, is granted under any patent right, copyright, mask work right, or other intellectual property right relating to any combination, machine, or process in which TI components or services are used. Information published by TI regarding third-party products or services does not constitute a license to use such products or services or a warranty or endorsement thereof. Use of such information may require a license from a third party under the patents or other intellectual property of the third party, or a license from TI under the patents or other intellectual property of TI.

Reproduction of significant portions of TI information in TI data books or data sheets is permissible only if reproduction is without alteration and is accompanied by all associated warranties, conditions, limitations, and notices. TI is not responsible or liable for such altered documentation. Information of third parties may be subject to additional restrictions.

Resale of TI components or services with statements different from or beyond the parameters stated by TI for that component or service voids all express and any implied warranties for the associated TI component or service and is an unfair and deceptive business practice. TI is not responsible or liable for any such statements.

Buyer acknowledges and agrees that it is solely responsible for compliance with all legal, regulatory and safety-related requirements concerning its products, and any use of TI components in its applications, notwithstanding any applications-related information or support that may be provided by TI. Buyer represents and agrees that it has all the necessary expertise to create and implement safeguards which anticipate dangerous consequences of failures, monitor failures and their consequences, lessen the likelihood of failures that might cause harm and take appropriate remedial actions. Buyer will fully indemnify TI and its representatives against any damages arising out of the use of any TI components in safety-critical applications.

In some cases, TI components may be promoted specifically to facilitate safety-related applications. With such components, TI's goal is to help enable customers to design and create their own end-product solutions that meet applicable functional safety standards and requirements. Nonetheless, such components are subject to these terms.

No TI components are authorized for use in FDA Class III (or similar life-critical medical equipment) unless authorized officers of the parties have executed a special agreement specifically governing such use.

Only those TI components which TI has specifically designated as military grade or "enhanced plastic" are designed and intended for use in military/aerospace applications or environments. Buyer acknowledges and agrees that any military or aerospace use of TI components which have **not** been so designated is solely at the Buyer's risk, and that Buyer is solely responsible for compliance with all legal and regulatory requirements in connection with such use.

TI has specifically designated certain components as meeting ISO/TS16949 requirements, mainly for automotive use. In any case of use of non-designated products, TI will not be responsible for any failure to meet ISO/TS16949.

### Products

Audio	<a href="http://www.ti.com/audio">www.ti.com/audio</a>
Amplifiers	<a href="http://amplifier.ti.com">amplifier.ti.com</a>
Data Converters	<a href="http://dataconverter.ti.com">dataconverter.ti.com</a>
DLP® Products	<a href="http://www.dlp.com">www.dlp.com</a>
DSP	<a href="http://dsp.ti.com">dsp.ti.com</a>
Clocks and Timers	<a href="http://www.ti.com/clocks">www.ti.com/clocks</a>
Interface	<a href="http://interface.ti.com">interface.ti.com</a>
Logic	<a href="http://logic.ti.com">logic.ti.com</a>
Power Mgmt	<a href="http://power.ti.com">power.ti.com</a>
Microcontrollers	<a href="http://microcontroller.ti.com">microcontroller.ti.com</a>
RFID	<a href="http://www.ti-rfid.com">www.ti-rfid.com</a>
OMAP Applications Processors	<a href="http://www.ti.com/omap">www.ti.com/omap</a>
Wireless Connectivity	<a href="http://www.ti.com/wirelessconnectivity">www.ti.com/wirelessconnectivity</a>

### Applications

Automotive and Transportation	<a href="http://www.ti.com/automotive">www.ti.com/automotive</a>
Communications and Telecom	<a href="http://www.ti.com/communications">www.ti.com/communications</a>
Computers and Peripherals	<a href="http://www.ti.com/computers">www.ti.com/computers</a>
Consumer Electronics	<a href="http://www.ti.com/consumer-apps">www.ti.com/consumer-apps</a>
Energy and Lighting	<a href="http://www.ti.com/energy">www.ti.com/energy</a>
Industrial	<a href="http://www.ti.com/industrial">www.ti.com/industrial</a>
Medical	<a href="http://www.ti.com/medical">www.ti.com/medical</a>
Security	<a href="http://www.ti.com/security">www.ti.com/security</a>
Space, Avionics and Defense	<a href="http://www.ti.com/space-avionics-defense">www.ti.com/space-avionics-defense</a>
Video and Imaging	<a href="http://www.ti.com/video">www.ti.com/video</a>

### TI E2E Community

[e2e.ti.com](http://e2e.ti.com)