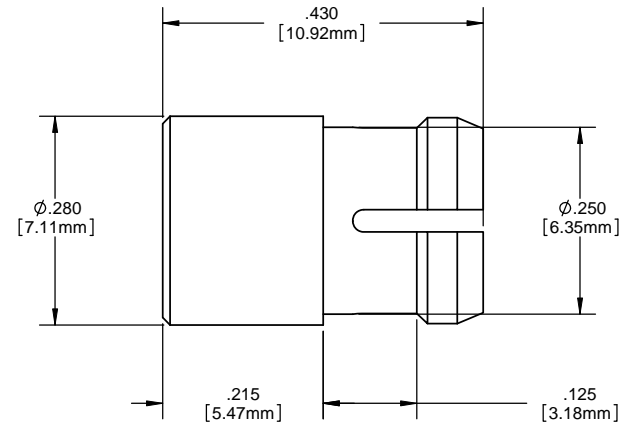
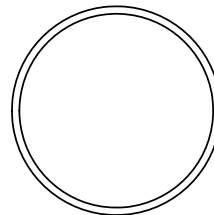
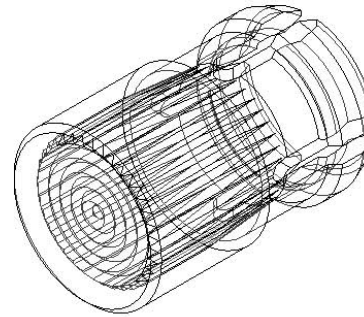


8 7 6 5 4 3 2 1

NOTES:

1. MOUNTING: Mounts in a $\phi .250 \pm .002$ [$\phi 6.35\text{mm} \pm .05$] panel hole on .375 [9.5mm] centers. Panel thickness .063 [1.6mm] to .125 [3.17mm]. Panel hole should be deburred, but not chamfered.
2. ASSEMBLY: Insert lens through panel hole, and insert LED into lens.
3. MATERIAL: Polycarbonate, UL 94-V2
GLO Series- Polycarbonate & Acrylic blend
4. U.S. & Foreign Pat. Issued & Pend.

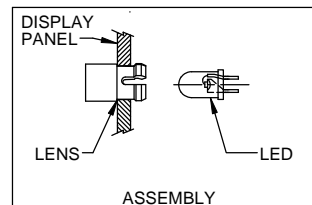
REVISIONS				
ECN#	REV.	DESCRIPTION	DATE	INITIALS
	1	ADD GLO SERIES	1-6-09	JG
	001	REVISED PER ECR111009AZ01	4-23-10	SMU



ORDERING CODE : **CLF 280 XXX**

MODEL

LENS COLOR	
RTP	RED TRANSPARENT
ATP	AMBER TRANSPARENT
GTP	GREEN TRANSPARENT
BTP	BLUE TRANSPARENT
YTP	YELLOW TRANSPARENT
CTP	CLEAR TRANSPARENT
GLO	WHITE TRANSLUCENT



<small>UNLESS OTHERWISE SPECIFIED DIMENSIONS ARE IN INCHES</small> ANGLES DECIMALS $\pm 1^\circ$.X $\pm .020$.XXX $\pm .010$ FINISH XXX $\pm .005$ BREAK ALL CORNERS AND SHARP EDGES 90 DEG	MATERIAL POLYCARBONATE, UL 94-V2	VISUAL COMMUNICATIONS COMPANY, INC. 190 Bosstick Boulevard, Suite 101 San Marcos, CA 92069 USA Phone (760) 560-1300 Fax (760) 560-1301 email vccsales@vccite.com		
	<small>THIRD ANGLE PROJECTION</small> 	FINISH SEE NOTES	TITLE: 5MM ROUND STANDARD HEIGHT FRESNEL LENS	
<small>PROPRIETARY AND CONFIDENTIAL THE INFORMATION CONTAINED IN THIS DRAWING IS THE SOLE PROPERTY OF VISUAL COMMUNICATIONS COMPANY, INC. REPRODUCTION IN PART OR AS A WHOLE WITHOUT THE WRITTEN CONSENT OF VISUAL COMMUNICATIONS COMPANY, INC. IS PROHIBITED.</small>	APPROVAL DRAWN: SMU 4-23-10 CHECKED: DZ 4-23-10 DO NOT SCALE DRAWING	DATE DATE: 4-23-10	SIZE DWG. NO. B CLF 280 XXX SCALE: 1:1	REV REV: 001 SHEET 1 OF 1

8 7 6 5 4 3 2 1