

Honeywell

SMALL PRECISION
LIMIT SWITCH

CATALOGUE LISTING
924CE SERIES

CHART I

MAX FREE LENGTH	FREE POS'N (F.P.)	OPERATING FORCE MAX		MAX SAFE POS'N (M.S.P)	OVER-TRAVEL MIN (O.T)	MAKE TO BREAK DIST (M)	BREAK TO MAKE DIST (M)	P.T. MAX (P.T.)	ISSUE	SWITCH TYPE
		KG.F.	NEWTONS							
59	17.1 ±0.4	2.3	22.5	13.1	1	0.7±0.5	2±0.5	2.2	5	924CE1-S
										924CE1-T
										924CE1-Y
72	29.9 ±0.4	2.3	22.5	25.9	1	0.7±0.5	2±0.5	2.2	5	924CE2-S
										924CE2-T
										924CE2-Y
72	29.9 ±0.4	2.3	22.5	25.9	1	0.7±0.5	2±0.5	2.2	5	924CE3-S
										924CE3-T
										924CE3-Y
86	43.9 ±0.4	2.3	22.5	39.9	1	0.7±0.5	2±0.5	2.2	5	924CE28-S
										924CE28-T
										924CE28-Y
86	43.9 ±0.4	2.3	22.5	39.9	1	0.7±0.5	2±0.5	2.2	5	924CE29-S
										924CE29-T
										924CE29-Y
78	35.7 ±0.4	2.6	25.5	31.7	1	0.7±0.5	2±0.5	2.2	5	924CE31-S
										924CE31-T
										924CE31-Y
78	35.7 ±0.4	2.6	25.5	31.7	1	0.7±0.5	2±0.5	2.2	5	924CE55-S
										924CE55-T
										924CE55-Y

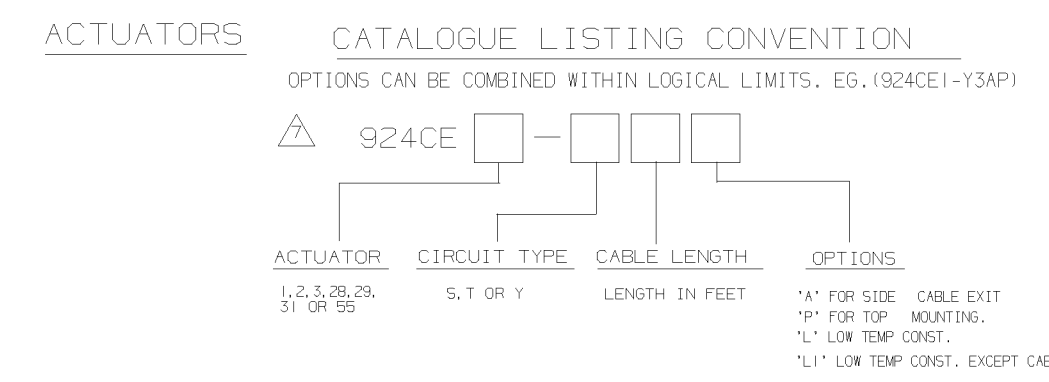
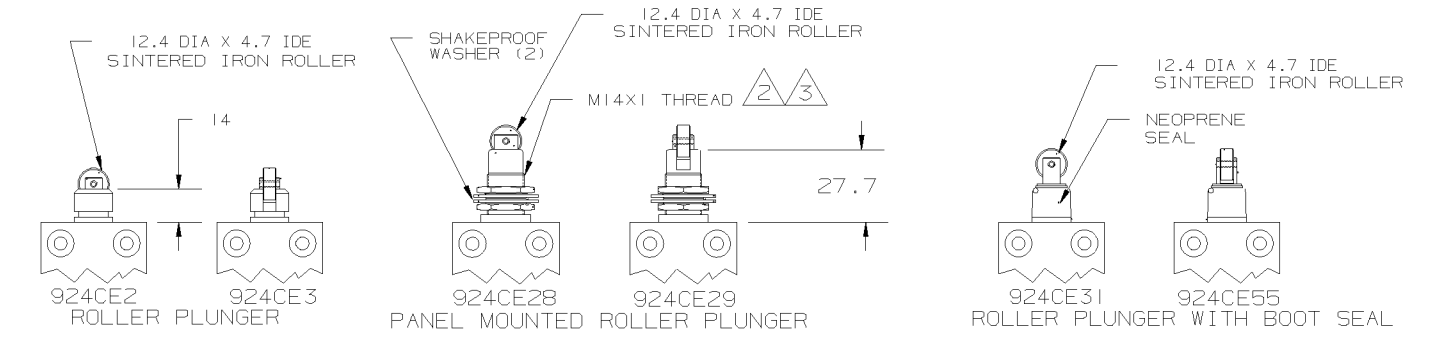
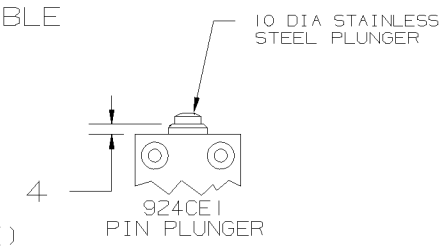
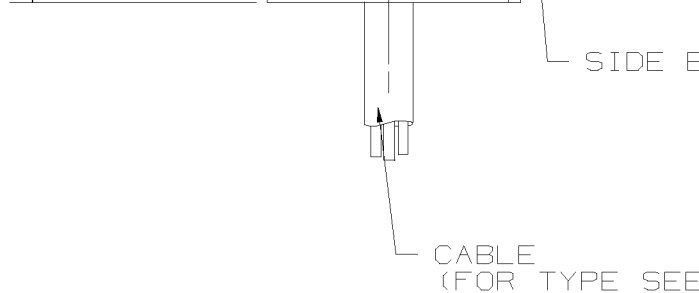
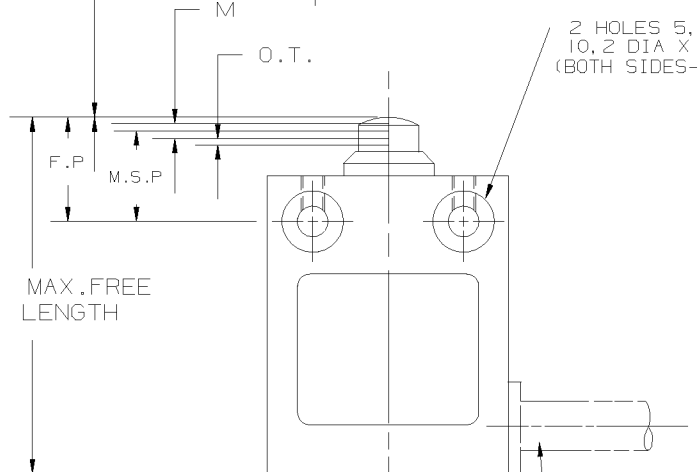
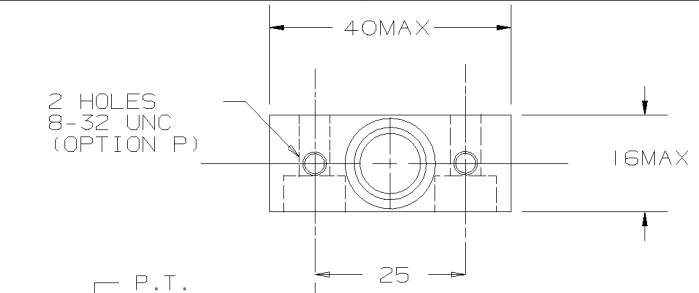
924CE SERIES CHART I

REPLACES

DRAWING

ISSUE

RELEASE NUMBER



REVISIONS

6	MS11030
7	MS11185
8	CNI4484 31.1.90 ML
9	CNI6516
23.8.95	RA
10	CO-000206
1.12.97	ML

DRAWN P. CREECHAN

NOTES

1 : DIE-CAST HOUSING FINISHED IN RED PAINT

2 : SWITCH MOUNTS THROUGH A 14.5 DIA HOLE

3 : MAXIMUM PANEL THICKNESS = 4.2

4 : THE MINIMUM PLUNGER TRAVEL PAST BREAK FOR A SAFE CONTACT GAP IS 1.5MM (S & Y ONLY)

5 : TEMPERATURE RANGE :-
STANDARD CONSTRUCTION : 0°C to +70°C
LOW TEMP. CONSTRUCTION : -40°C to +70°C

6 : LOW TEMP. CABLE SILICONE SHEATHED

7 : ALL LOGICAL LISTINGS ARE IEC 947-5-1 APPROVED.

CIRCUIT TYPE		ELECTRICAL RATING		CIRCUIT DIAGRAM		CABLE	
S	BREAK BEFORE MAKE	10A-250 VAC 1/3 HP-125/250 VAC	IEC 947-5-1 EN60947-5-1 AC15 B300 DC13 R300	BLACK	RED	GREEN	5 X 18 AWG SJTO (UL APPROVED)
T	MAKE BEFORE BREAK			WHITE	WHITE		6
Y	SINGLE THROW NORMALLY CLOSED	10A-250 VAC 1/3 HP-125/250 VAC		BLACK	RED	GREEN	3 X 18 AWG SJTO (UL/CSA APPROVED)

DIMENSIONS ARE IN (MM)

THE COPYRIGHT OF THIS DRAWING IS THE PROPERTY OF HONEYWELL LTD. THE DRAWING IS SUPPLIED IN CONFIDENCE AND MUST NOT BE USED FOR ANY PURPOSE OTHER THAN THAT FOR WHICH IT IS SUPPLIED.

THIRD ANGLE PROJECTION