



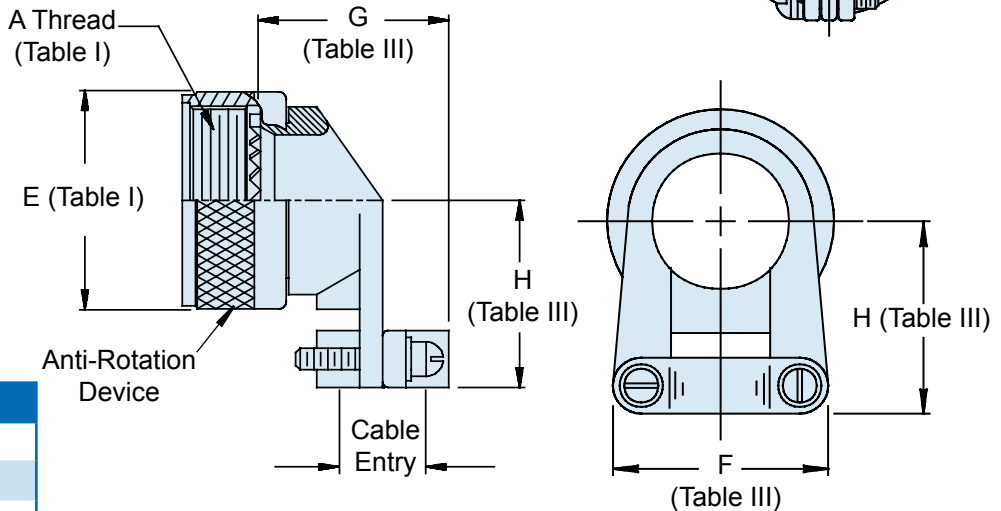
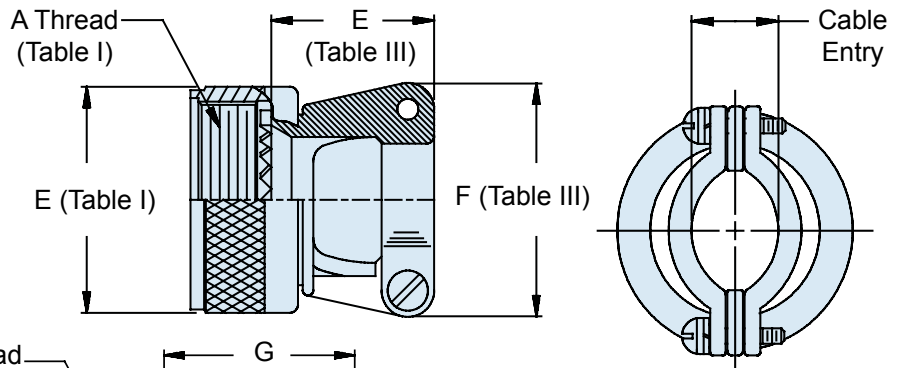
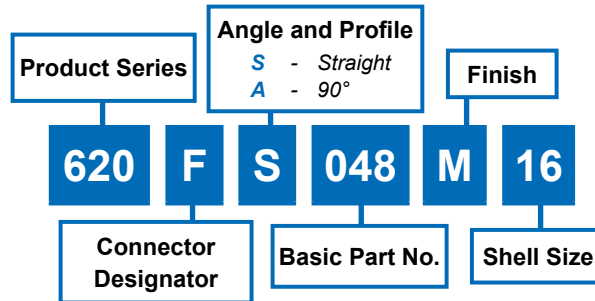
620-048 Strain Relief Self-Locking Rotatable Coupling - Straight and 90°

CONNECTOR DESIGNATOR

MIL-DTL-38999 Series I, II (F)
MIL-DTL-38999 Series III and IV (H)

F-H

SELF-LOCKING ROTATABLE COUPLING



APPLICATION NOTES

- Cable range is defined as the accommodation range for the wire bundle or cable. Dimensions shown are not intended for inspection criteria.
- Metric dimensions (mm) are indicated in parentheses.

TABLE II: FINISHES

| Symbol | Finish |
|--------|---|
| B | Cadmium Plate, Olive Drab |
| C | Anodize, Black |
| G | Hard Coat, Anodic |
| GB | Black Anodize, Hard Coat |
| M | Electroless Nickel |
| N | Cad Plate, Olive Drab over Electroless Nickel |
| NF | Cadmium Plate, Olive Drab over Electroless Nickel |
| MT | Nickel Fluorocarbon Polymer |
| Z1 | Stainless Steel Passivate |
| ZN | Zinc-Nickel |

TABLE III: CABLE ENTRY

| Shell Size | Cable Range | | G Max | H Max | Cable Range Closed | Cable Range Open |
|------------|--------------|--------------|--------------|--------------|--------------------|------------------|
| | E Max | F Max | | | | |
| 08/09 | .830 (21.1) | .780 (19.8) | .704 (17.9) | .808 (20.5) | .098 (2.5) | .234 (5.9) |
| 10/11 | .850 (21.6) | .832 (21.1) | .786 (20.0) | .867 (22.0) | .153 (3.9) | .234 (5.9) |
| 12/13 | .900 (22.9) | .988 (25.1) | .979 (24.9) | .929 (23.6) | .190 (4.8) | .328 (8.3) |
| 14/15 | .900 (22.9) | 1.046 (26.6) | 1.039 (26.4) | .992 (25.2) | .260 (6.6) | .457 (11.6) |
| 16/17 | .940 (23.9) | 1.319 (33.5) | 1.188 (30.2) | 1.056 (26.8) | .283 (7.2) | .614 (15.6) |
| 18/19 | 1.020 (25.9) | 1.451 (36.9) | 1.300 (33.0) | 1.233 (31.3) | .325 (8.3) | .634 (16.1) |
| 20/21 | 1.070 (27.2) | 1.557 (39.5) | 1.425 (36.2) | 1.296 (32.9) | .343 (8.7) | .698 (17.7) |
| 22/23 | 1.190 (30.2) | 1.653 (42.0) | 1.550 (39.4) | 1.358 (34.5) | .381 (9.7) | .823 (20.9) |
| 24/25 | 1.220 (31.0) | 1.775 (45.1) | 1.675 (42.5) | 1.420 (36.1) | .418 (10.6) | .853 (21.7) |