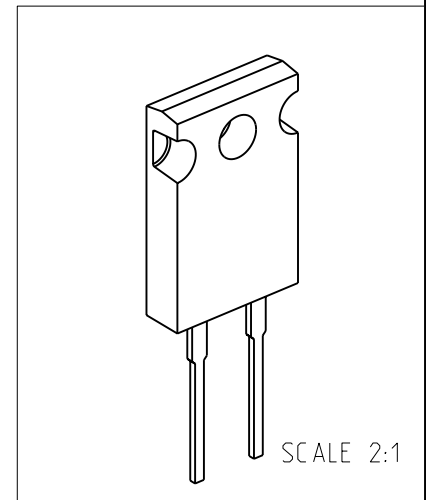
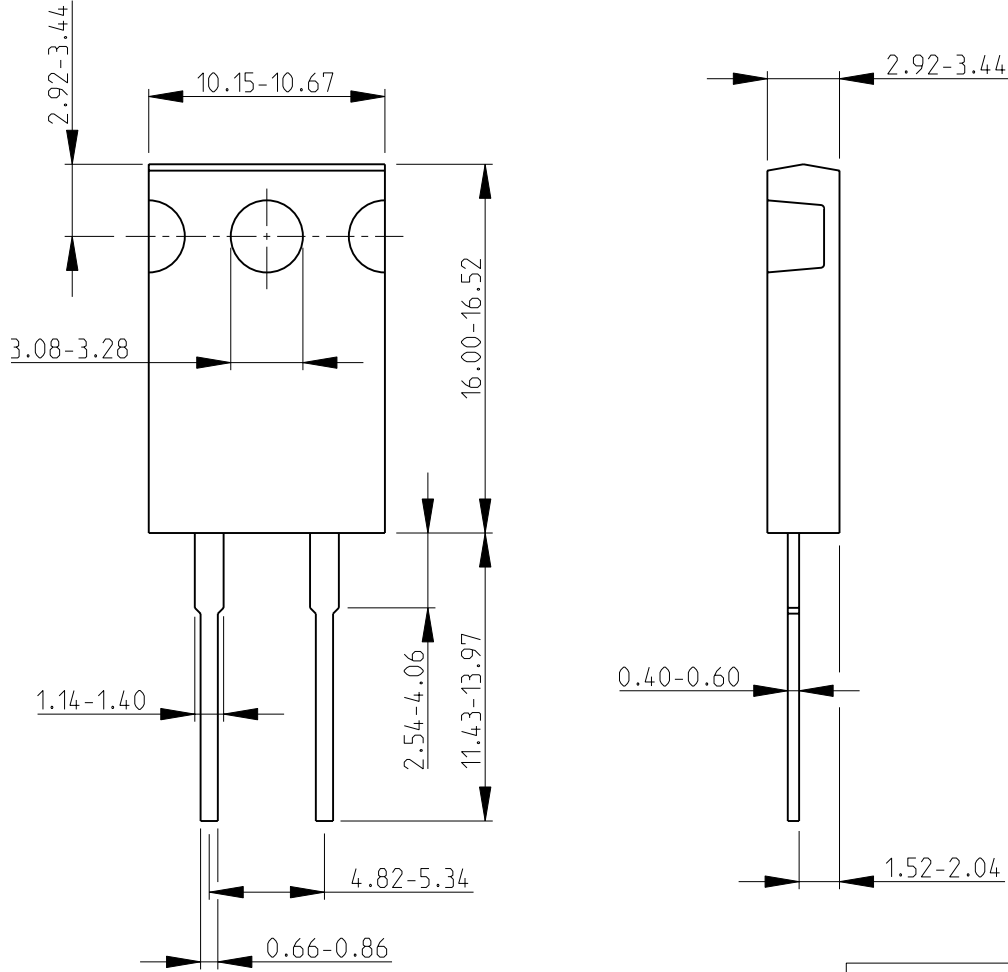


LOC	DIST	REVISIONS					
E	B	P	LTR	DESCRIPTION	DATE	DWN	APVD
			BA	NEW RELEASE	18-NOV-08	SM	St.P

FOR FURTHER INFORMATION SEE DATA SHEET FOR
MPT SERIES-THICK FILM POWER RESISTORS



RoHS Compliant

2008

RELEASED FOR PUBLICATION

THIS DRAWING IS UNPUBLISHED.

© COPYRIGHT 2008 BY TYCO ELECTRONICS CORPORATION. ALL RIGHTS RESERVED.

DIMENSIONS: mm	DWN	SUBHASH.M	18-NOV-08	MATERIAL	-	FINISH	-	
	CHK	PRAKASH.S	18-NOV-08	Tyco Electronics Tyco Electronics Corporation Dorcan, Swindon, SN3 5HH				
TOLERANCES UNLESS OTHERWISE SPECIFIED:	APVD	STEPHEN.P	18-NOV-08					
	0 PLC	±0.2	PRODUCT SPEC	NAME THICK FILM POWER RESISTORS SERIES MPT30				
1 PLC	±0.1	APPLICATION SPEC	SIZE					CAGE CODE
2 PLC	±-	-	A 4	00779	©-1879356	-		
3 PLC	±-	-	CUSTOMER DRAWING				SCALE	3:1
4 PLC	±-	-	SCALE				SHEET	1 OF 1
ANGLES	±5°	-	SCALE				REV	BA