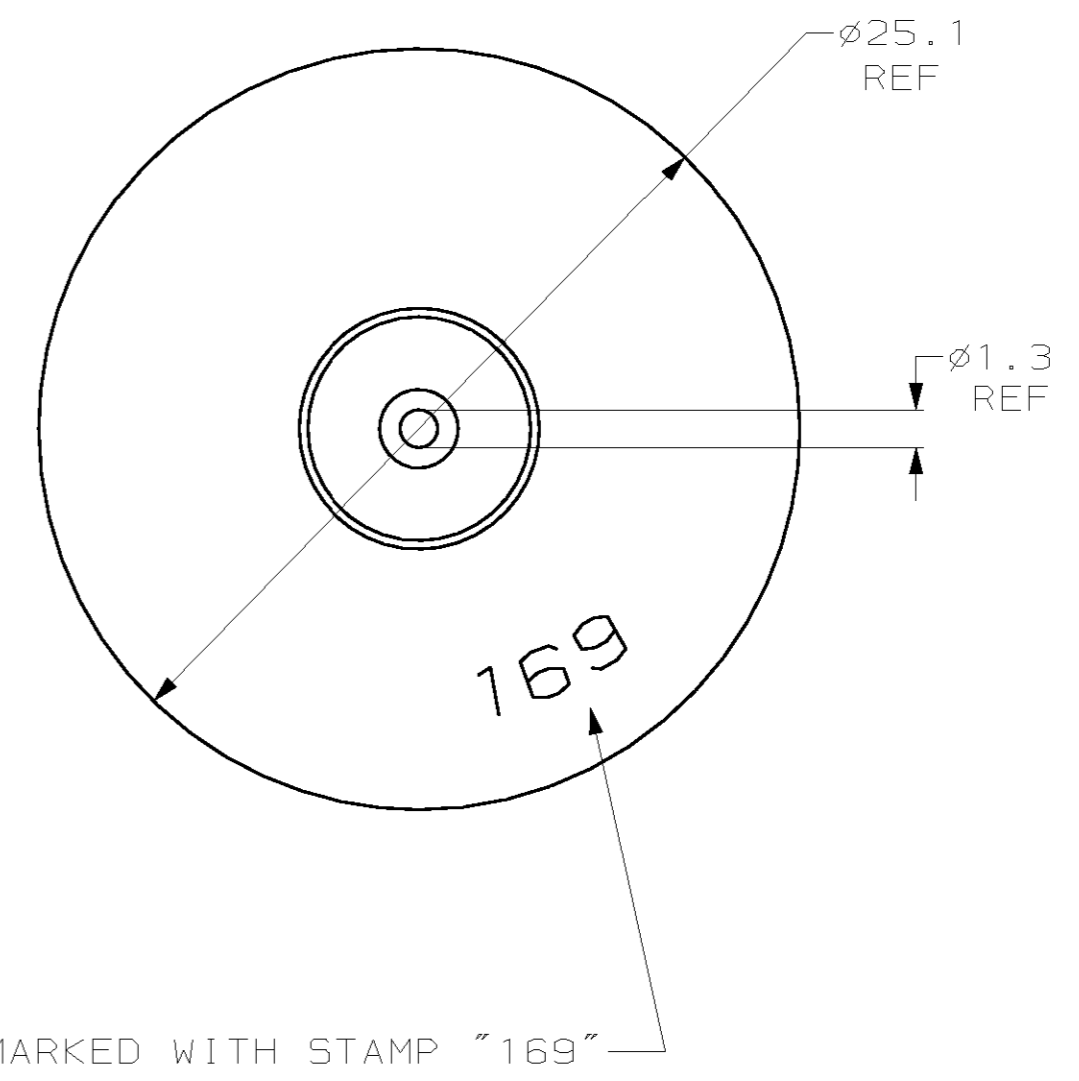
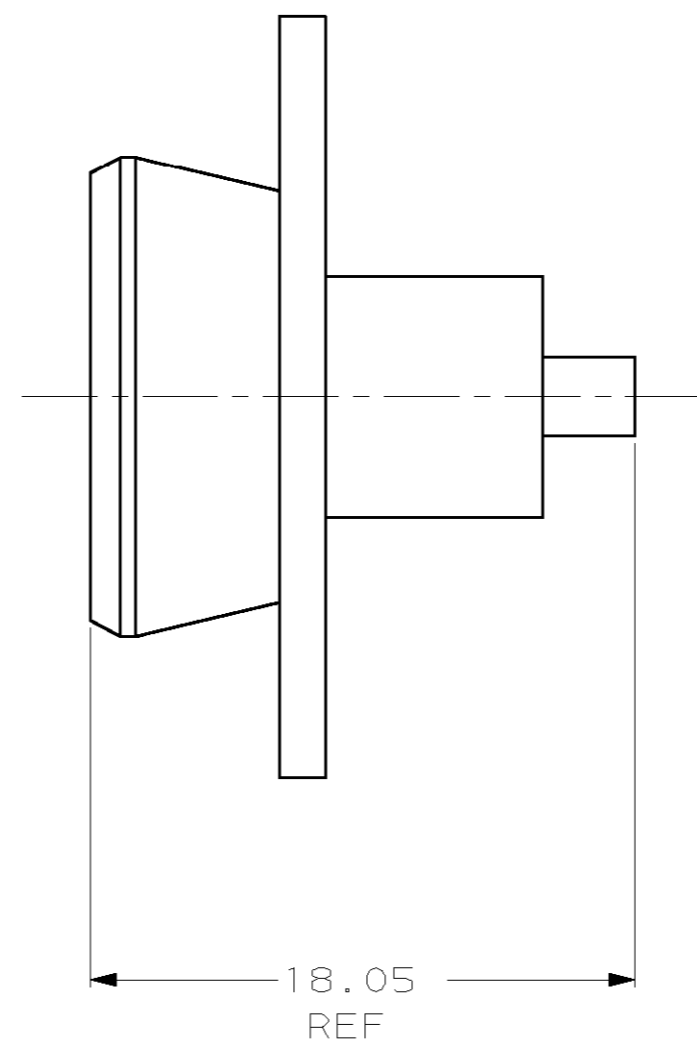
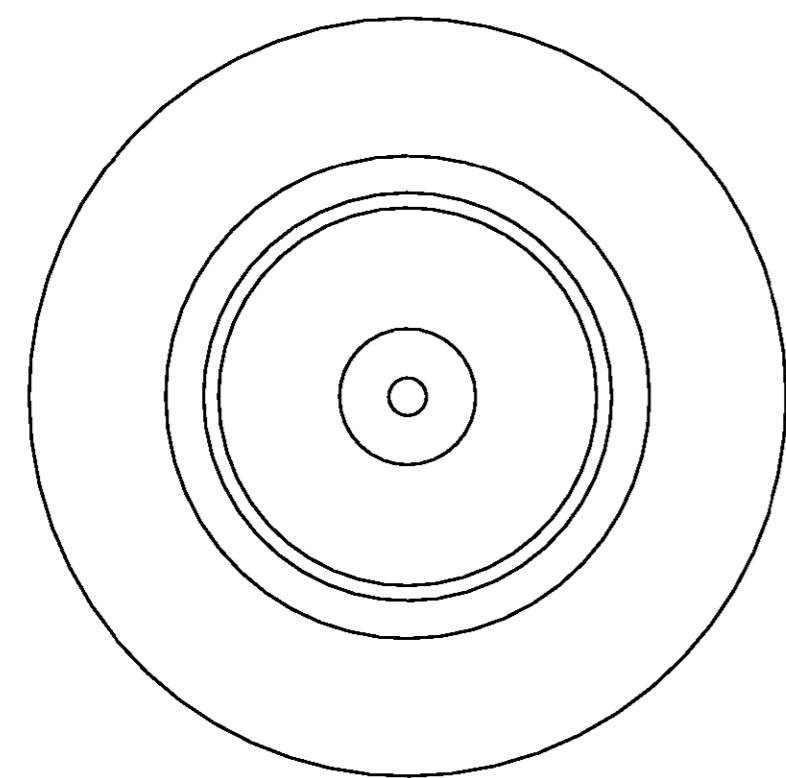


THIS DRAWING IS UNPUBLISHED. RELEASED FOR PUBLICATION .19
 (C) COPYRIGHT 19 BY AMP INCORPORATED. ALL RIGHTS RESERVED.

LOC		DIST		REVISIONS			
P	LTR	DESCRIPTION		DATE	DWN	APVD	
0		RELEASED PER NPR 99-473		22SEP99	TG	5B	



MARKED WITH STAMP "169"

1278997-1
PART NUMBER

THIS DRAWING IS A CONTROLLED DOCUMENT.		DWN	22SEP99	AMP Incorporated Harrisburg, PA 17105-3608
		CHK	M.GURRERI	
		APVD	S.BUCHTER	
		NAME	S.BUCHTER	
DIMENSIONS:		TOLERANCES UNLESS OTHERWISE SPECIFIED:		PRODUCT SPEC
mm				APPLICATION SPEC
		0 PLC	±-	WEIGHT
		1 PLC	±.2	A2 00779 C-1278997
		2 PLC	±.2	CUSTOMER DRAWING
		3 PLC	±-	SCALE 4:1 SHEET 1 OF 1 REV 0
		4 PLC	±-	
MATERIAL -		FINISH -		

1278997

OBsolete
 NOT the LATEST REVISION