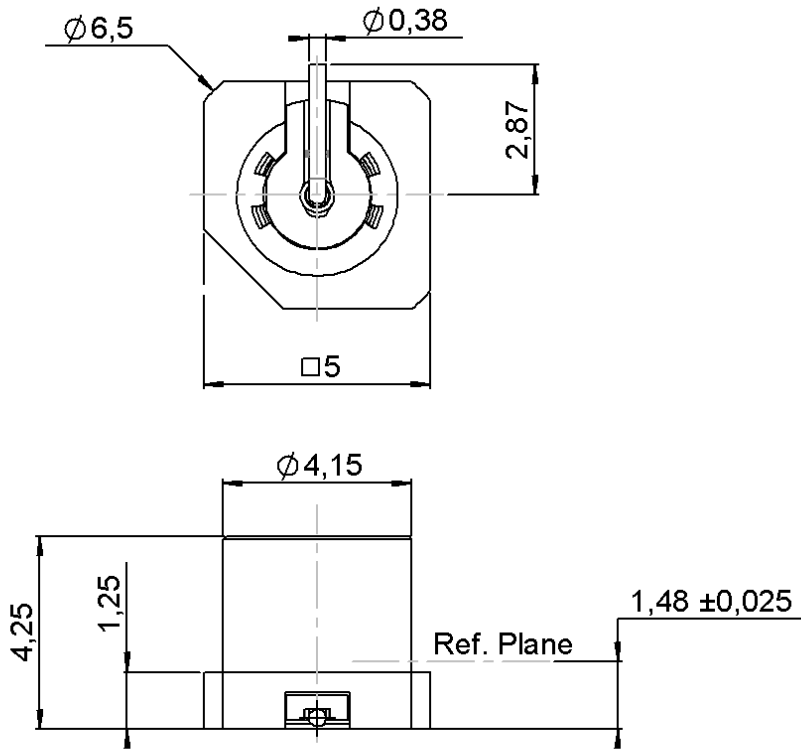


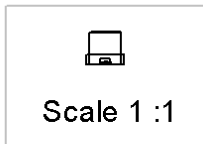
NON MAGNETIC STRAIGHT MALE RECEPTACLE SMT
LIMITED DETENT -TAPE AND REEL BY 500

R222.941.324

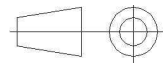
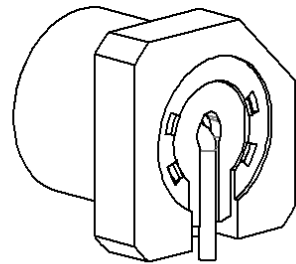
Series : SMP-COM



Production according to procedure PAQP-C-017



Coaxial connector will not go over 0.5ppm at 10mm under a magnetic field of 1.5T



All dimensions are in mm.

COMPONENTS	MATERIALS	PLATING (µm)
BODY	NON MAGNETIC BRONZE	GOLD 1.3 OVER COPPER 2.5
CENTER CONTACT	BERYLLIUM COPPER	GOLD 1.3 OVER COPPER 2.5
OUTER CONTACT	-	-
INSULATOR	PEEK	-
GASKET	-	-
OTHERS PARTS	-	-
-	-	-
-	-	-

Issue : 1121 A

In the effort to improve our products, we reserve the right to make changes judged to be necessary.



NON MAGNETIC STRAIGHT MALE RECEPTACLE SMT

R222.941.324

LIMITED DETENT -TAPE AND REEL BY 500

Series : SMP-COM

PACKAGING

SPECIFICATION

Standard	Unit	Other
500		Contact us

ELECTRICAL CHARACTERISTICS

ENVIRONMENTAL

Impedance		50 Ω
Frequency		0-12.4* GHz
VSWR	1.1 ** +	0,0000 x F(GHz) Maxi
Insertion loss		0.12 √F(GHz) dB Maxi
RF leakage	- (NA - F(GHz)) dB Maxi
Voltage rating		335 Veff Maxi
Dielectric withstanding voltage		500 Veff mini
Insulation resistance		5000 MΩ mini

Operating temperature	-55/+125 ° C
Hermetic seal	NA Atm.cm3/s
Panel leakage	NA

OTHER CHARACTERISTICS

Assembly instruction

Others :

*ROS 1.35 at 12.4GHz

**ROS at 6GHz

Maximum DC current : 7 Amps

MECHANICAL CHARACTERISTICS

Center contact retention		
Axial force – Mating end	6.8	N mini
Axial force – Opposite end	6.8	N mini
Torque	NA	N.cm mini
Recommended torque		
Mating	NA	N.cm
Panel nut	NA	N.cm
Mating life	100	Cycles mini
Weight	0,3310	g

Issue : 1121 A

In the effort to improve our products, we reserve the right to make changes judged to be necessary.



NON MAGNETIC STRAIGHT MALE RECEPTACLE SMT

R222.941.324

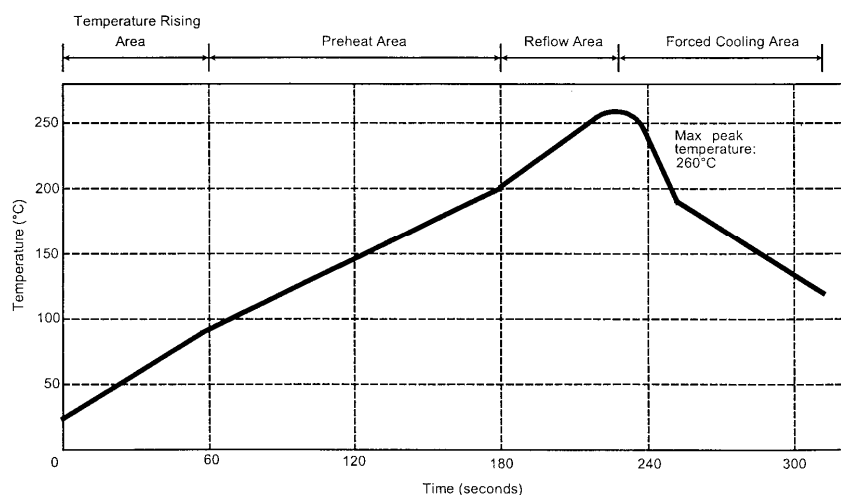
LIMITED DETENT -TAPE AND REEL BY 500

Series : SMP-COM

SOLDER PROCEDURE

1. Deposit solder paste 'SnAg4Cu0.5' on mounting zone by screen printing application. We recommend a low residue flux.
We advise a thickness of 150 micromm (5.850 microinch). Verify that the edges of the zone are clean.
2. Placement of the receptacle on the mounting zone with an automatic machine of 'pick and place' type. A video camera is recommended for positioning of the component . Adhesive agents must not be used on the receptacle.
3. This process of soldering has been tested with convection oven .Below please find ,the typical profile to use.
4. The cleaning of printed circuit boards is not obliged .
5. Verification of solder joints and position of the component by visual inspection.

TEMPERATURE PROFILE



Parameter	Value	Unit
Temperature rising Area	1 - 4	°C/sec
Max Peak Temperature	260	°C
Max dwell time @260°C	10	sec
Min dwell time @235°C	20	sec
Max dwell time @235°C	60	sec
Temperature drop in cooling Area	-1 to - 4	°C/sec
Max dwell time above 100°C	420	sec

Issue : 1121 A

In the effort to improve our products, we reserve the right to make changes judged to be necessary.

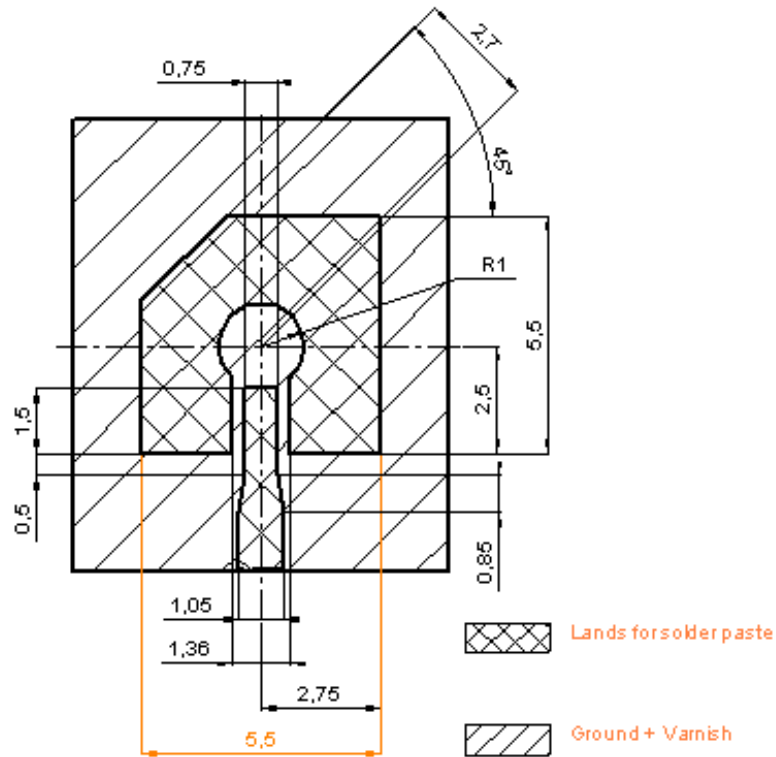


NON MAGNETIC STRAIGHT MALE RECEPTACLE SMT
LIMITED DETENT -TAPE AND REEL BY 500

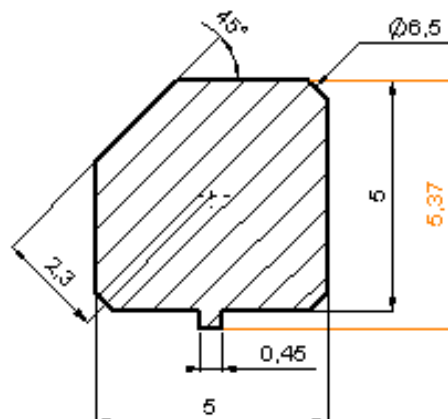
R222.941.324

Series : SMP-COM

STANDARD PAD(FOR ROGERS 4350)



SHADOW OF RECEPTACLE FOR VIDEO CAMERA



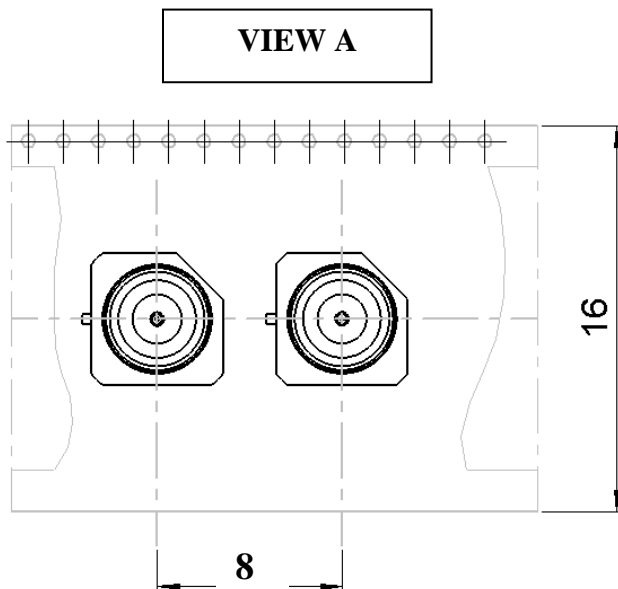
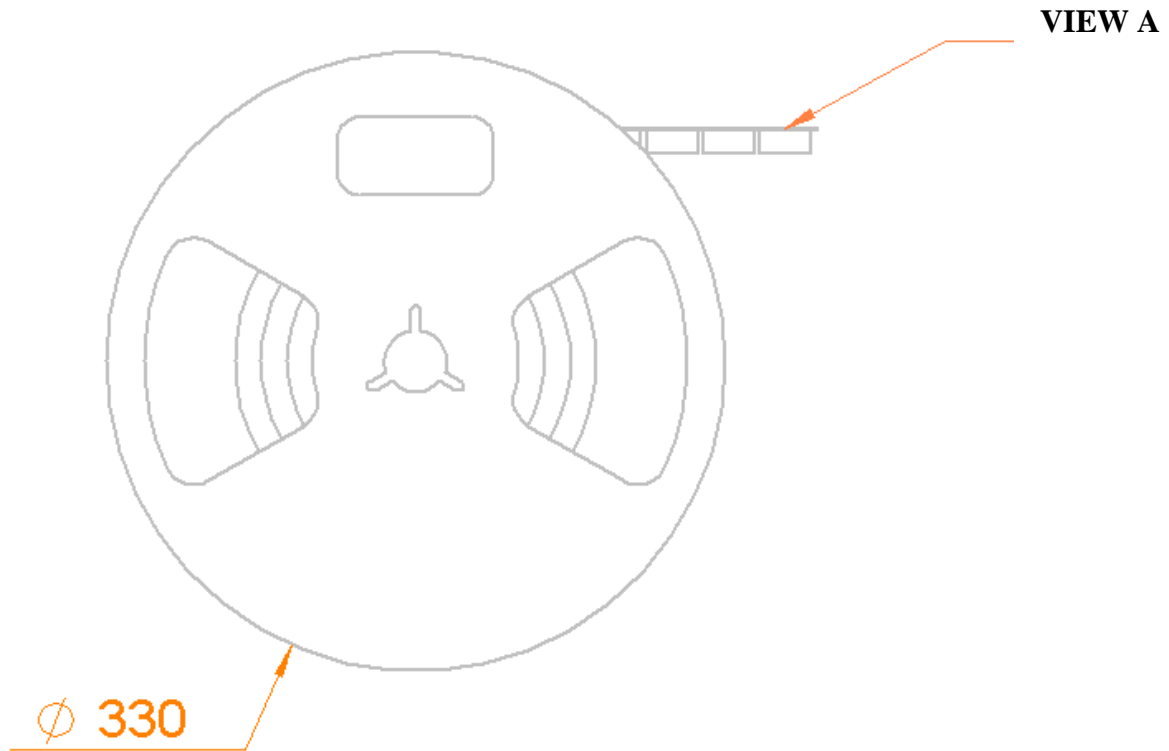
Issue : 1121 A

In the effort to improve our products, we reserve the right to make changes judged to be necessary.

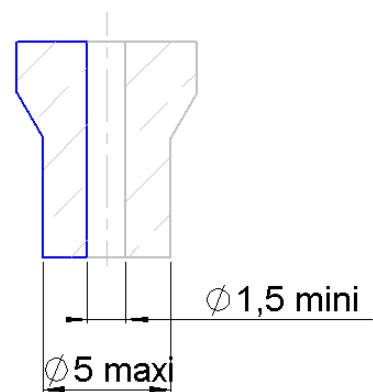
NON MAGNETIC STRAIGHT MALE RECEPTACLE SMT
LIMITED DETENT -TAPE AND REEL BY 500

R222.941.324

Series : SMP-COM



AIR SUNCTION



Issue : 1121 A

In the effort to improve our products, we reserve the right to make changes judged to be necessary.