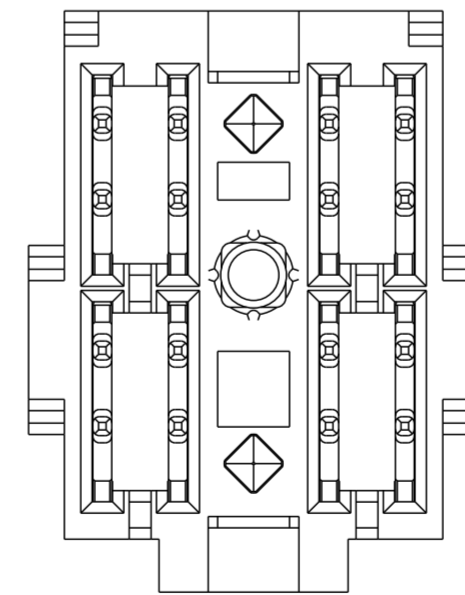
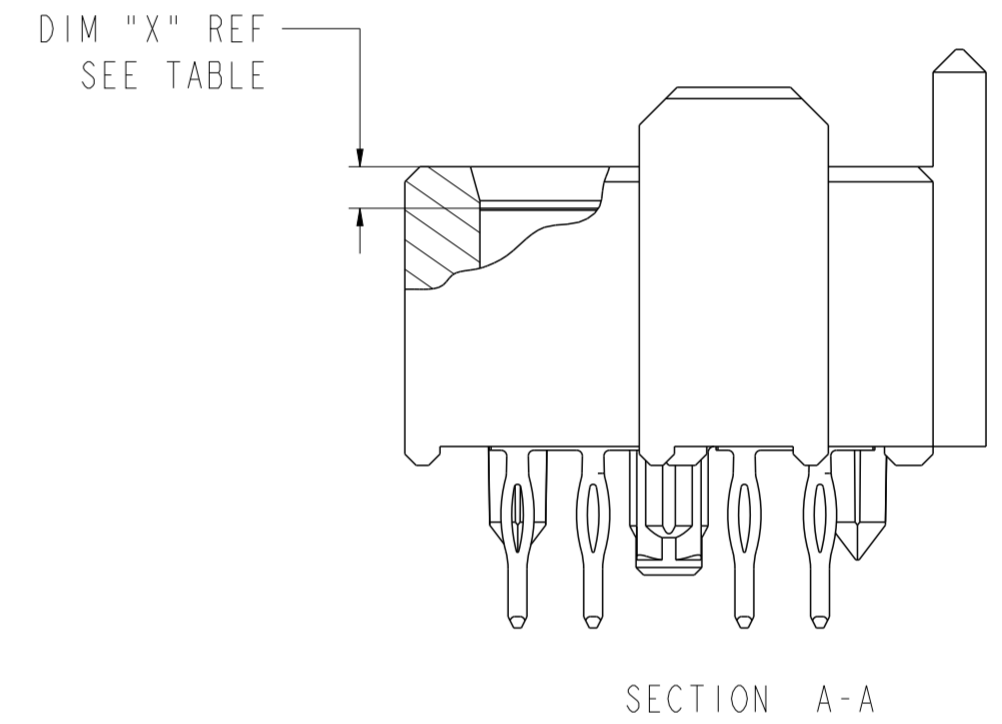
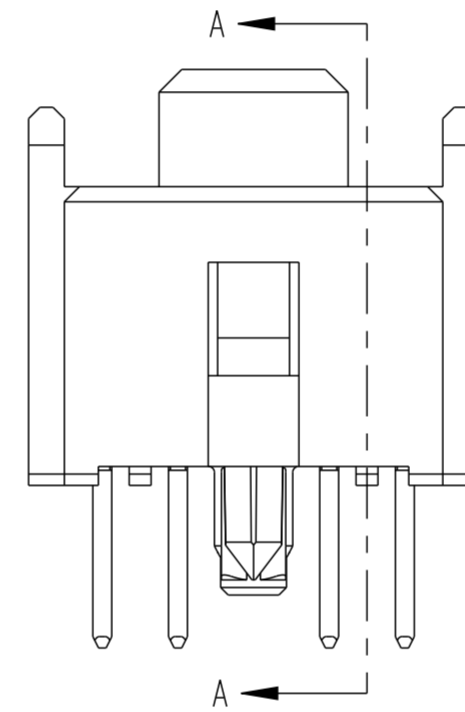
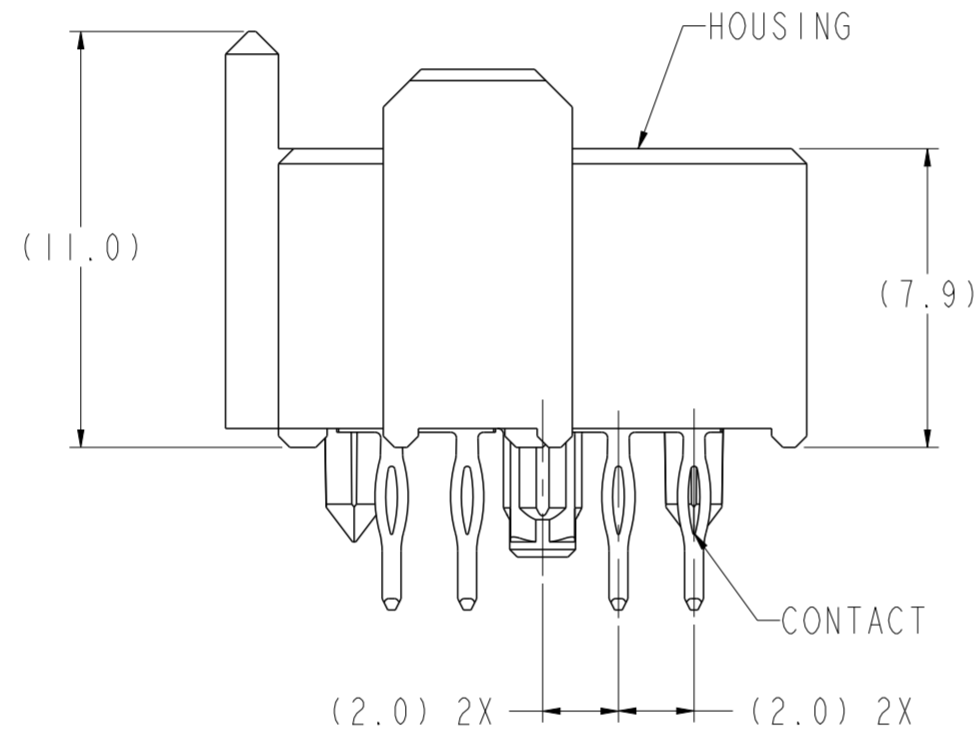
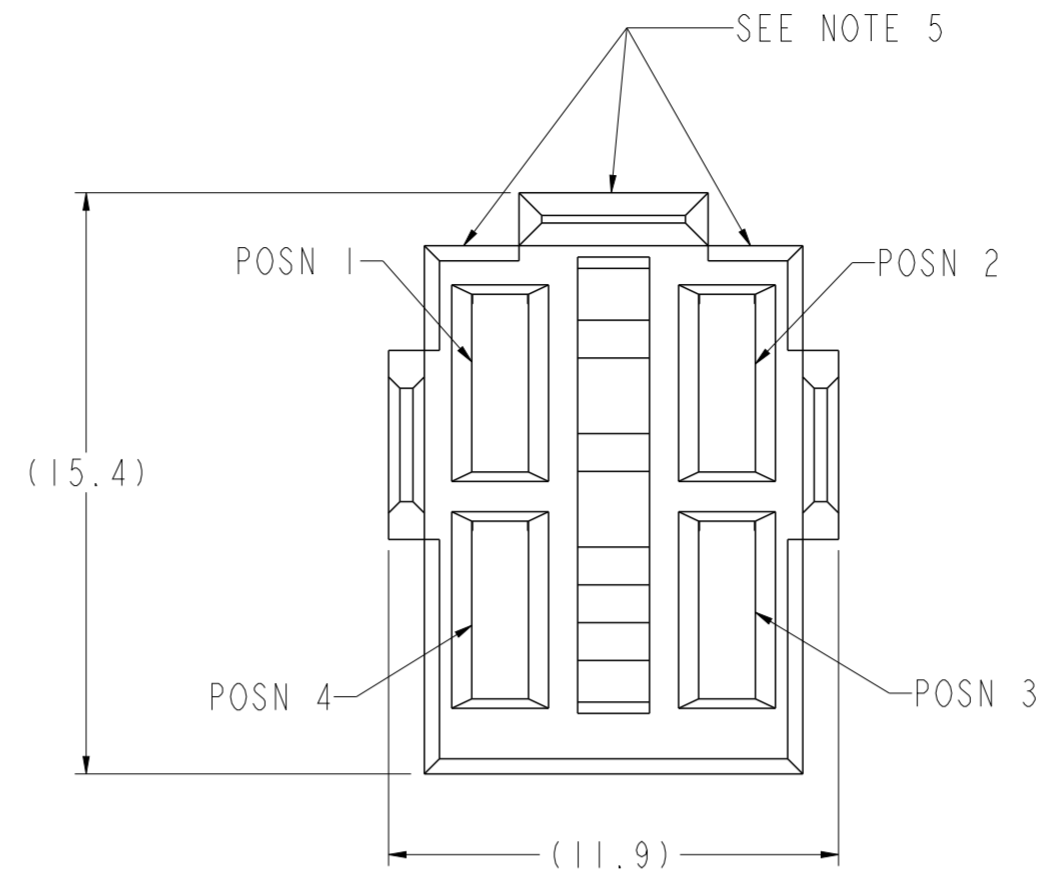


PRODUCT NUMBER	MATING LENGTH, DIM "X" (REF)				ROHS COMPATIBILITY
	POSN 1	POSN 2	POSN 3	POSN 4	
10025058-1222	1.10	2.60	2.60	2.60	N/A
10025058-1122	1.10	1.10	2.60	2.60	N/A
10025058-2122	2.60	1.10	2.60	2.60	N/A
10025058-2111	2.60	1.10	1.10	1.10	N/A
10025058-2112	2.60	1.10	1.10	2.60	N/A
10025058-1222LF	1.10	2.60	2.60	2.60	SEE NOTE 8
10025058-1122LF	1.10	1.10	2.60	2.60	SEE NOTE 8
10025058-2122LF	2.60	1.10	2.60	2.60	SEE NOTE 8
10025058-2111LF	2.60	1.10	1.10	1.10	SEE NOTE 8
10025058-2112LF	2.60	1.10	1.10	2.60	SEE NOTE 8



spec ref	GS-12-220	dr	Chen-Hong Tan	2005/08/03	projection	MM	size	A2	scale	5:1	
tolerance std	ASME Y14.5	eng	Suzie Nah	2013/12/25			ecn no	ELX-S-16550-1	rel level	Released	
TOLERANCES UNLESS OTHERWISE SPECIFIED		chr	-	appr							Chen-Hong Tan
surface	3/2	linear	0.X	±0.3		<b>2 X 2 RECEPTACLE ASSEMBLY</b>	dwg no 10025058	rev K	Product - Customer Draw		
ASME Y14.5	angular	0°	±2°	www.fci.com					cat. no.	-	sheet 1 of 2

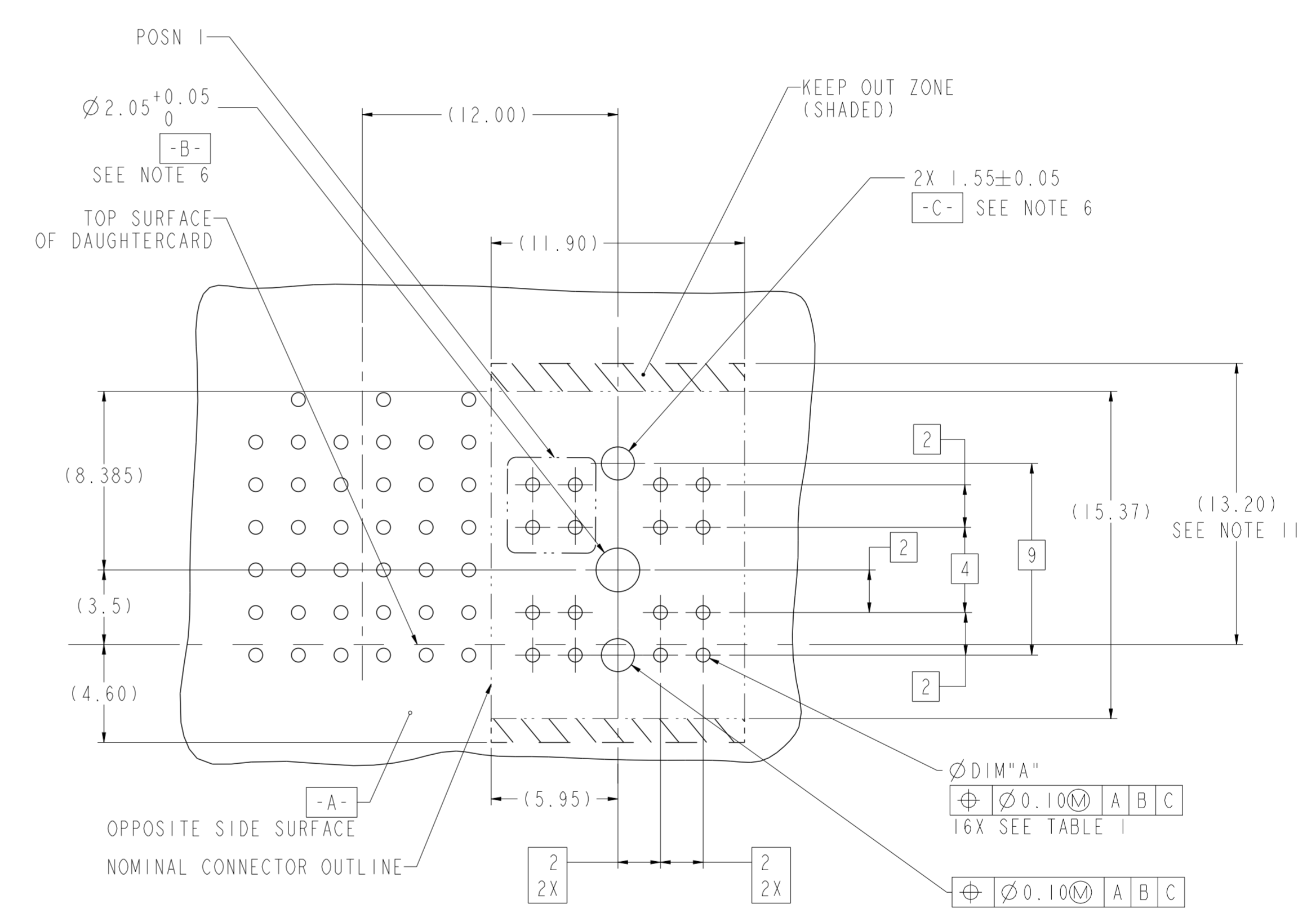
PDS: Rev :K

STATUS:Released

Printed: Jan 14, 2014

TABLE I  
PLATED THROUGH-HOLE REQUIREMENTS

TOP LAYER DESCRIPTION	DRILLED HOLE DIAMETER	COPPER THICKNESS	TIN-LEAD THICKNESS	NICKEL THICKNESS	GOLD THICKNESS	TIN THICKNESS	SILVER THICKNESS	FINISHED HOLE DIAMETER (DIM "A")
TIN-LEAD	0.81-0.86 (0.85 DRILL)	0.025 - 0.050	0.005 - 0.015	--	--	--	--	0.65 - 0.80
IMMERSION TIN	0.81-0.86 (0.85 DRILL)	0.025 - 0.050	--	--	--	0.9 - 1.5 $\mu$ m	--	0.70 - 0.80
IMMERSION SILVER	0.81-0.86 (0.85 DRILL)	0.025 - 0.050	--	--	--	--	0.15 - 0.65 $\mu$ m	0.70 - 0.80
COPPER (SEE NOTE 10)	0.81-0.86 (0.85 DRILL)	0.025 - 0.050	--	--	--	--	--	0.70 - 0.80
GOLD	0.81-0.86 (0.85 DRILL)	0.025 - 0.050	--	0.003 - 0.007	FLASH UP TO 0.0002	--	--	0.69 - 0.80



RECOMMENDED PCB LAYOUT, COMPONENT SIDE  
(SHOWN BESIDE A 5-ROW METRAL 1000 HEADER)

- NOTES:
1. CONNECTOR MATERIALS:  
HOUSING: HIGH TEMPERATURE THERMOPLASTIC, BLACK, UL94V-0 COMPLIANT.  
CONTACT: HIGH PERFORMANCE COPPER ALLOY
  2. CONTACT PLATING:  
PRESS-FIT TAIL: 0.5-1.5  $\mu$ m TIN-LEAD OVER NICKEL (LEADED)  
                    : 0.5-1.5  $\mu$ m MATTE TIN OVER NICKEL (LEAD FREE)  
SEPARABLE INTERFACE: 0.76  $\mu$ m MIN GXT OVER NICKEL
  3. PRODUCT SPECIFICATION: GS-12-220
  4. APPLICATION SPECIFICATION: GS-20-023
  5. PRODUCT MARKING (PRODUCT NUMBER & LOT CODE) ON THESE SURFACES.
  6. INDICATED HOLES ARE UNPLATED.
  7. "LF" SUFFIX DENOTES LEAD FREE PLATING.
  8. PRODUCT MEETS EUROPRAN UNION DIRECTIVES AND OTHER COUNTRY REGULATIONS AS DESCRIBED IN FCI SPECIFICATION GS-22-008.
  9. PACKAGING MEETS FCI SPECIFICATION GS-14-920.
  10. COPPER PLATING THICKNESS AT CENTER OF VIA HOLE CAN BE NO MORE THAN 0.003 LESS THAN OTHER AREAS.
  11. KEEPOUT AREA CORRESPOND TO MATING HEADER OUTLINE WITH 13.2MM HEIGHT ABOVE TOP SURFACE OF DAUGHTER CARD AND 4.60MM BELOW TOP SURFACE OF DAUGHTER CARD
  12. A  $\triangle$  SYMBOL WILL BE NEXT TO ANY DIMENSION, VIEW, OR NOTE WHICH HAS BEEN MODIFIED WITH THE CURRENT DRAWING REVISION

spec ref	GS-12-220	dr	Chen-Hong Tan	2005/08/03	projection	MM	size	A2	scale	5:1	
tolerance std	ASME Y14.5	eng	Suzie Nah	2013/12/25			ecn no	ELX-S-1650-1	rel level	Released	
	TOLERANCES UNLESS OTHERWISE SPECIFIED	chr		cat. no.							2 X 2 RECEPTACLE ASSEMBLY
		appr	Chen-Hong Tan	2014/01/14	product family	XXXXX	rel level		10025058	rev	K
surface	<input checked="" type="checkbox"/> linear										
	ASME Y14.5	angular	0°	±2°	www.fci.com						

Copyright FCI.