

FIGURE 4 - TOP PIN PLUNGER HEAD
OTHERWISE REFER TO
FIGURE 1

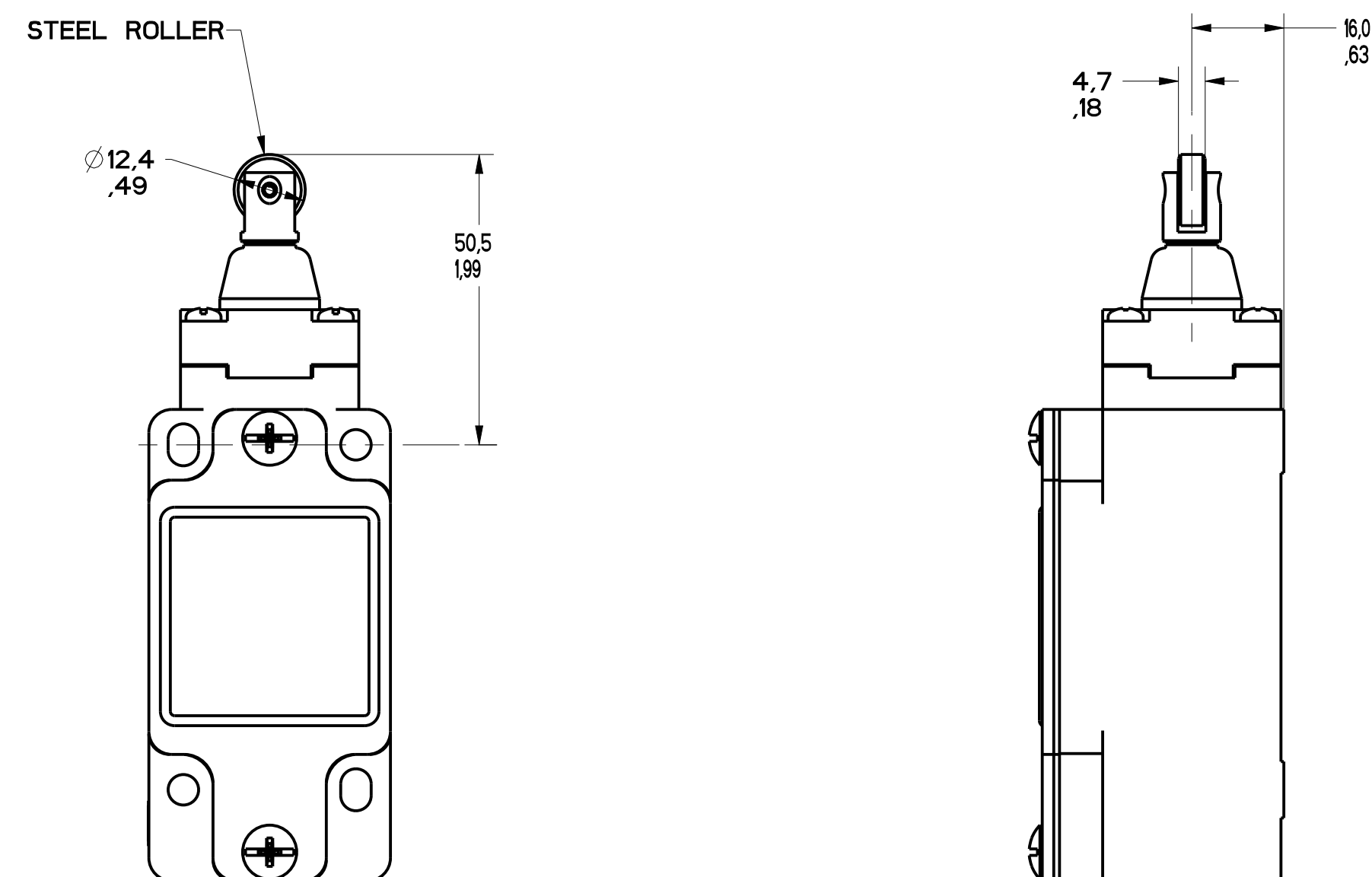


FIGURE 5 - TOP ROLLER PLUNGER HEAD
OTHERWISE REFER TO
FIGURE 1

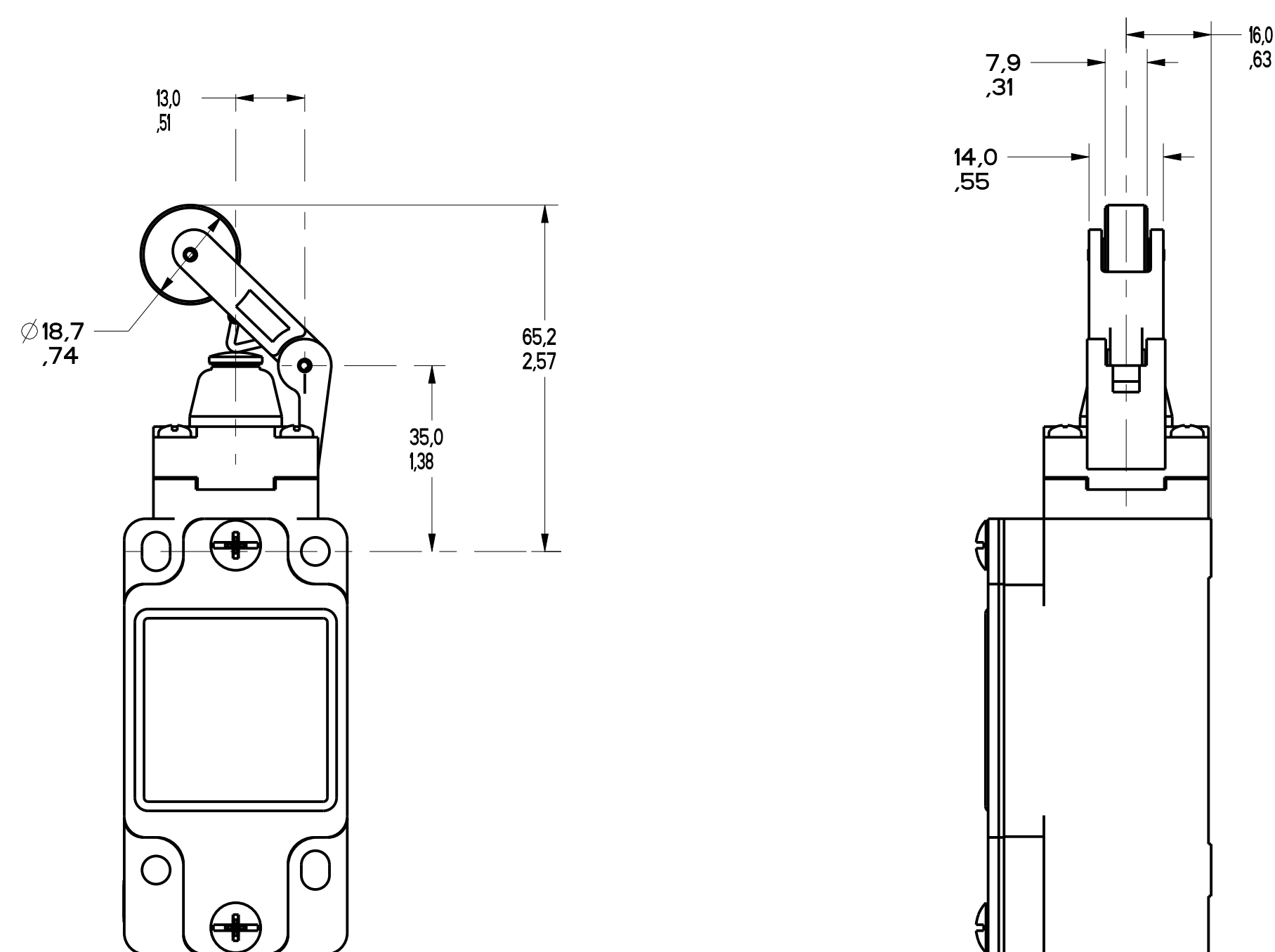


FIGURE 6 - TOP LEVER HEAD,
OTHERWISE REFER TO
FIGURE 1

MGL SERIES CHART 1
 DRAWING NUMBER: 2 OF 13
 RELEASE NO. PR-20782
 ISSUE: 16
 CHECK: CMH
 DATE: 05 OCT 10
 CHECK: CMH
 DATE: 26 AUG 93
 CHECK: G.H.
 DATE: 12 OCT 12
 P.T.C./CAD
 W.L.S.

REV	DATE	BY	CHKD	DESCRIPTION
1	000040	CMH	CMH	REVISED
2	000041	CMH	CMH	REVISED
3	000286	CMH	CMH	REVISED
4	002259	CMH	CMH	REVISED
5	003716	CMH	CMH	REVISED
6	004309	CMH	CMH	REVISED
7	004695	CMH	CMH	REVISED
8	004808	CMH	CMH	REVISED
9	004809	CMH	CMH	REVISED
10	004810	CMH	CMH	REVISED
11	004811	CMH	CMH	REVISED
12	004812	CMH	CMH	REVISED
13	004813	CMH	CMH	REVISED
14	004814	CMH	CMH	REVISED
15	004815	CMH	CMH	REVISED
16	004816	CMH	CMH	REVISED
17	004817	CMH	CMH	REVISED
18	004818	CMH	CMH	REVISED
19	004819	CMH	CMH	REVISED
20	004820	CMH	CMH	REVISED

THIS DRAWING COVERS A PROPRIETARY ITEM AND IS THE PROPERTY OF MICRO SWITCH, A DIVISION OF HONEYWELL. THIS DRAWING IS NOT TO BE COPIED OR USED WITHOUT THE APPROVAL OF MICRO SWITCH.		CATALOG LISTING	
FED. MFG. CODE 91929		MICRO SWITCH a Honeywell Division	
SWITCH, ENCLOSED		GL SERIES CHART 1	
DESIGN UNITS: <input checked="" type="checkbox"/> SI METRIC <input type="checkbox"/> US CUSTOMARY		TOLERANCES: DO NOT SCALE PRINT	
APPLY TO DESIGN UNITS. CONVERSIONS ARE ONLY FOR REFERENCE, UNLESS NOTED. TOLERANCES ARE:		DIM. TOL. DIM. TOL. NO. PLACES X .XX 1/100 X .XX 0.01/100 TWO PLACES X .XX 0.01/100 X .XX 0.01/100 THREE PLACES X .XXX 0.001/1000 X .XXX 0.001/1000 ANGLES ± 2°	
WEIGHT		THIRD ANGLE PROJECTION	

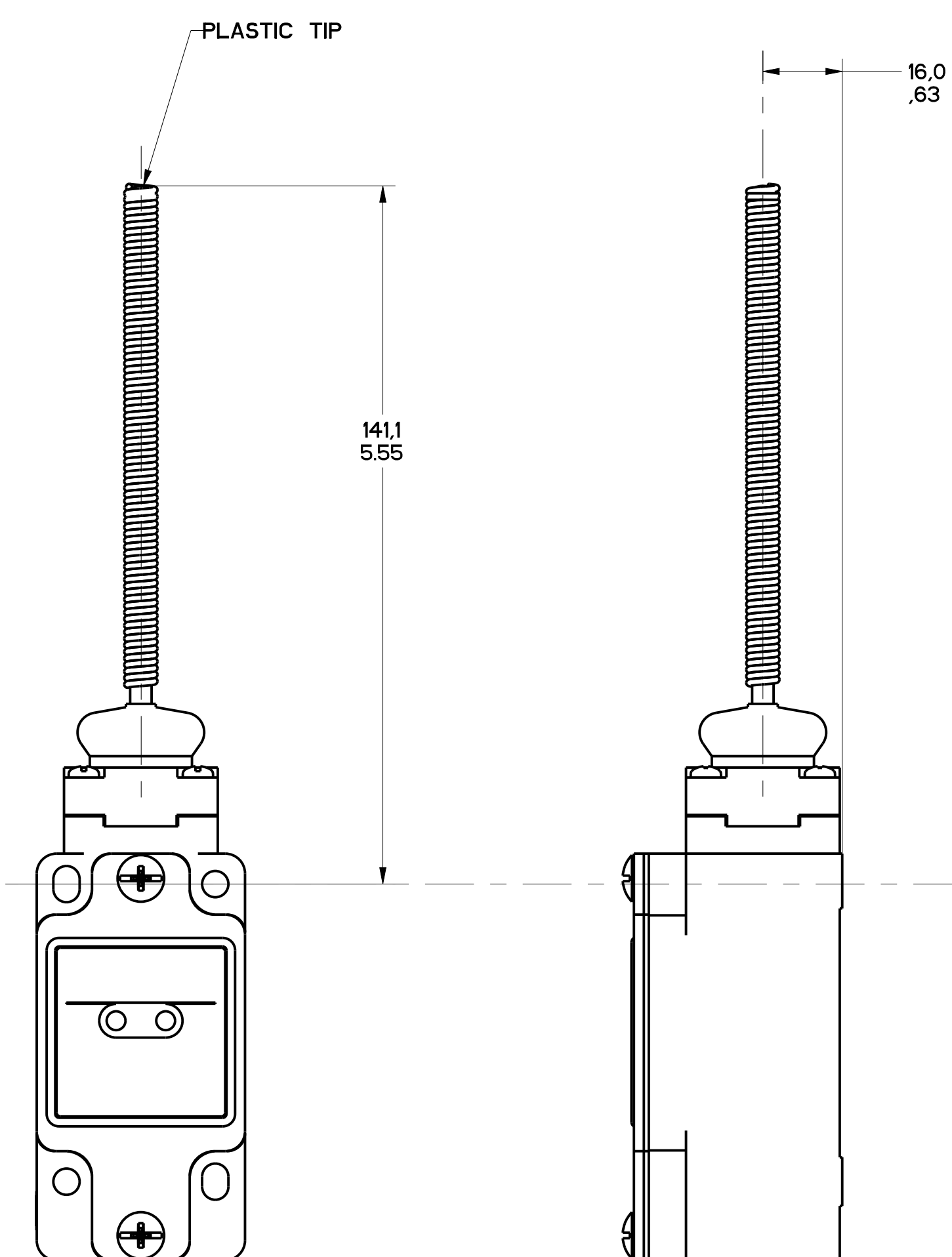


FIGURE 7 - WOBBLE HEAD, AND CAT WISKER HEAD COIL ACTUATOR, OTHERWISE REFER TO FIGURE 1

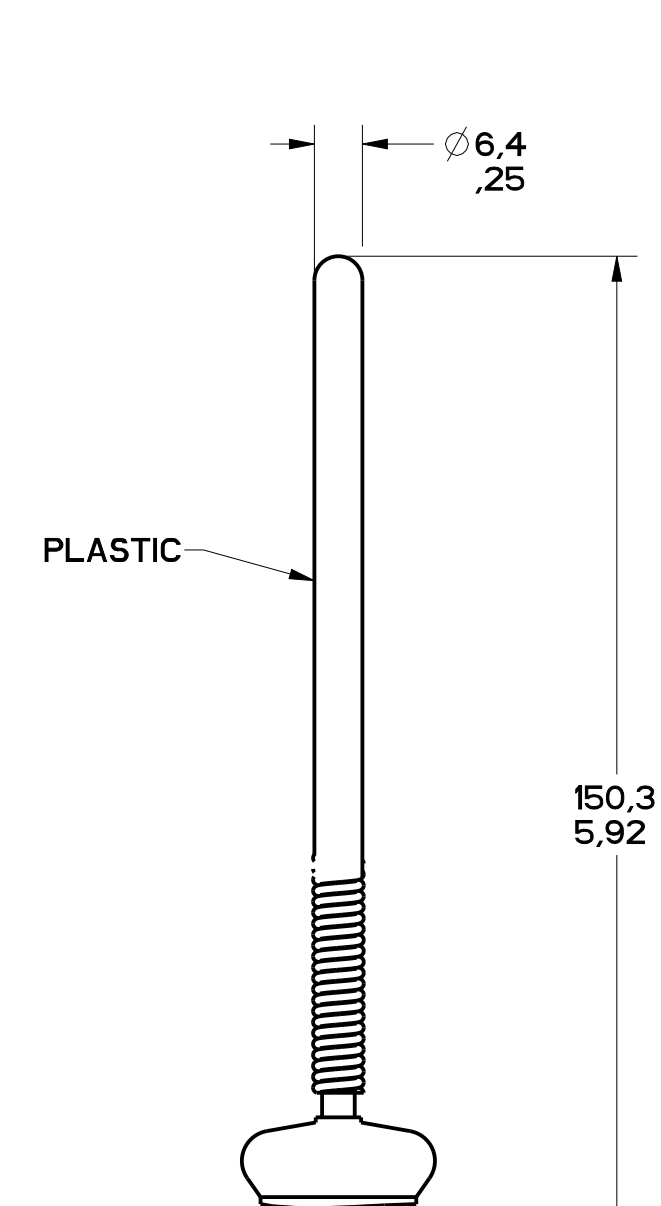


FIGURE 7A - WOBBLE HEAD, PLASTIC ACTUATOR, OTHERWISE SAME AS FIGURE 7

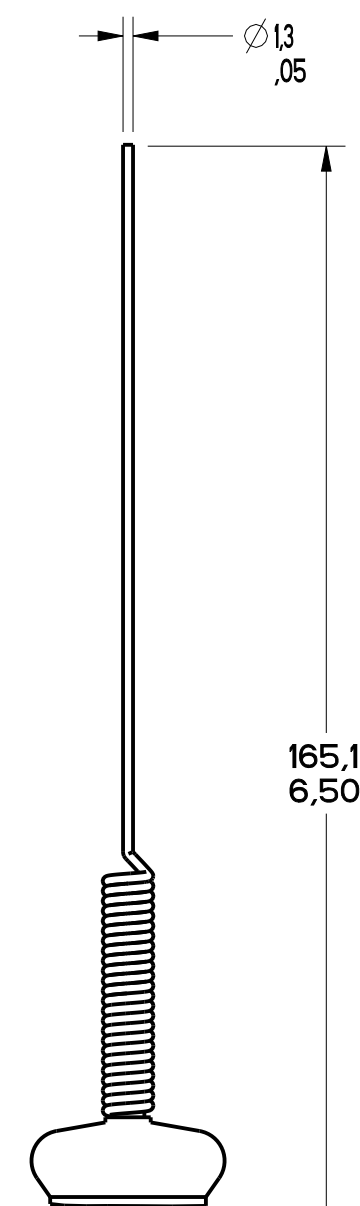


FIGURE 7B - WOBBLE HEAD, STAINLESS STEEL SPRING ACTUATOR, OTHERWISE SAME AS FIGURE 7

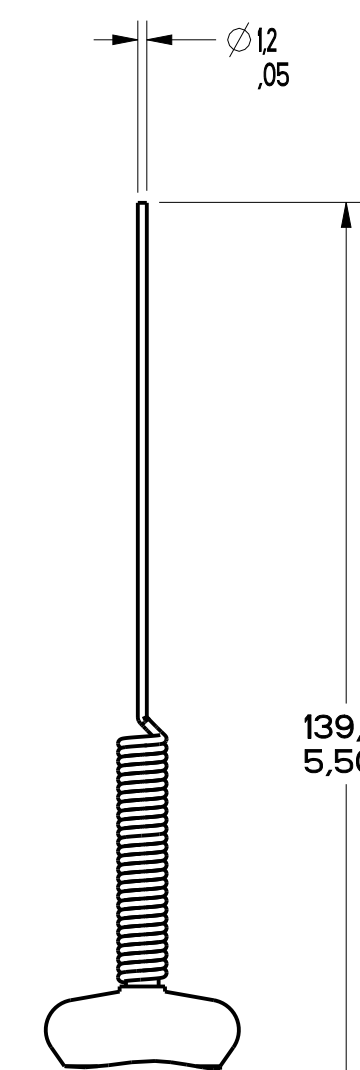


FIGURE 7C - CAT WHISKER ACTUATOR, STAINLESS STEEL SPRING, OTHERWISE SAME AS FIGURE 7

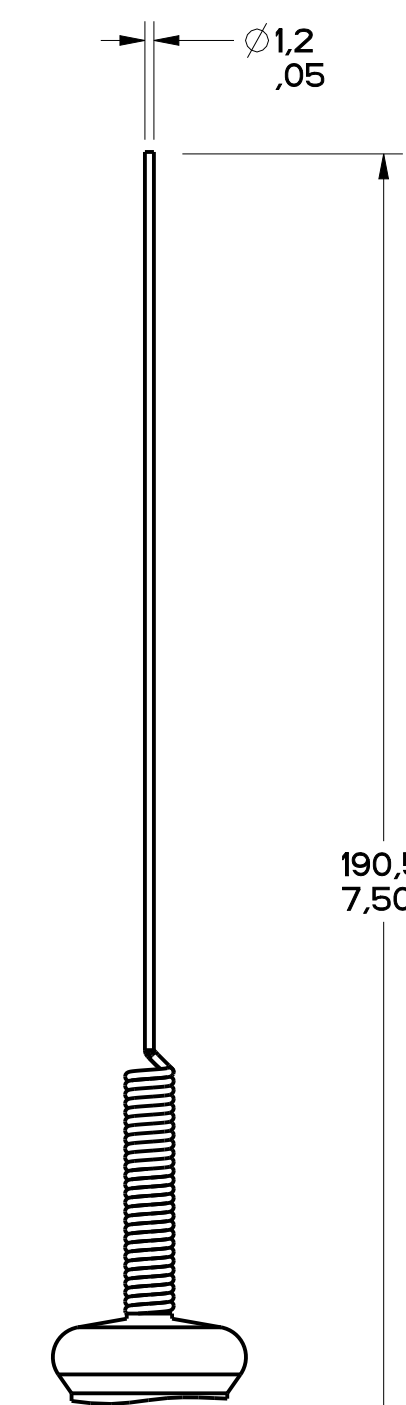


FIGURE 7D - CAT WHISKER ACTUATOR, STAINLESS STEEL SPRING, OTHERWISE SAME AS FIGURE 7

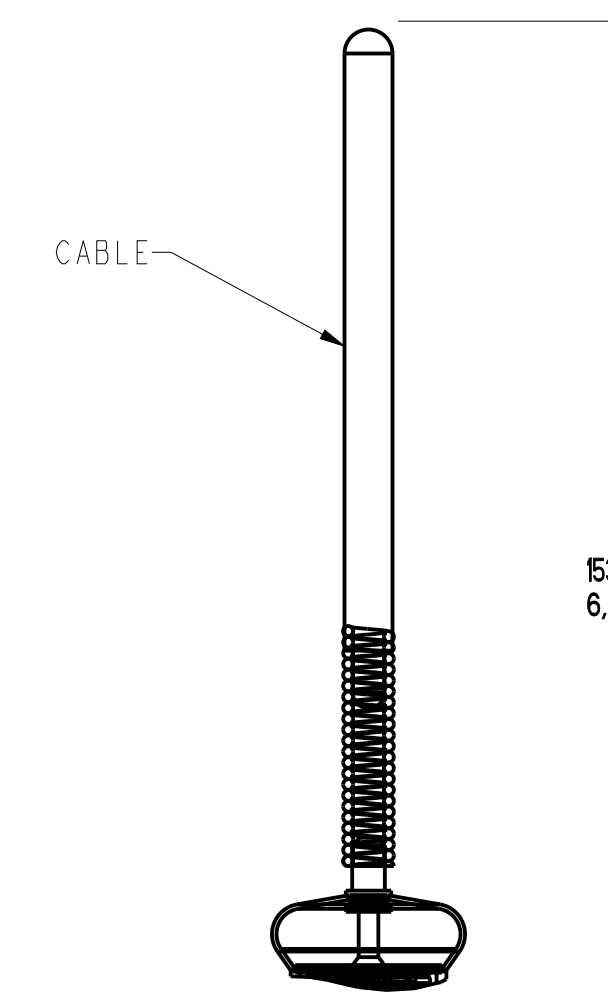


FIGURE 7E - CABLE WOBBLE ACTUATOR, OTHERWISE SAME AS FIGURE 7

DRAWING NUMBER: 16
 ISSUE: 3 OF 13
 RELEASE NO. PR-21557
 REPLACES: 1200112
 CHECK: CMH
 DATE: 20 JAN 04
 0023159
 07 AUG 06
 0037216
 08 FEB 08
 0043629
 05 FEB 08
 0048605
 007800
 0010059
 0004510
 1200112
 S. A. V. 7 MAY 96
 S. A. V. 7 MAY 96
 P.T.C./CAD
 S. A. V. 7 MAY 96

THIS DRAWING COVERS A PROPRIETARY ITEM AND IS THE PROPERTY OF MICRO SWITCH, A DIVISION OF HONEYWELL. THIS DRAWING IS NOT TO BE COPIED OR USED WITHOUT THE APPROVAL OF MICRO SWITCH. FED. MFG. CODE 91929		CATALOG LISTING	
MICRO SWITCH a Honeywell Division		SWITCH, ENCLOSED	
DESIGN UNITS: <input checked="" type="checkbox"/> SI METRIC <input type="checkbox"/> US CUSTOMARY		GL SERIES CHART 1	
TOLERANCES APPLY TO DESIGN UNITS. CONVERSIONS ARE ONLY FOR REFERENCE. UNLESS NOTED, TOLERANCES ARE:		THIRD ANGLE PROJECTION SCALE: 1:1 DO NOT SCALE PRINT	
NO PLACES	TOL.	NO PLACES	TOL.
ONE PLACE	±0.04	TWO PLACES	±0.01, ±0.02
TWO PLACES	±0.01, ±0.02	THREE PLACES	±0.001, ±0.002, ±0.005
THREE PLACES	±0.001, ±0.002, ±0.005	ANGLES	±2°
WEIGHT		WEIGHT	

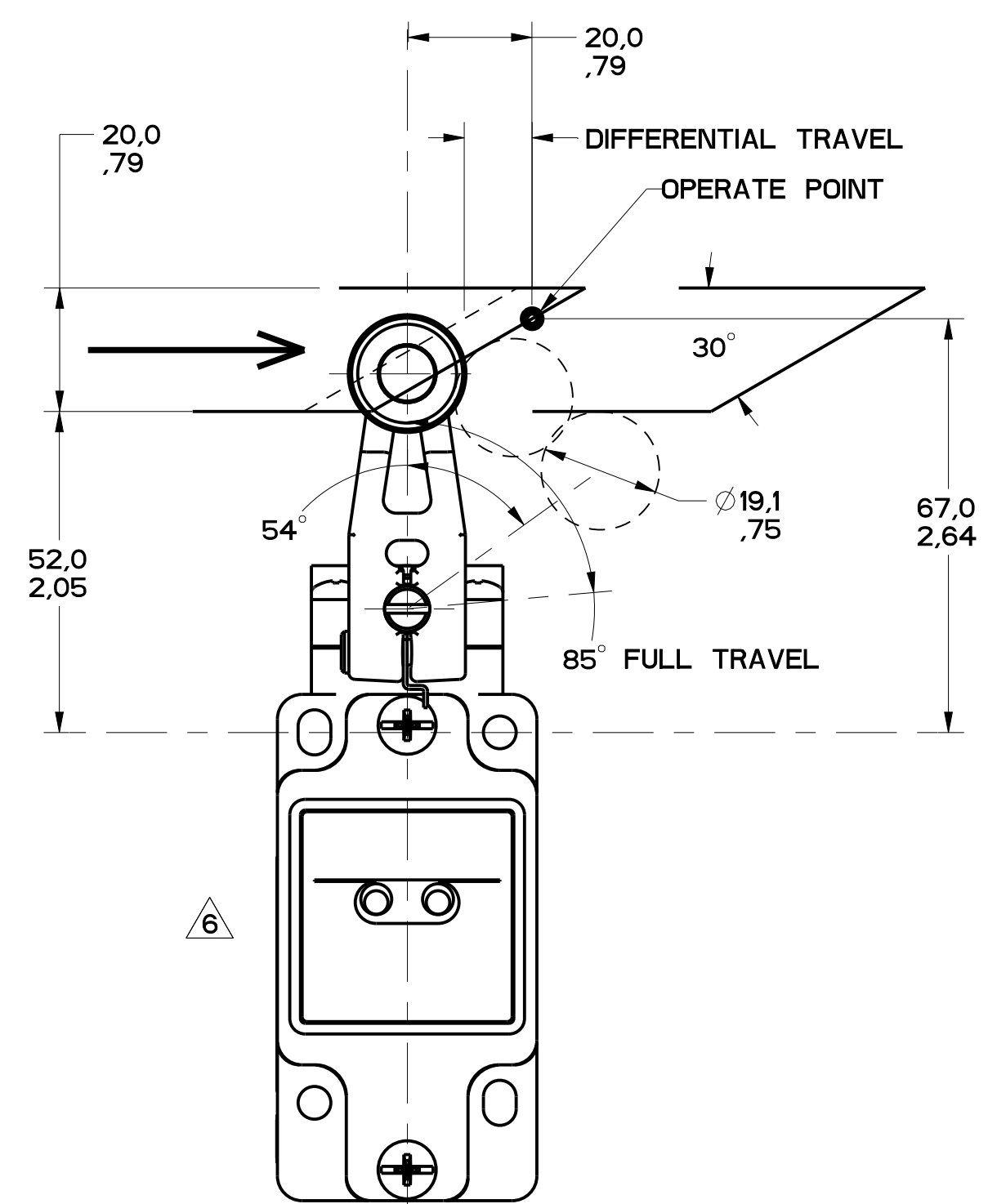


FIGURE 8

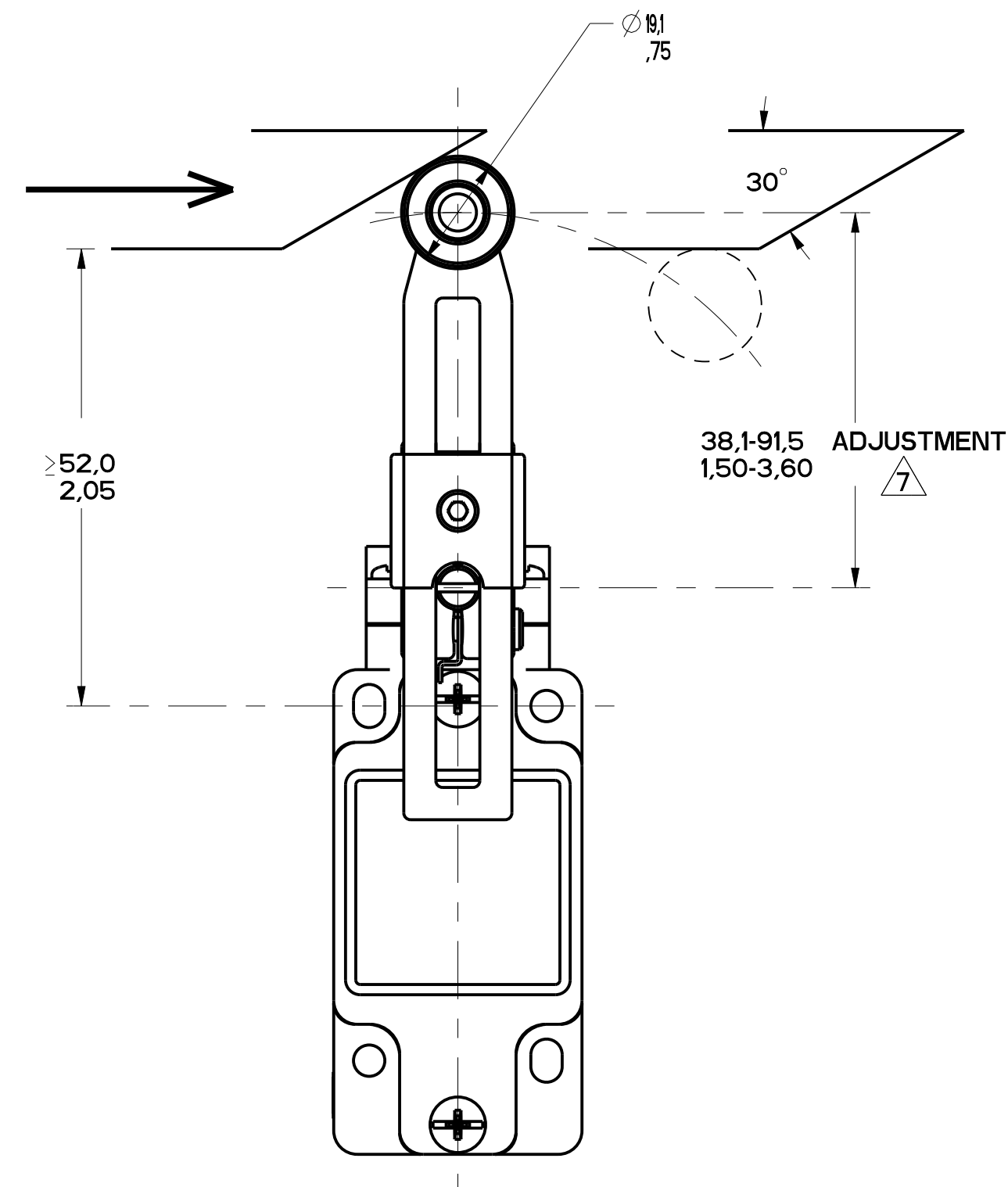


FIGURE 9

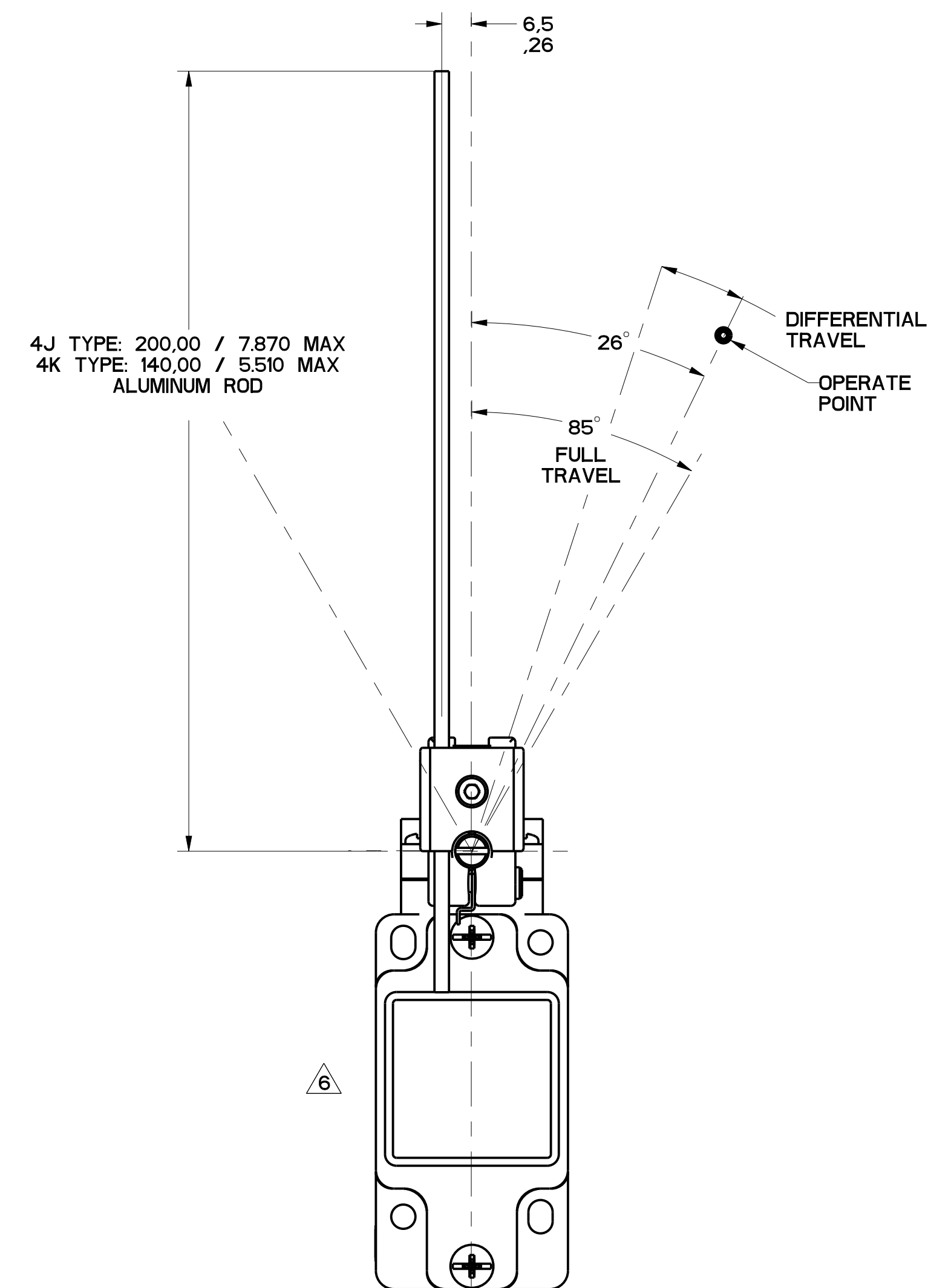


FIGURE 10

MGL SERIES CHART 1
 DRAWING NUMBER: 4 OF 13
 ISSUE: 16
 P.T.C./CAD
 S.A.V. 2/MAR/66
 D.M. 07AUG/66
 S. 08 FEB/69
 M. 07/30/59
 ON 03/01/10
 N. 08/05/10
 S. 08/12/12

DESIGNER	PTC/CAD
CHECKER	D.M. 07AUG/66
APPROVER	S. 08 FEB/69
DATE	07/30/59
REV	03/01/10
REV	08/05/10
REV	08/12/12

THIS DRAWING COVERS A PROPRIETARY ITEM AND IS THE PROPERTY OF MICRO SWITCH, A DIVISION OF HONEYWELL. THIS DRAWING IS NOT TO BE COPIED OR USED WITHOUT THE APPROVAL OF MICRO SWITCH.		FEDERAL MFG. CODE 91929		CATALOG LISTING	
MICRO SWITCH a Honeywell Division		SWITCH, ENCLOSED		GL SERIES CHART 1	
DESIGN UNITS: <input checked="" type="checkbox"/> SI METRIC <input type="checkbox"/> US CUSTOMARY		TOLERANCES: DO NOT SCALE PRINT APPLY TO DESIGN UNITS. CONVERSIONS ARE ONLY FOR REFERENCE, UNLESS NOTED. TOLERANCES ARE:		DIM. TOL. DIM. TOL. NO. PLACES X .04 .12 .04 X .1 0.81, .05 ONE PLACE X .1 0.41, .04 X .1X 0.30, .05 TWO PLACES X .1X 0.15, .008 X .1X 0.13, .05 THREE PLACES X .1X ±.2	
WEIGHT		THIRD ANGLE PROJECTION			

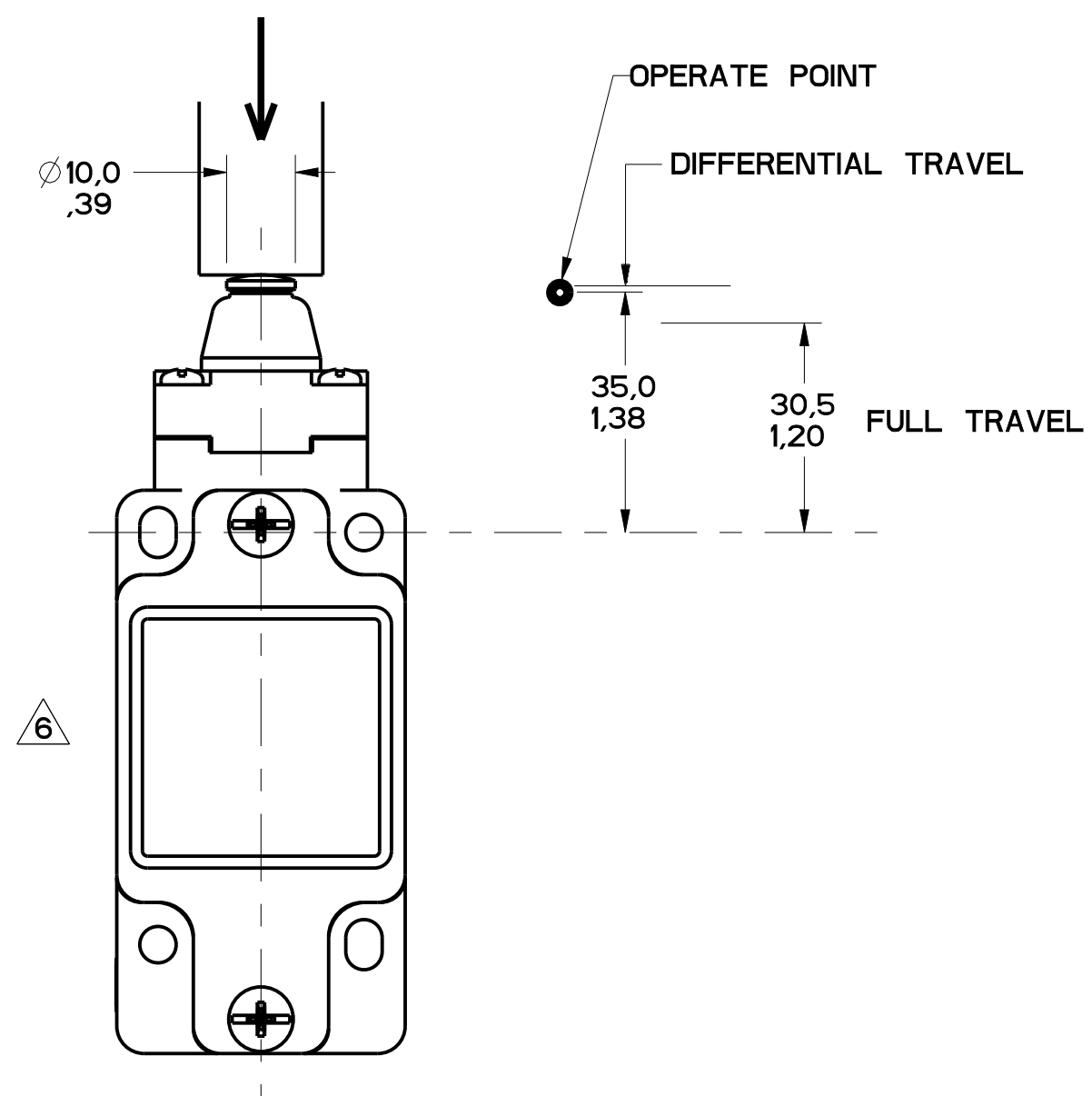


FIGURE 11

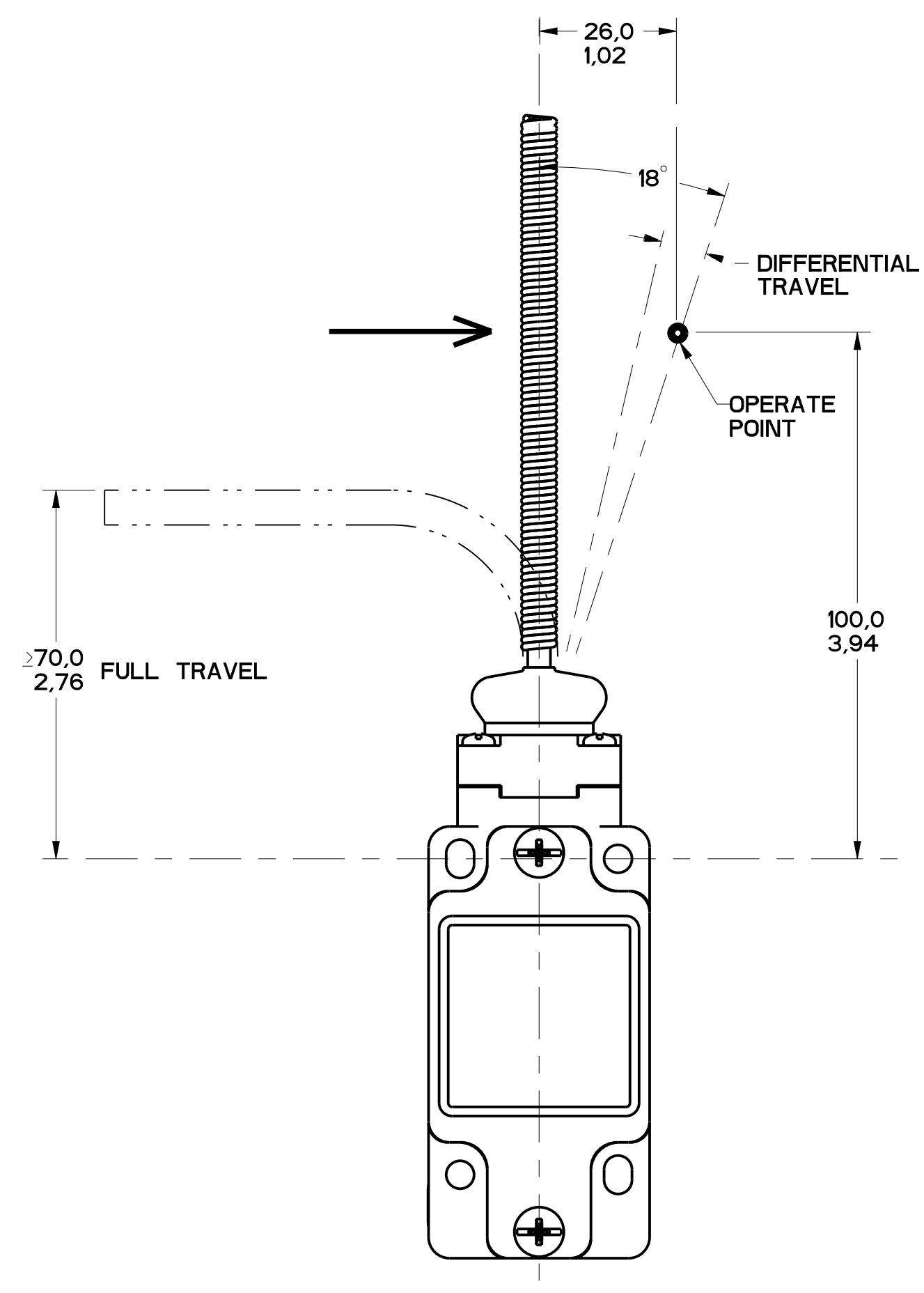


FIGURE 12

MGL SERIES CHART 1
 DRAWING NUMBER: 6 OF 13
 RELEASE NO. PR-20782
 PAGES: 16
 ISSUE: CMH
 CHECK: CMH
 DATE: 05 OCT 10
 CHECK: CMH
 DATE: 20 JAN 84
 HONOLULU: 0223759
 HONOLULU: 0746586
 HONOLULU: 0337216
 HONOLULU: 0443629
 HONOLULU: 0557108
 HONOLULU: 0448605
 HONOLULU: 0077809
 HONOLULU: 0075058
 HONOLULU: 0001110
 HONOLULU: 0094570
 HONOLULU: 1206112
 P.T.C./CAD: 3D
 DRAWN: W.L.S.
 CHECK: G.H.
 DATE: 26 AUG 93

THIS DRAWING COVERS A PROPRIETARY ITEM AND IS THE PROPERTY OF MICRO SWITCH, A DIVISION OF HONEYWELL. THIS DRAWING IS NOT TO BE COPIED OR USED WITHOUT THE APPROVAL OF MICRO SWITCH.		FEDERAL MANUFACTURING CODE 91929		CATALOG LISTING	
MICRO SWITCH a Honeywell Division		SWITCH, ENCLOSED		GL SERIES CHART 1	
DESIGN UNITS: <input checked="" type="checkbox"/> SI METRIC <input type="checkbox"/> US CUSTOMARY		TOLERANCES: <input type="checkbox"/> ±Z <input type="checkbox"/> ±Z		TOLERANCES: DO NOT SCALE PRINT	
WEIGHT:		TOLERANCES: APPLY TO DESIGN UNITS. CONCESSIONS ARE ONLY FOR REFERENCE, UNLESS NOTED. TOLERANCES ARE:		THIRD ANGLE PROJECTION	
NO PLACES	X	1/2	0.01	0.01	0.01
ONE PLACE	X, XX	0.01	0.01	0.01	0.01
TWO PLACES	X, XX	0.01	0.01	0.01	0.01
THREE PLACES	X, XX	0.01	0.01	0.01	0.01
ANGLES					

FIGURES 11, PIN PLUNGER HEAD, LINEAR ACTUATION

CATALOG LISTING	CONTACT BLOCK DIAGRAM	NOMINAL TRAVELS AND RELATED TERMINALS ■ CONTACT CLOSED, □ CONTACT OPEN, ▨ CONTACT CLOSED DIFFERENTIAL TRAVEL, ** POSITIVE OPENING TO IEC 947-5-1	MAXIMUM OPERATING FORCE $\frac{N}{LB}$	MAXIMUM DISCONNECT FORCE $\frac{N}{LB}$	MAX OPERATE VEL $\frac{M}{S}$ $\frac{IN}{S}$	MIN OPERATE VEL $\frac{MM}{S}$ $\frac{IN}{S}$	MAX OPERATE FREQUENCY OPS/MIN
GL**01B GL**07B	SNAP - ACTION CONTACTS SINGLE POLE 	 37.5 35 33** 30.5 21-22 13-14 0.9 DIFFERENTIAL TRAVEL	$\frac{16}{3.6}$	$\frac{27}{6.0}$	$\frac{0.1}{3.9}$	$\frac{1.0}{.04}$	250
GL**03B GL**33B	SLOW ACTING BREAK BEFORE MAKE 	 37.5 35** 30.5 21-22 13-14 34	$\frac{16}{3.6}$	$\frac{27}{6.0}$	$\frac{0.1}{3.9}$	$\frac{1.0}{.04}$	250
GL**04B GL**34B	SLOW ACTING MAKE BEFORE BREAK 	 37.5 34** 30.5 21-22 13-14 35	$\frac{16}{3.6}$	$\frac{27}{6.0}$	$\frac{0.1}{3.9}$	$\frac{1.0}{.04}$	250
GL**05B GL**35B	SLOW ACTING 	 37.5 34 30.5 13-14 23-24	$\frac{16}{3.6}$	$\frac{27}{6.0}$	$\frac{0.1}{3.9}$	$\frac{1.0}{.04}$	250
GL**06B GL**36B	SLOW ACTING 	 37.5 35** 30.5 11-12 21-22 34	$\frac{16}{3.6}$	$\frac{27}{6.0}$	$\frac{0.1}{3.9}$	$\frac{1.0}{.04}$	250
GL**20B GL**22B GL**24B GL**32B	SNAP ACTION CONTACTS DOUBLE POLE 	 37.5 35 33** 30.5 11-12, 21-22 13-14, 23-24 0.9 DIFFERENTIAL TRAVEL	$\frac{16}{3.6}$	$\frac{37}{8.2}$	$\frac{0.1}{3.9}$	$\frac{1.0}{.04}$	250
GL**21B GL**25B GL**28B GL**31B	STEP 1 STEP 2 SNAP ACTION CONTACTS DOUBLE POLE SEQUENTIAL 	 37.5 35 33.8 30.5 11-12 13-14 21-22 23-24 .8 DIFFERENTIAL TRAVEL	$\frac{16}{3.6}$	N/A	$\frac{0.1}{3.9}$	$\frac{1.0}{.04}$	250

FIGURE 12, WOBBLE HEAD, ANGULAR ACTUATION

CATALOG LISTING	CONTACT BLOCK DIAGRAM	NOMINAL TRAVELS AND RELATED TERMINALS ■ CONTACT CLOSED, □ CONTACT OPEN, ▨ CONTACT CLOSED DIFFERENTIAL TRAVEL, ** POSITIVE OPENING TO IEC 947-5-1	MAXIMUM OPERATING TORQUE $\frac{N\cdot m}{LB\cdot IN}$	MAXIMUM DISCONNECT TORQUE $\frac{N\cdot m}{LB\cdot IN}$	MAX OPERATE DEGREE/S	MIN OPERATE VELOCITY DEGREE/S	MAX OPERATE RATE CYCLES/MIN
GL**01E GL**07E	SNAP - ACTION CONTACTS SINGLE POLE 	 21-22 13-14 18° 8° DIFFERENTIAL TRAVEL	$\frac{0.2}{1.8}$	N/A	360	8	100
GL**03E GL**33E	SLOW ACTING BREAK BEFORE MAKE 	 21-22 13-14 0° 18° 25° 35°	$\frac{0.2}{1.8}$	N/A	360	8	100
GL**04E GL**34E	SLOW ACTING MAKE BEFORE BREAK 	 21-22 13-14 0° 18° 25° 35°	$\frac{0.2}{1.8}$	N/A	360	8	100
GL**05E GL**35E	SLOW ACTING 	 13-14 23-24 0° 25° 35°	$\frac{0.2}{1.8}$	N/A	360	8	100
GL**06E GL**36E	SLOW ACTING 	 11-12 21-22 0° 18° 35°	$\frac{0.2}{1.8}$	N/A	360	8	100
GL**20E GL**22E GL**24E GL**32E	SNAP ACTION CONTACTS DOUBLE POLE 	 11-12, 21-22 13-14, 23-24 18° 8° DIFFERENTIAL TRAVEL	$\frac{0.2}{1.8}$	N/A	360	8	100

FIGURE 12, WOBBLE HEAD, SIDE ACTUATION AT 100mm

CATALOG LISTING	CONTACT BLOCK DIAGRAM	NOMINAL TRAVELS AND RELATED TERMINALS ■ CONTACT CLOSED, □ CONTACT OPEN, ▨ CONTACT CLOSED DIFFERENTIAL TRAVEL, ** POSITIVE OPENING TO IEC 947-5-1	MAXIMUM OPERATING FORCE $\frac{N}{LB}$	MAXIMUM DISCONNECT FORCE $\frac{N}{LB}$	MAX OPERATE VEL $\frac{M}{S}$ $\frac{IN}{S}$	MIN OPERATE VEL $\frac{MM}{S}$ $\frac{IN}{S}$	MAX OPERATE FREQUENCY OPS/MIN
GL**01E GL**07E	SNAP - ACTION CONTACTS SINGLE POLE 	 21-22 13-14 26 12 DIFFERENTIAL TRAVEL	$\frac{2.5}{0.6}$	N/A	$\frac{.5}{19.7}$	$\frac{11}{.43}$	100
GL**03E GL**33E	SLOW ACTING BREAK BEFORE MAKE 	 21-22 13-14 26.5 38.1	$\frac{2.5}{0.6}$	N/A	$\frac{.5}{19.7}$	$\frac{11}{.43}$	100
GL**04E GL**34E	SLOW ACTING MAKE BEFORE BREAK 	 21-22 13-14 26.5 38.1	$\frac{2.5}{0.6}$	N/A	$\frac{.5}{19.7}$	$\frac{11}{.43}$	100
GL**05E GL**35E	SLOW ACTING 	 13-14 23-24 38.1	$\frac{2.5}{0.6}$	N/A	$\frac{.5}{19.7}$	$\frac{11}{.43}$	100
GL**06E GL**36E	SLOW ACTING 	 11-12 21-22 26.5	$\frac{2.5}{0.6}$	N/A	$\frac{.5}{19.7}$	$\frac{11}{.43}$	100
GL**20E GL**22E GL**24E GL**32E	SNAP ACTION CONTACTS DOUBLE POLE 	 11-12, 21-22 13-14, 23-24 26	$\frac{2.5}{0.6}$	N/A	360	8	100

THIRD ANGLE PROJECTION

SCALE -

DO NOT SCALE PRINT

TOLERANCES

APPLY TO DESIGN UNITS. CONVERSIONS ARE ONLY FOR REFERENCE. UNLESS NOTED, TOLERANCES ARE:

NO PLACES	2X	12.04	1.1	0.01/0.5
TWO PLACES	1X	0.127/0.06	0.13/0.06	0.38/0.05
THREE PLACES	1X	0.127/0.06	0.13/0.06	0.38/0.05

ANGLES ± 2°

DESIGN UNITS SI METRIC US CUSTOMARY

WEIGHT

THIS DRAWING COVERS A PROPRIETARY ITEM AND IS THE PROPERTY OF MICRO SWITCH, A DIVISION OF HONEYWELL. THIS DRAWING IS NOT TO BE COPIED OR USED WITHOUT THE APPROVAL OF MICRO SWITCH.

FED. MFG. CODE 91929
MICRO SWITCH
a Honeywell Division

SWITCH, ENCLOSED

CATALOG LISTING
GL SERIES CHART 1

MGL SERIES CHART 1
 DRAWING NUMBER: 7 OF 13
 RELEASE NO. PR-201782
 CHECK: CMH
 DATE: 05 OCT 10
 CHECK: CMH
 DATE: 26 AUG 93
 PTC/CAD
 DRAWN: W.L.S.
 DATE: 20 AUG 93
 CHECK: G.H.
 DATE: 12 OCT 12

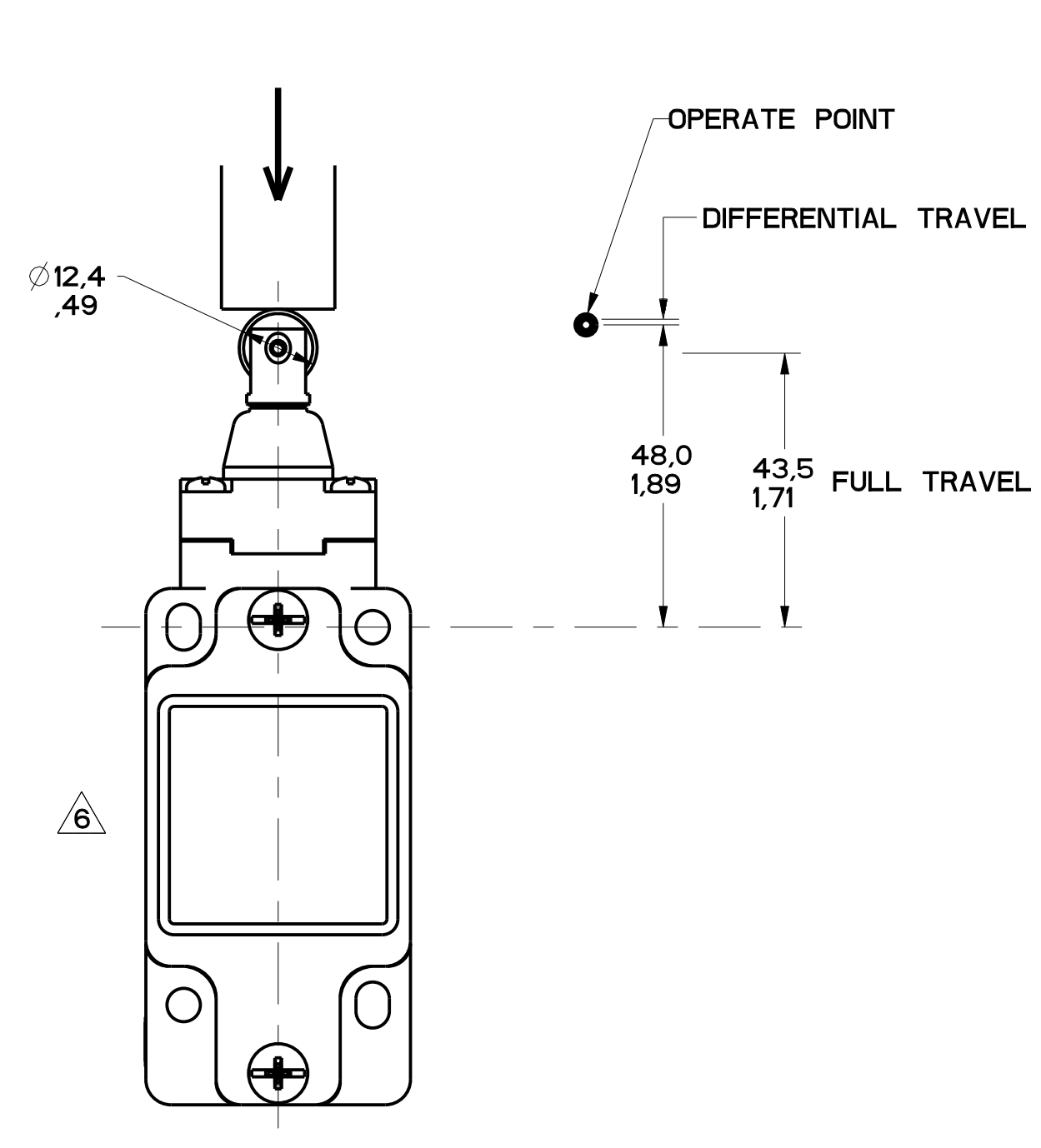


FIGURE 13A

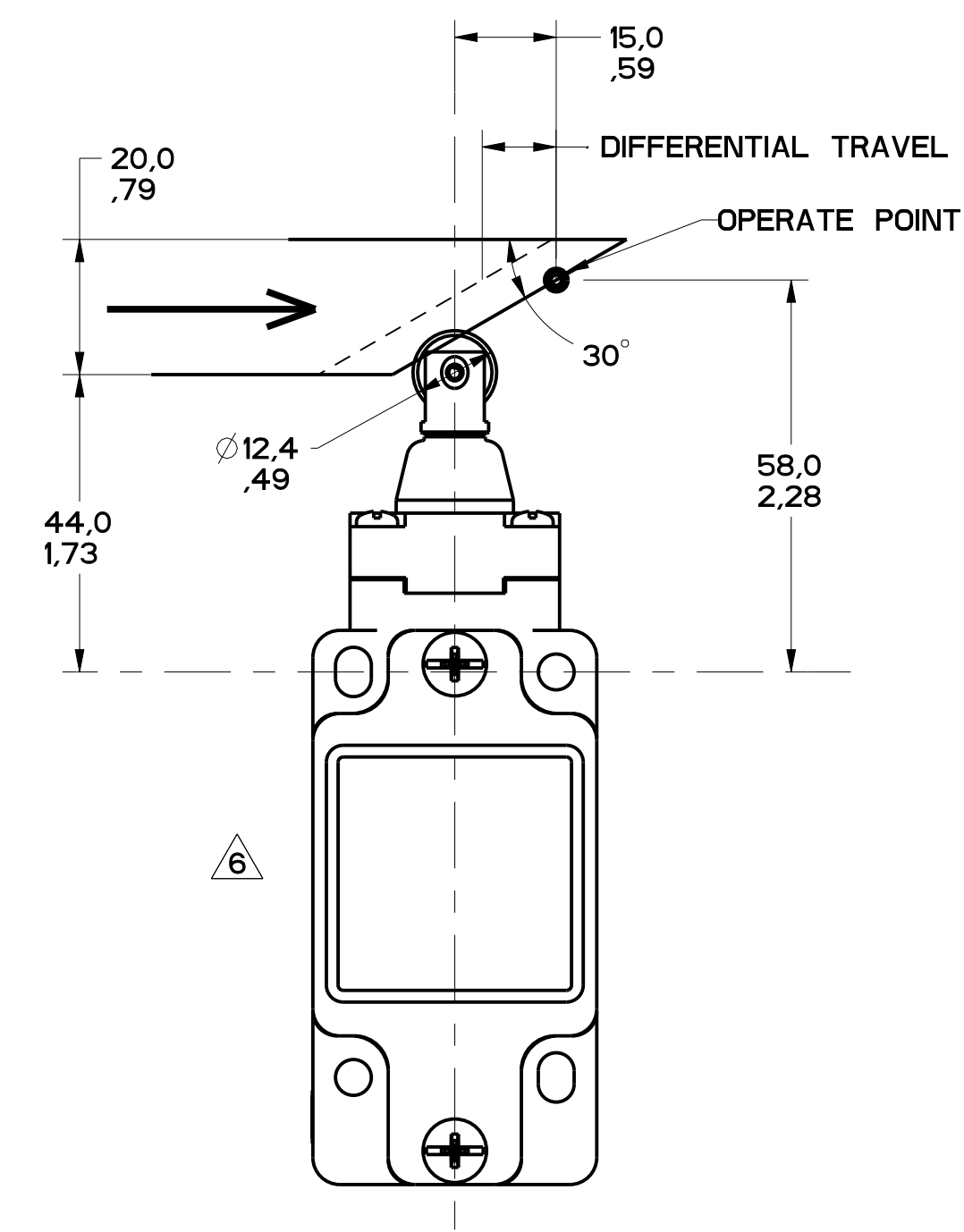


FIGURE 13B

MGL SERIES CHART 1
 DRAWING NUMBER: 8 OF 13
 RELEASE NO. PR-20782
 ISSUE: 16
 CHECK: CMH
 DATE: 20 APR 83
 P.T.C./CAD
 W.L.S. 20 APR 83
 CHECK: G.H.
 DATE: 20 APR 83

REV	DESCRIPTION	DATE
1	0005041	01 JUN 83
2	0007986	20 JAN 84
3	0023759	07 AUG 86
4	0037216	01 FEB 88
5	0043629	05 FEB 88
6	0048605	07 FEB 89
7	0078000	07 FEB 89
8	0078059	07 FEB 89
9	0081116	07 FEB 89
10	0084510	07 FEB 89

THIS DRAWING COVERS A PROPRIETARY ITEM AND IS THE PROPERTY OF MICRO SWITCH, A DIVISION OF HONEYWELL. THIS DRAWING IS NOT TO BE COPIED OR USED WITHOUT THE APPROVAL OF MICRO SWITCH. FED. MFG. CODE 91929		CATALOG LISTING	
MICRO SWITCH a Honeywell Division		SWITCH, ENCLOSED	
DESIGN UNITS: <input checked="" type="checkbox"/> SI METRIC <input type="checkbox"/> US CUSTOMARY		GL SERIES CHART 1	
TOLERANCES APPLY TO DESIGN UNITS. CONCESSIONS ARE ONLY FOR REFERENCE, UNLESS NOTED. TOLERANCES ARE:		THIRD ANGLE PROJECTION DO NOT SCALE PRINT	
NO PLACES	1X	±.04	±.0015
ONE PLACE	1X	±.02	±.0015
TWO PLACES	1X	±.01	±.0015
THREE PLACES	1X	±.005	±.0015
ANGLES	±.2°		
WEIGHT			

FIGURE 13A, ROLLER PLUNGER HEAD, PIN ACTUATION

CATALOG LISTING	CONTACT BLOCK DIAGRAM	NOMINAL TRAVELS AND RELATED TERMINALS ■ CONTACT CLOSED, □ CONTACT OPEN, ▨ CONTACT CLOSED DIFFERENTIAL TRAVEL, ** POSITIVE OPENING TO IEC 947-5-1	MAXIMUM OPERATING FORCE $\frac{N}{LB}$	MAXIMUM DISCONNECT FORCE $\frac{N}{LB}$	MAX OPERATE VEL $\frac{M}{S}$ $\frac{IN}{S}$	MIN OPERATE VEL $\frac{MM}{S}$ $\frac{IN}{S}$	MAX OPERATE FREQUENCY OPS/MIN
GL**01C GL**07C	SNAP - ACTION CONTACTS SINGLE POLE 		$\frac{16}{3.6}$	$\frac{27}{6.0}$	$\frac{0.1}{3.9}$	$\frac{1.0}{.04}$	250
GL**03C GL**33C	SLOW ACTING BREAK BEFORE MAKE 		$\frac{16}{3.6}$	$\frac{27}{6.0}$	$\frac{0.1}{3.9}$	$\frac{1.0}{.04}$	250
GL**04C GL**34C	SLOW ACTING MAKE BEFORE BREAK 		$\frac{16}{3.6}$	$\frac{27}{6.0}$	$\frac{0.1}{3.9}$	$\frac{1.0}{.04}$	250
GL**05C GL**35C	SLOW ACTING 		$\frac{16}{3.6}$	$\frac{27}{6.0}$	$\frac{0.1}{3.9}$	$\frac{1.0}{.04}$	250
GL**06C GL**36C	SLOW ACTING 		$\frac{16}{3.6}$	$\frac{27}{6.0}$	$\frac{0.1}{3.9}$	$\frac{1.0}{.04}$	250
GL**20C GL**22C GL**24C GL**32C	SNAP ACTION CONTACTS DOUBLE POLE 		$\frac{16}{3.6}$	$\frac{37}{8.2}$	$\frac{0.1}{3.9}$	$\frac{1.0}{.04}$	250
GL**21C GL**25C GL**28C GL**31C	STEP 1 STEP 2 SNAP ACTION CONTACTS DOUBLE POLE SEQUENTIAL 		$\frac{16}{3.6}$	N/A	$\frac{0.1}{3.9}$	$\frac{1.0}{.04}$	250

FIGURE 13B, TOP ROLLER PLUNGER HEAD, CAM ACTUATION PER EN50041

CATALOG LISTING	CONTACT BLOCK DIAGRAM	NOMINAL TRAVELS AND RELATED TERMINALS ■ CONTACT CLOSED, □ CONTACT OPEN, ▨ CONTACT CLOSED DIFFERENTIAL TRAVEL, ** POSITIVE OPENING TO IEC 947-5-1	MAXIMUM OPERATING FORCE $\frac{N}{LB}$	MAXIMUM DISCONNECT FORCE $\frac{N}{LB}$	MAX OPERATE VEL $\frac{M}{S}$ $\frac{IN}{S}$	MIN OPERATE VEL $\frac{MM}{S}$ $\frac{IN}{S}$	MAX OPERATE FREQUENCY OPS/MIN
GL**01C GL**07C	SNAP - ACTION CONTACTS SINGLE POLE 		$\frac{9.3}{2.1}$	$\frac{15.6}{3.5}$	$\frac{0.17}{6.7}$	$\frac{1.7}{.067}$	250
GL**03C GL**33C	SLOW ACTING BREAK BEFORE MAKE 		$\frac{9.3}{2.1}$	$\frac{15.6}{3.5}$	$\frac{0.17}{6.7}$	$\frac{1.7}{.067}$	250
GL**04C GL**34C	SLOW ACTING MAKE BEFORE BREAK 		$\frac{9.3}{2.1}$	$\frac{15.6}{3.5}$	$\frac{0.17}{6.7}$	$\frac{1.7}{.067}$	250
GL**05C GL**35C	SLOW ACTING 		$\frac{9.3}{2.1}$	$\frac{15.6}{3.5}$	$\frac{0.17}{6.7}$	$\frac{1.7}{.067}$	250
GL**06C GL**36C	SLOW ACTING 		$\frac{9.3}{2.1}$	$\frac{15.6}{3.5}$	$\frac{0.17}{6.7}$	$\frac{1.7}{.067}$	250
GL**20C GL**22C GL**24C GL**32C	SNAP ACTION CONTACTS DOUBLE POLE 		$\frac{9.3}{2.1}$	$\frac{21.4}{4.8}$	$\frac{0.17}{6.7}$	$\frac{1.7}{.067}$	250
GL**21C GL**25C GL**28C GL**31C	STEP 1 STEP 2 SNAP ACTION CONTACTS DOUBLE POLE SEQUENTIAL 		$\frac{9.3}{2.1}$	N/A	$\frac{0.17}{6.7}$	$\frac{1.7}{.067}$	250

MGL SERIES CHART 1
 DRAWING NUMBER: 9 OF 13
 RELEASE NO. PR-20782
 DATE: 05 OCT 12
 CHECK: CMH
 PTC/CAD: W.L.S. 05 MAR 01
 CHECK: SAV
 DATE: 12 OCT 12
 ISSUE: 16
 REVISIONS:
 1 0000491
 2 UN03
 3 0007886
 4 0045884
 5 0023759
 6 0046086
 7 0037216
 8 0018688
 9 0043629
 10 00108
 11 0048605
 12 007880
 13 0078058
 14 000110
 15 0094578
 16 000112

THIRD ANGLE PROJECTION

SCALE: -

DO NOT SCALE PRINT

TOLERANCES
 APPLY TO DESIGN UNITS. CONVERSIONS ARE ONLY FOR REFERENCE. UNLESS NOTED, TOLERANCES ARE:

NO. PLACES	FR.	IN.	NO. PLACES	FR.	IN.
TWO PLACES	X	0.01	TWO PLACES	X	0.0005
THREE PLACES	X	0.001	THREE PLACES	X	0.0001

DESIGN UNITS: SI METRIC US CUSTOMARY

WEIGHT

THIS DRAWING COVERS A PROPRIETARY ITEM AND IS THE PROPERTY OF MICRO SWITCH, A DIVISION OF HONEYWELL. THIS DRAWING IS NOT TO BE COPIED OR USED WITHOUT THE APPROVAL OF MICRO SWITCH.

FED. MFG. CODE 91929

MICRO SWITCH
a Honeywell Division

SWITCH, ENCLOSED

CATALOG LISTING
GL SERIES CHART 1

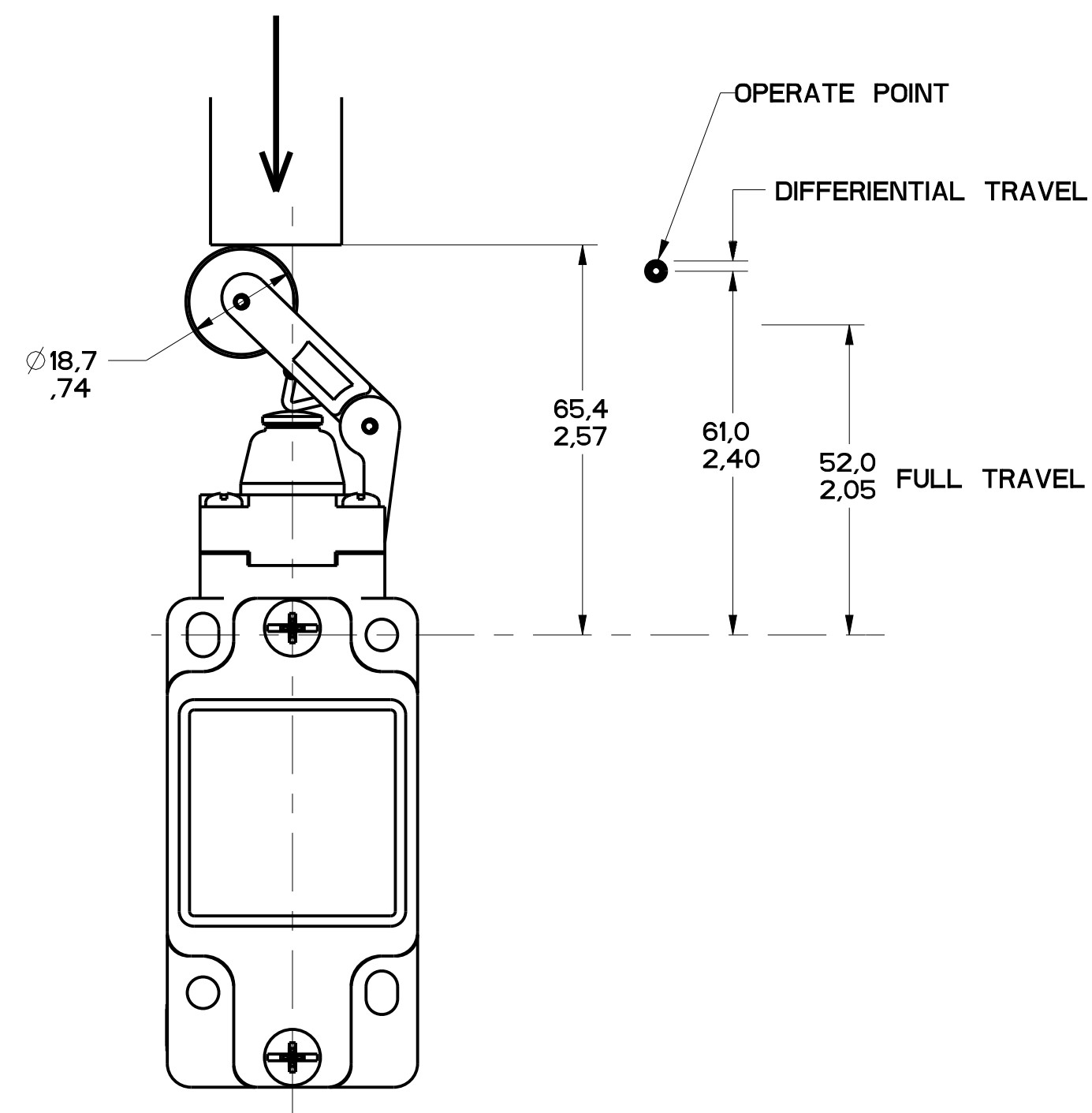


FIGURE 14A

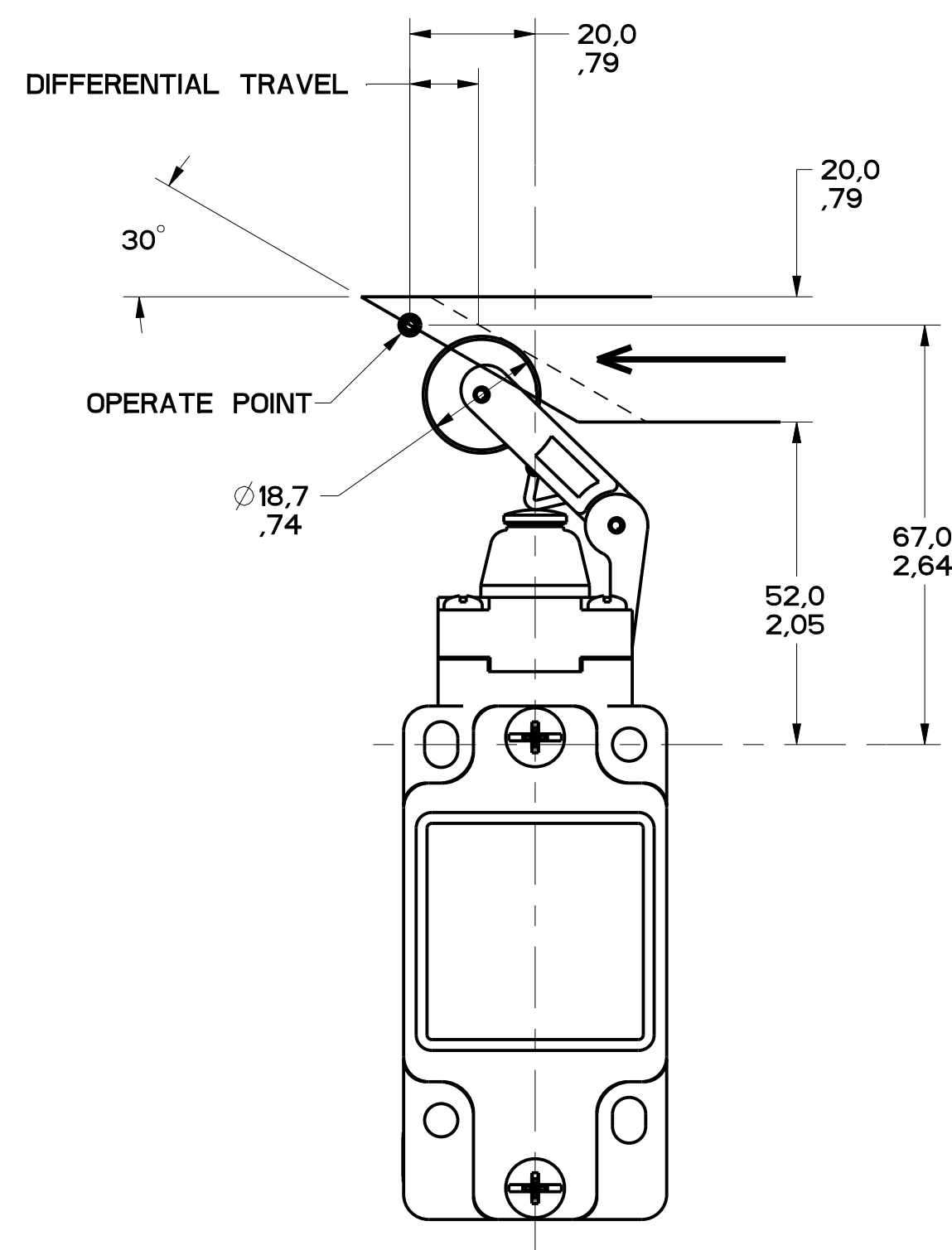


FIGURE 14B

MGL SERIES CHART 1
 DRAWING NUMBER: 10 OF 13
 ISSUE: 16
 P.T.C./CAD: 3D
 DRAWN: G.H. / 02MARCH / 1982
 CHECK: S.A.V. / 12OCT12 / 1982
 APPROVED: CMH / 05OCT10 / 1982
 RELEASE NO.:
 REVISIONS:
 1 0000441 01 JUN83
 2 0002986 20 JAN84
 3 0023759 07 JAN86
 4 0037216 03 FEB88
 5 0043629 05 FEB88
 6 0048605 07 FEB89
 7 0078909 01 MAR89
 8 0105059 01 MAR89
 9 0200110 01 MAR89
 10 0094570 01 MAR89
 11 0000000 01 MAR89

THIS DRAWING COVERS A PROPRIETARY ITEM AND IS THE PROPERTY OF MICRO SWITCH, A DIVISION OF HONEYWELL. THIS DRAWING IS NOT TO BE COPIED OR USED WITHOUT THE APPROVAL OF MICRO SWITCH. FED. MFG. CODE 91929		CATALOG LISTING	
MICRO SWITCH a Honeywell Division		SWITCH, ENCLOSED	
DESIGN UNITS: <input checked="" type="checkbox"/> SI METRIC <input type="checkbox"/> US CUSTOMARY		GL SERIES CHART 1	
TOLERANCES APPLY TO DESIGN UNITS. CONCESSIONS ARE ONLY FOR REFERENCE, UNLESS NOTED. TOLERANCES ARE:		THIRD ANGLE PROJECTION DO NOT SCALE PRINT	
NO. PLACES ONE PLACE TWO PLACES THREE PLACES ANGLES	DIM mm X .1 X .01 X .001 ± .2°	TOL. mm .15 .05 .025 .013	DIM IN X .1 X .01 X .001 ± .2°
WEIGHT		TOL. IN .01 .005 .0025 .0013	

FIGURE 14A, TOP ROLLER LEVER HEAD WITH PIN ACTUATION

CATALOG LISTING	CONTACT BLOCK DIAGRAM	NOMINAL TRAVELS AND RELATED TERMINALS ■ - CONTACT CLOSED, □ - CONTACT OPEN, ▨ - CONTACT CLOSED DIFFERENTIAL TRAVEL, ** POSITIVE OPENING TO IEC 947-5-1	MAXIMUM OPERATING FORCE $\frac{N}{LB}$	MAXIMUM DISCONNECT FORCE $\frac{N}{LB}$	MAX OPERATE VEL $\frac{M/S}{IN/S}$	MIN OPERATE VEL $\frac{M/S}{IN/S}$	MAX OPERATE FREQUENCY OPS/MIN
GL**01D GL**07D	SNAP - ACTION CONTACTS SINGLE POLE 	 1.7 DIFFERENTIAL TRAVEL	$\frac{9.5}{2.1}$	$\frac{12}{2.7}$	$\frac{0.17}{6.7}$	$\frac{1.7}{.067}$	250
GL**03D GL**33D	SLOW ACTING BREAK BEFORE MAKE 	 59.1	$\frac{9.5}{2.1}$	$\frac{12}{2.7}$	$\frac{0.17}{6.7}$	$\frac{1.7}{.067}$	250
GL**04D GL**34D	SLOW ACTING MAKE BEFORE BREAK 	 61	$\frac{9.5}{2.1}$	$\frac{12}{2.7}$	$\frac{0.17}{6.7}$	$\frac{1.7}{.067}$	250
GL**05D GL**35D	SLOW ACTING 	 23-24	$\frac{9.5}{2.1}$	$\frac{12}{2.7}$	$\frac{0.17}{6.7}$	$\frac{1.7}{.067}$	250
GL**06D GL**36D	SLOW ACTING 	 21-22	$\frac{9.5}{2.1}$	$\frac{12}{2.7}$	$\frac{0.17}{6.7}$	$\frac{1.7}{.067}$	250
GL**20D GL**22D GL**24D GL**32D	SNAP ACTION CONTACTS DOUBLE POLE 	 1.7 DIFFERENTIAL TRAVEL	$\frac{9.5}{2.1}$	$\frac{16.4}{3.7}$	$\frac{0.17}{6.7}$	$\frac{1.7}{.067}$	250
GL**21D GL**25D GL**28D GL**31D	STEP 1 STEP 2 SNAP ACTION CONTACTS DOUBLE POLE SEQUENTIAL 	 1.6 DIFFERENTIAL TRAVEL	$\frac{9.5}{2.1}$	N/A	$\frac{0.17}{6.7}$	$\frac{1.7}{.067}$	250

FIGURE 14B, TOP ROLLER LEVER HEAD WITH CAM ACTUATION

CATALOG LISTING	CONTACT BLOCK DIAGRAM	NOMINAL TRAVELS AND RELATED TERMINALS ■ - CONTACT CLOSED, □ - CONTACT OPEN, ▨ - CONTACT CLOSED DIFFERENTIAL TRAVEL, ** POSITIVE OPENING TO IEC 947-5-1	MAXIMUM OPERATING FORCE $\frac{N}{LB}$	MAXIMUM DISCONNECT FORCE $\frac{N}{LB}$	MAX OPERATE VEL $\frac{M/S}{IN/S}$	MIN OPERATE VEL $\frac{M/S}{IN/S}$	MAX OPERATE FREQUENCY OPS/MIN
GL**01D GL**07D	SNAP - ACTION CONTACTS SINGLE POLE 	 4.1 DIFFERENTIAL TRAVEL	$\frac{5.5}{1.2}$	$\frac{7.0}{1.6}$	$\frac{0.29}{11.4}$	$\frac{2.9}{.11}$	250
GL**03D GL**33D	SLOW ACTING BREAK BEFORE MAKE 	 24.1	$\frac{5.5}{1.2}$	$\frac{7.0}{1.6}$	$\frac{0.29}{11.4}$	$\frac{2.9}{.11}$	250
GL**04D GL**34D	SLOW ACTING MAKE BEFORE BREAK 	 20	$\frac{5.5}{1.2}$	$\frac{9.6}{2.2}$	$\frac{0.29}{11.4}$	$\frac{2.9}{.11}$	250
GL**05D GL**35D	SLOW ACTING 	 23-24	$\frac{5.5}{1.2}$	$\frac{7.0}{1.6}$	$\frac{0.29}{11.4}$	$\frac{2.9}{.11}$	250
GL**06D GL**36D	SLOW ACTING 	 21-22	$\frac{5.5}{1.2}$	$\frac{7.0}{1.6}$	$\frac{0.29}{11.4}$	$\frac{2.9}{.11}$	250
GL**20D GL**22D GL**24D GL**32D	SNAP ACTION CONTACTS DOUBLE POLE 	 4.1 DIFFERENTIAL TRAVEL	$\frac{5.5}{1.2}$	$\frac{7.0}{1.6}$	$\frac{0.29}{11.4}$	$\frac{2.9}{.11}$	250
GL**21D GL**25D GL**28D GL**31D	STEP 1 STEP 2 SNAP ACTION CONTACTS DOUBLE POLE SEQUENTIAL 	 3.7 DIFFERENTIAL TRAVEL	$\frac{5.5}{1.2}$	N/A	$\frac{0.29}{11.4}$	$\frac{2.9}{.11}$	250

MGL SERIES CHART 1
 DRAWING NUMBER: 11 OF 13
 PTC/CAD 3D
 GH 05MARC01
 CMH 120C112
 RELEASE NO. -
 ISSUE: 16
 CHECK: CMH
 DATE: 05/01/10
 CHECK: CMH
 DATE: 02/27/09
 DATE: 07/15/06
 DATE: 03/21/06
 DATE: 08/18/08
 DATE: 04/26/09
 DATE: 05/08
 DATE: 04/06/05
 DATE: 07/29
 DATE: 07/05/05
 DATE: 02/01/10
 DATE: 08/04/07
 DATE: 02/01/12

THIS DRAWING COVERS A PROPRIETARY ITEM AND IS THE PROPERTY OF MICRO SWITCH, A DIVISION OF HONEYWELL. THIS DRAWING IS NOT TO BE COPIED OR USED WITHOUT THE APPROVAL OF MICRO SWITCH.

FED. MFG. CODE 91929

MICRO SWITCH
a Honeywell Division

SWITCH, ENCLOSED

CATALOG LISTING
GL SERIES CHART 1

THIRD ANGLE PROJECTION

SCALE: -

DO NOT SCALE PRINT

TOLERANCES
APPLY TO DESIGN UNITS. CONVERSIONS ARE ONLY FOR REFERENCE. UNLESS NOTED, TOLERANCES ARE:

	DIM	TOL.	DIM	TOL.
NO PLACES	X	±.04	X	±.0015
ONE PLACE	X	±.01	X	±.0015
TWO PLACES	X	±.0015	X	±.0015
THREE PLACES	X	±.0005	X	±.0015
ANGLES		±2'		

DESIGN UNITS: SI METRIC US CUSTOMARY

WEIGHT

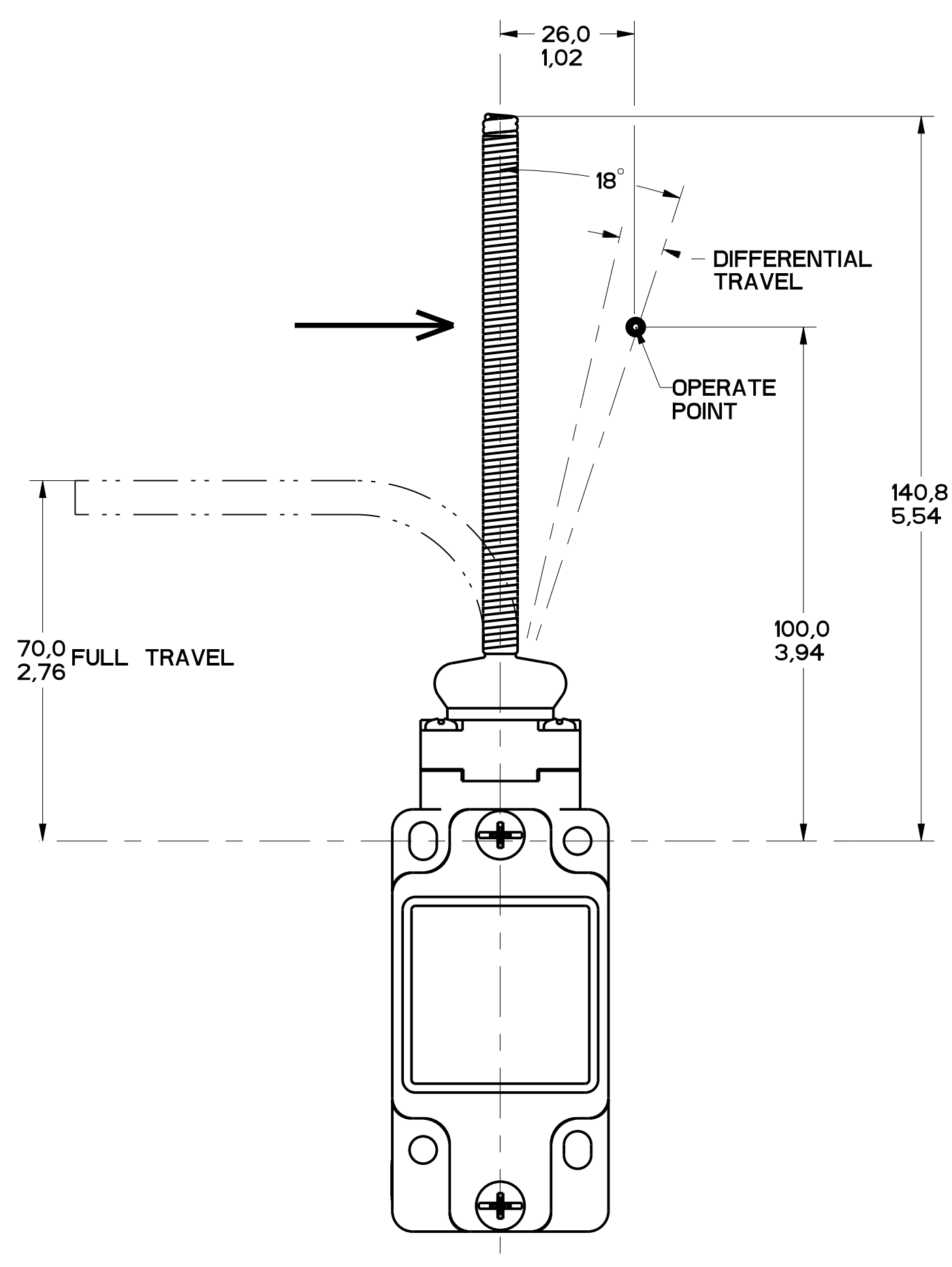


FIGURE 15

DRAWING NUMBER		PAGE		OF		ISSUES	
16		12		OF		13	
DRAWN		CHECKED		APPROVED		DATE	
PTC/CAD 3D		G.H. OSWALD		S.A.V.		12/01/12	

REVISIONS	DATE	BY	DESCRIPTION
1	04/04/11	W.S.	REVISED
2	01/03/11	W.S.	REVISED
3	00/27/06	W.S.	REVISED
4	00/14/04	W.S.	REVISED
5	02/27/99	W.S.	REVISED
6	07/16/86	W.S.	REVISED
7	03/12/86	W.S.	REVISED
8	01/18/88	W.S.	REVISED
9	04/26/79	W.S.	REVISED
10	05/18/78	W.S.	REVISED
11	04/06/55	W.S.	REVISED
12	07/18/50	W.S.	REVISED
13	07/30/50	W.S.	REVISED
14	03/01/50	W.S.	REVISED
15	04/04/50	W.S.	REVISED

THIS DRAWING COVERS A PROPRIETARY ITEM AND IS THE PROPERTY OF MICRO SWITCH, A DIVISION OF HONEYWELL. THIS DRAWING IS NOT TO BE COPIED OR USED WITHOUT THE APPROVAL OF MICRO SWITCH.		FEDERAL MFG. CODE 91929	
MICRO SWITCH a Honeywell Division		SWITCH, ENCLOSED	
CATALOG LISTING		GL SERIES CHART 1	
DESIGN UNITS		SI METRIC <input checked="" type="checkbox"/> US CUSTOMARY <input type="checkbox"/>	
WEIGHT		TOLERANCES DO NOT SCALE PRINT APPLY TO DESIGN UNITS. CONCESSIONS ARE ONLY FOR REFERENCE, UNLESS NOTED. TOLERANCES ARE:	
NO PLACES	±0.05	ONE PLACE	±0.10
TWO PLACES	±0.02	TWO PLACES	±0.05
THREE PLACES	±0.01	THREE PLACES	±0.005
ANGLES	±2'	ANGLES	±2'

FIGURE 15, CAT WISKER HEAD, ANGULAR ACTUATION

CATALOG LISTING	CONTACT BLOCK DIAGRAM	NOMINAL TRAVELS AND RELATED TERMINALS ■ - CONTACT CLOSED, □ - CONTACT OPEN, ▨ - CONTACT CLOSED DIFFERENTIAL TRAVEL	MAXIMUM OPERATING TORQUE N-m LB-IN	MAXIMUM DISCONNECT TORQUE N-m LB-IN	MAX OPERATE DEGREE/S	MIN OPERATE VELOCITY DEGREE/S	MAX OPERATE RATE CYCLES/MIN
GL**01K GL**07K	SNAP - ACTION CONTACTS SINGLE POLE 	 21-22 18° 13-14 8° DIFFERENTIAL TRAVEL	0.1 .9	N/A	360	8	100
GL**03K GL**33K	SLOW ACTING BREAK BEFORE MAKE 	 21-22 18° 13-14 25	0.1 .9	N/A	360	8	100
GL**04K GL**34K	SLOW ACTING MAKE BEFORE BREAK 	 21-22 25° 13-14 18°	0.1 .9	N/A	360	8	100
GL**05K GL**35K	SLOW ACTING 	 13-14 25° 23-24	0.1 .9	N/A	360	8	100
GL**06K GL**36K	SLOW ACTING 	 11-12 18° 21-22	0.1 .9	N/A	360	8	100
GL**20K GL**22K GL**24K GL**32K	SNAP ACTION CONTACTS DOUBLE POLE 	 11-12, 21-22 18° 13-14, 23-24 8° DIFFERENTIAL TRAVEL	0.1 .9	N/A	360	8	100

FIGURE 15, CAT WISKER HEAD, SIDE ACTUATION AT 100mm

CATALOG LISTING	CONTACT BLOCK DIAGRAM	NOMINAL TRAVELS AND RELATED TERMINALS ■ - CONTACT CLOSED, □ - CONTACT OPEN, ▨ - CONTACT CLOSED DIFFERENTIAL TRAVEL	MAXIMUM OPERATING FORCE N LB	MAXIMUM DISCONNECT FORCE N LB	MAX OPERATE VEL M/S IN/S	MIN OPERATE VEL mm/S IN/S	MAX OPERATE FREQUENCY OPS/MIN
GL**01K GL**07K	SNAP - ACTION CONTACTS SINGLE POLE 	 21-22 26 13-14 12 DIFFERENTIAL TRAVEL	1.3 .3	N/A	.5 19.7	.11 .43	100
GL**03K GL**33K	SLOW ACTING BREAK BEFORE MAKE 	 21-22 26.5 38.1 13-14	1.3 0.3	N/A	.5 19.7	.11 .43	100
GL**04K GL**34K	SLOW ACTING MAKE BEFORE BREAK 	 21-22 26.5 38.1 13-14	1.3 0.3	N/A	.5 19.7	.11 .43	100
GL**05K GL**35K	SLOW ACTING 	 21-22 38.1 13-14	1.3 0.3	N/A	.5 19.7	.11 .43	100
GL**06K GL**36K	SLOW ACTING 	 11-12 26.5 21-22	1.3 0.3	N/A	.5 19.7	.11 .43	100
GL**20K GL**22K GL**24K GL**32K	SNAP ACTION CONTACTS DOUBLE POLE 	 11-12, 21-22 26 13-14, 23-24 12 DIFFERENTIAL TRAVEL	1.3 0.3	N/A	.5 19.7	.11 .43	100

MGL SERIES CHART 1
 DRAWING NUMBER: 13 OF 13
 RELEASE NO.:
 ISSUE: 16
 PTC/CAD: 3D
 DRAWN: GH
 CHECK: CMH
 DATE: 05MARCH11
 CHECK: CMH
 DATE: 05OCT10
 CHECK: CMH
 DATE: 02JAN84
 HONOLULU: 023759
 HONOLULU: 07AUG86
 HONOLULU: 0037216
 HONOLULU: 081E88
 HONOLULU: 0043629
 HONOLULU: 053108
 HONOLULU: 0048605
 HONOLULU: 007809
 HONOLULU: 0075058
 HONOLULU: 000110
 HONOLULU: 0094570
 HONOLULU: 000112
 PTC/CAD: 3D
 DRAWN: GH
 CHECK: CMH
 DATE: 05MARCH11

THIS DRAWING COVERS A PROPRIETARY ITEM AND IS THE PROPERTY OF MICRO SWITCH, A DIVISION OF HONEYWELL. THIS DRAWING IS NOT TO BE COPIED OR USED WITHOUT THE APPROVAL OF MICRO SWITCH.

FED. MFG. CODE 91929

CATALOG LISTING

MICRO SWITCH
a Honeywell Division

SWITCH, ENCLOSED

GL SERIES CHART 1

THIRD ANGLE PROJECTION

SCALE: -

DO NOT SCALE PRINT

TOLERANCES
APPLY TO DESIGN UNITS. CONVERSIONS ARE ONLY FOR REFERENCE. UNLESS NOTED, TOLERANCES ARE:

	DIM	TOL.	DIM	TOL.
NO PLACES	X	±.04	X	±.0015
ONE PLACE	X	±.01	X	±.0015
TWO PLACES	X	±.0015	X	±.0015
THREE PLACES	X	±.0005	X	±.0015
ANGLES		±2'		

DESIGN UNITS: SI METRIC US CUSTOMARY

WEIGHT