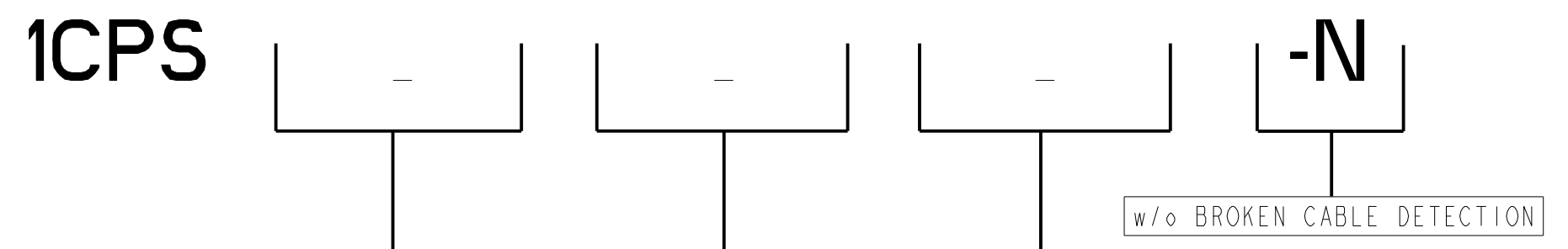


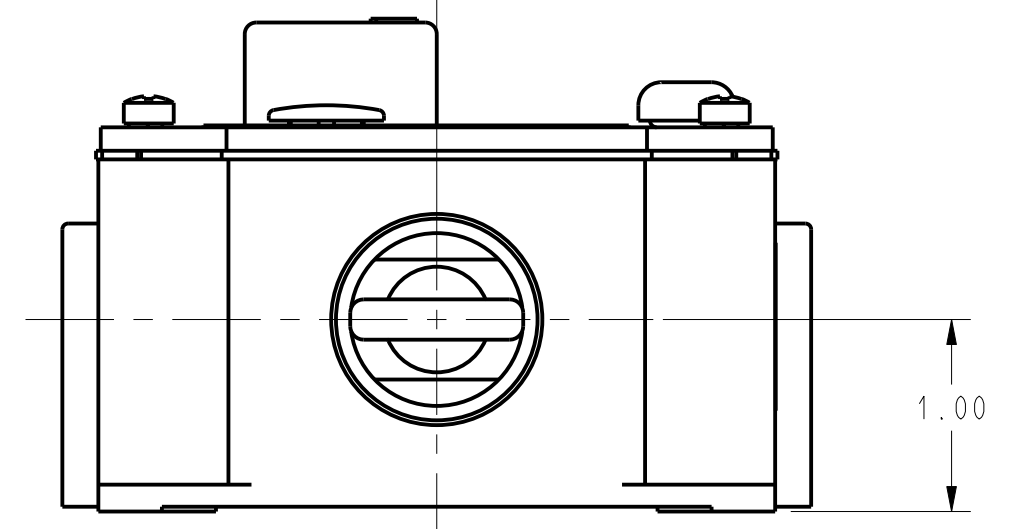
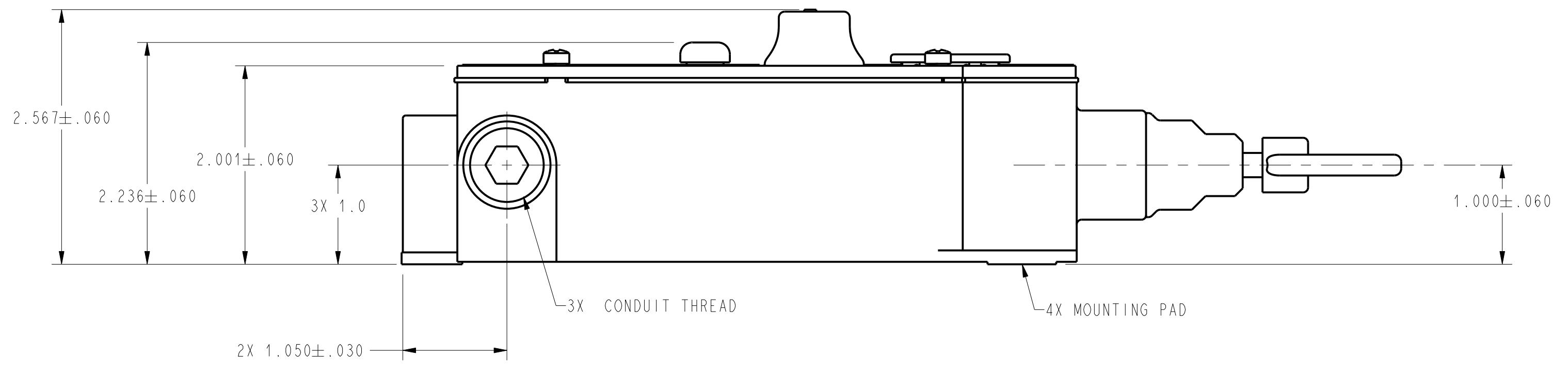
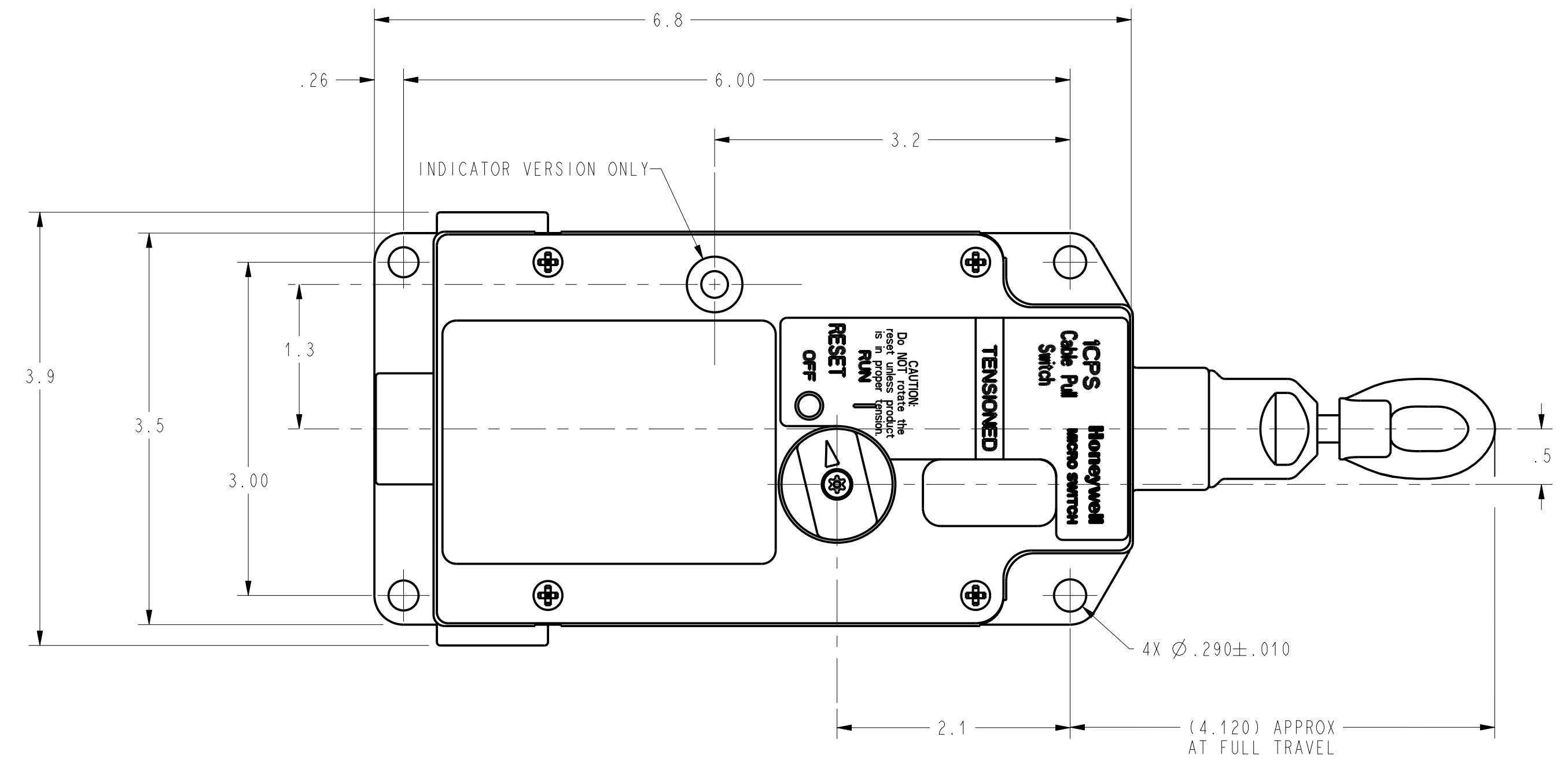
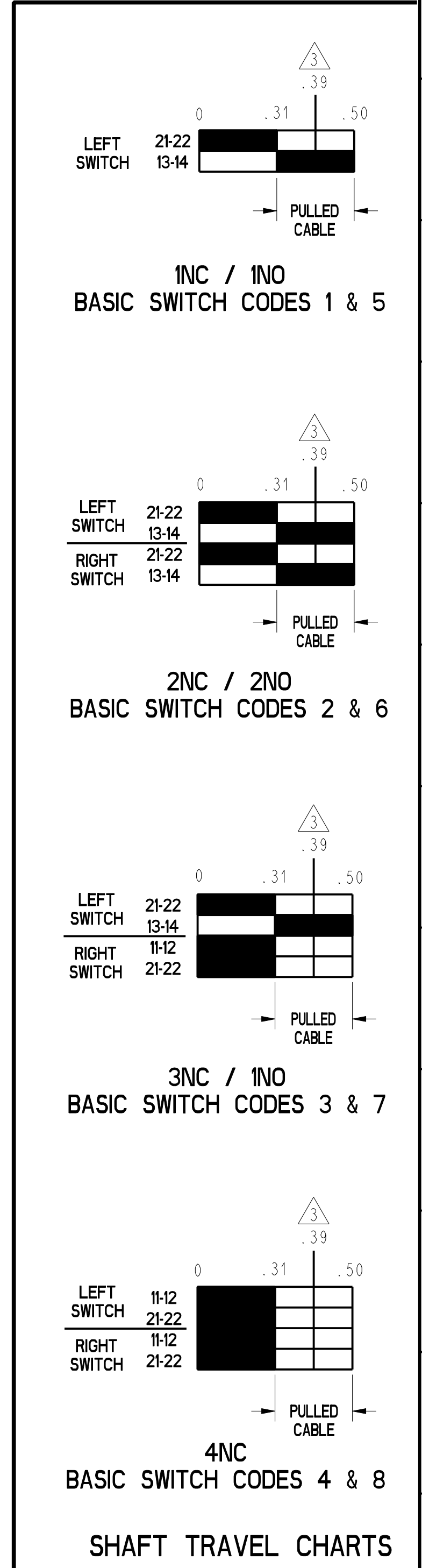
REV	DOCUMENT	CHANGED BY	CHECK
A	0000925	KED 04NOV03	SAV



BODY CODE	
A	1/2" NPT
B	PG13,5
C	20mm
D	PF 1/2

INDICATOR-PILOT LIGHT CODE	
A	24VDC LED
B	120VAC LED

BASIC SWITCH CODE	
1	1NO - 1NC DIRECT ACTING (SWITCH 1: 1NO - 1NC) (SWITCH 2: NONE)
2	2NO - 2NC DIRECT ACTING (SWITCH 1: 1NO - 1NC) (SWITCH 2: 1NO - 1NC)
3	1NO - 3NC DIRECT ACTING (SWITCH 1: 1NO - 1NC) (SWITCH 2: 2NC)
4	4NC DIRECT ACTING (SWITCH 1: 2NC) (SWITCH 2: 2NC)
5	1NO - 1NC DIRECT ACTING, GOLD PLATED (SWITCH 1: 1NO - 1NC) (SWITCH 2: NONE)
6	2NO - 2NC DIRECT ACTING, GOLD PLATED (SWITCH 1: 1NO - 1NC) (SWITCH 2: 1NO - 1NC)
7	1NO - 3NC DIRECT ACTING, GOLD PLATED (SWITCH 1: 1NO - 1NC) (SWITCH 2: 2NC)
8	4NC DIRECT ACTING, GOLD PLATED (SWITCH 1: 2NC) (SWITCH 2: 2NC)



- NOTES
- 1 - TWO CONDUIT THREAD PLUGS ARE INCLUDED WITH PRODUCT
 - 2 - NOMENCLATURE IS PROVIDED FOR IDENTIFICATION OF EXISTING LISTINGS. NOT ALL COMBINATIONS ARE AVAILABLE
 - 3 - POSITIVE OPENING TO IEC/EN60947-5-1
 - 4 - FORCE TO MAINTAIN ACTUATION SHAFT AT PROPER TENSION: 25 LBS
ACTUATION SHAFT OPERATE FORCE: 40 LBS

ELECTRICAL RATING				ENVIRONMENTAL		APPROVALS	
AC		DC		IP 67 NEMA 1, 4, 12 & 13		UL CE	
A300 Ue	AC15 Ie	O300 Ue	DC13 Ie	TEMP RANGE: -25°C TO 85°C -13°F TO 185°F		IEC/EN60947-5-1	
(VOLTS)	(AMPS)	(VOLTS)	(AMPS)	STORAGE: -40°C TO 85°C -40°F TO 185°F			
120	6	24	2.8	SHOCK: 15G PER IEC 68-2-27			
240	3	125	.55	VIBRATION: 5G PER IEC 68-2-6			
Ith = 10A							

UNLESS OTHERWISE SPECIFIED TOLERANCES ARE:		DRAWN: KED 4NOV03		CHECK: SAV 4NOV03	
NO PLACE	X ±.040 ±.1	THIS DRAWING COVERS A PROPRIETARY ITEM AND IS THE PROPERTY OF HONEYWELL. THIS DRAWING IS NOT TO BE COPIED OR USED WITHOUT THE PERMISSION OF HONEYWELL.			
ONE PLACE	.X ±.030 ±.0,4	DIMENSIONS ARE TO BE MET BEFORE PROTECTIVE COATINGS ARE APPLIED.			
TWO PLACE	.XX ±.015 ±.0,15	SCALE: FULL			
THREE PLACE	.XXX ±.005 ±	SHEET: 1 OF 1			
ANGLES	±	REV: A			
RAW MATERIAL - COMMERCIAL STANDARD	±	DRAWING NAME: ICPS SERIES CHART 2			
THIRD ANGLE PROJECTION		PTC 3D ASME Y14.5M-1994		WEIGHT	

Honeywell

SWITCH, ASSEMBLY