

PRODUCT BRIEF

KEY FEATURES

- ▶ High reliability
- ▶ Low insertion Loss
- ▶ High Isolation
- ▶ Optimized for different wavelengths
- ▶ Wide operating temperature range

OVERVIEW

Finisar free space isolators are used in various TOSAs, which require isolation to prevent feedback into the laser. Available in single stage and semi-double stage designs.

Finisar free space isolators offer excellent performance with low insertion loss, high isolation. Our proprietary bonding process, and years of volume manufacturing experience, results in a high reliability record. Bare isolator chips survive more than 5,000hrs of damp heat testing without delamination.



SPECIFICATIONS

Single stage free space isolator specifications:

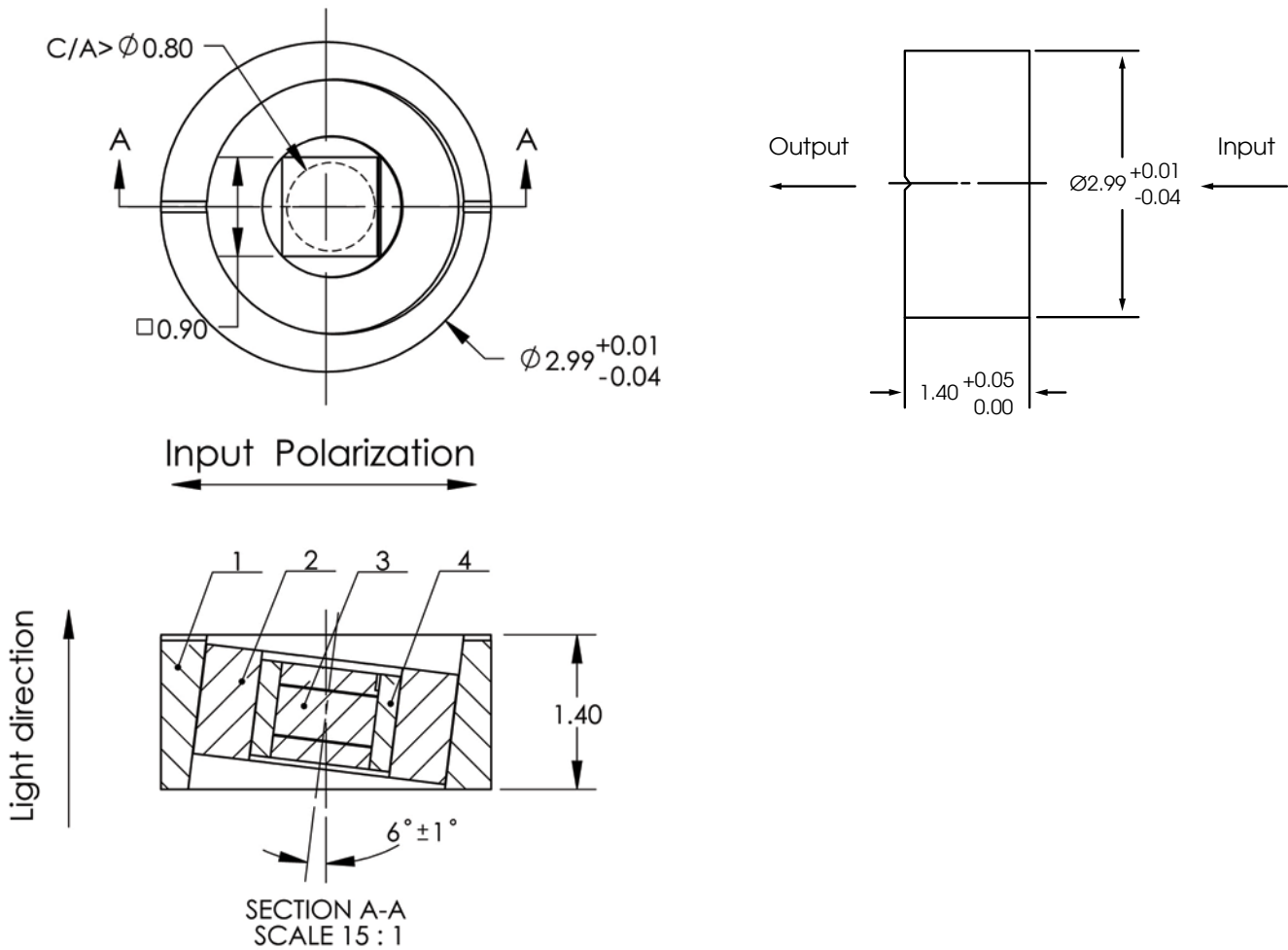
| Parameters | Units | Specification |
|-----------------------|-------|----------------|
| CWL | nm | 1270 ~ 1610 |
| Operating wavelength | nm | +/-20 |
| Insertion loss | dB | < 0.3 |
| Minimum Isolation* | dB | >20 |
| Clear aperture | mm | > 0.8 diameter |
| Tilt angle | DEG | 6 +/- 1 |
| Operating temperature | °C | -40 to 85 |
| Storage temperature | °C | -40 to 100 |

* Note: Overall wavelengths and temperatures

Free Space Isolator

PACKAGE DIMENSIONS (unit:mm)

Single Stage Isolator (Round type)



ORDERING INFORMATION

| Part Number: | Description |
|----------------|--|
| FIF-S-55-080-R | Free space isolator, 1550nm, single stage, CA 0.8mm, round |
| FIF-S-31-080-R | Free space isolator, 1310nm, single stage, CA 0.8mm, round |

Finisar[®] 1389 Moffett Park Drive
 Sunnyvale, CA 94089
 Phone 408-548-1000
 Email: sales@finisar.com
 www.finisar.com