

# Compact piezoelectric accelerometers

## 726 and 726T

### SPECIFICATIONS

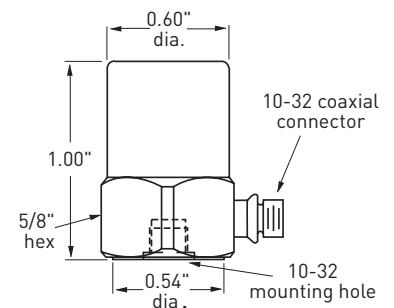
<b>Sensitivity, <math>\pm 5\%</math>, 25°C</b>		100 mV/g
<b>Acceleration range</b>		80 g peak
<b>Amplitude nonlinearity</b>		1%
<b>Frequency response:</b>	$\pm 5\%$	2.0 - 10,000 Hz
	$\pm 10\%$	1.0 - 12,000 Hz
	$\pm 3$ dB	0.6 - 15,000 Hz
<b>Resonance frequency, mounted, nominal</b>		32 kHz
<b>Transverse sensitivity, max</b>		5% of axial
<b>Temperature response:</b>	-50°C	-10%
	+120°C	+5%
<b>Power requirement:</b>		
Voltage source		18 - 30 VDC
Current regulating diode		2 - 10 mA
<b>Electrical noise, equiv. g, nominal:</b>		
Broadband	2.5 Hz to 25 kHz	60 $\mu$ g
Spectral	10 Hz	8.0 $\mu$ g/ $\sqrt{\text{Hz}}$
	100 Hz	0.8 $\mu$ g/ $\sqrt{\text{Hz}}$
	1,000 Hz	0.3 $\mu$ g/ $\sqrt{\text{Hz}}$
	10,000 Hz	0.2 $\mu$ g/ $\sqrt{\text{Hz}}$
<b>Output impedance, max</b>		100 $\Omega$
<b>Bias output voltage, nominal</b>		12 VDC
<b>Grounding:</b>	726 (side connector)	case grounded
	726T (top connector)	base isolated
<b>Temperature range</b>		-50° to +120°C
<b>Vibration limit</b>		500 g peak
<b>Shock limit</b>		5,000 g peak
<b>Electromagnetic sensitivity at 60 Hz</b>		40 $\mu$ g/gauss
<b>Base strain sensitivity</b>		0.002 g/ $\mu$ strain
<b>Weight:</b>	726	30 grams
	726T	34 grams
<b>Case material</b>		316L stainless steel
<b>Mounting</b>		10-32 tapped hole
<b>Output connector</b>		10-32 coaxial
<b>Mating connector</b>		R1
<b>Recommended cabling</b>		J93

Accessories supplied: SF1 mounting stud; calibration data (level 3)

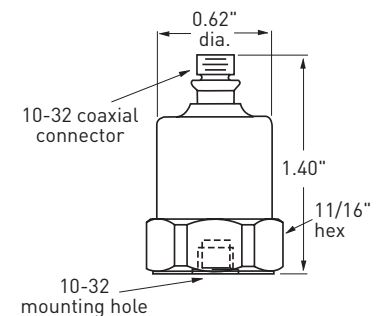


### Key features

- Wide frequency range
- Low noise floor
- Manufactured in ISO 9001 facility



Model 726



Model 726T



Note: Due to continuous process improvement, specifications are subject to change without notice. This document is cleared for public release.