

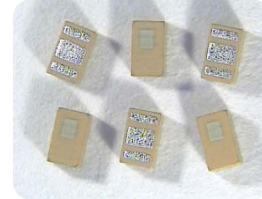
High Frequency Ceramic Solutions

2025 MHz LTE Low Pass Filter. EIA 0805 with reduced footprint using LGA pads P/N 2025LP15A1225

Detail Specification: 09/03/14

Page 1 of 3

Frequency (MHz)	800~1000	1700~1910	2010~2025		
Insertion Loss @ BW	0.5 max. dB	0.8 max. dB	1.5 max. dB		
Return Loss	9.5dB min.				
Attenuation	@2300~6100MHz, 25dB Typ, 20dB min				
	@3700~4100MHz, 34dB Typ, 30dB min				
	@6100~8000MHz, 15dB Typ, 10dB min				
Solder Paste	SAC 305 type is recommended.			Power Capacity	2W max. (CW)
Storage Period	18 months max. in package*			Reel Quantity	4,000
				Operating Temperature	-40 to +85°C
				Storage Temperature	-40 to +85°C



*CAUTION: 18 months in vacuum sealed bag and 1 week after opened. Please keep unused parts in vacuum sealed bags. Go to: <http://www.johansontechnology.com/silverleads> for more info.

Part Number Explanation

P/N Suffix	Packing Style	Bulk	Suffix = S	2025LP15A1225S
		T & R	Suffix = E	2025LP15A1225E (Reel Size: 4000pcs)
	Termination style	AgPt	Suffix = None	2025LP15A1225(E/R/S)
	50Ω SMA Connector Eval Board			2025LP15A1225-EB1SMA (orderable p/n)

Mechanical Dimensions

	In	mm	
L	0.079 ± 0.006	2.00 ± 0.15	
W	0.049 ± 0.004	1.25 ± 0.10	
T	0.037 max.	0.95 max.	
a	0.037 ± 0.004	0.95 ± 0.10	
b	0.011 ± 0.004	0.28 ± 0.10	
c	0.024 ± 0.004	0.60 ± 0.10	
d	0.010 ± 0.002	0.25 ± 0.05	

Terminal Configuration

No.	Function
1	IN
2	GND
3	OUT

Mounting Considerations

Solder Resist
 Land
 Through-hole ($\phi 0.35$)

Would you like the layout file of this filter or need help with the RF layout? Contact our RF Applications Engineering team at: www.johansontechnology.com/component/techquestion

* Line width should be designed to match 50ohm characteristic impedance, depending on PCB material and thickness.

Johanson Technology, Inc. reserves the right to make design changes without notice.

All sales are subject to Johanson Technology, Inc. terms and conditions.



www.johansontechnology.com

4001 Calle Tecate • Camarillo, CA 93012 • TEL 805.389.1166 FAX 805.389.1821

Ver. 1.1

2014 Johanson Technology, Inc. All Rights Reserved

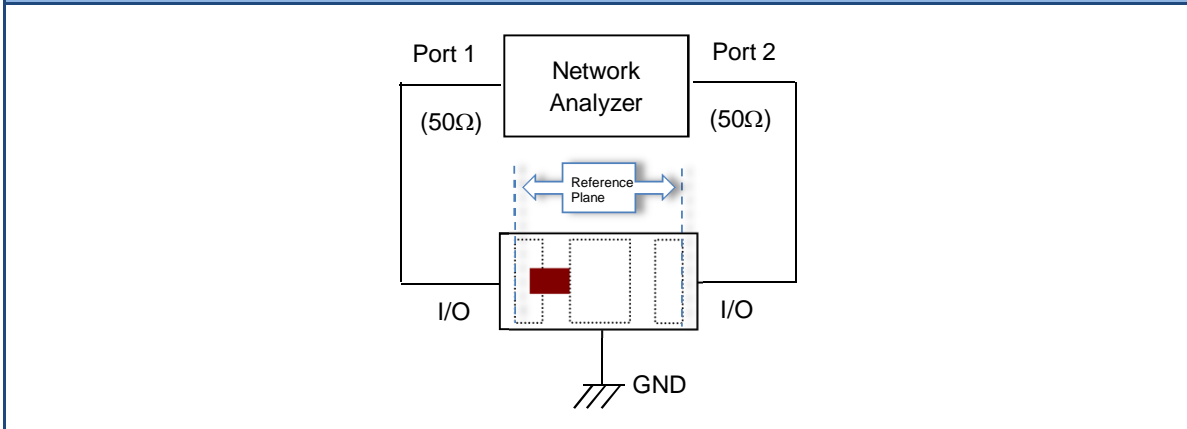
"High Frequency Ceramic Solutions"

2025 MHz LTE Low Pass Filter. EIA 0805 with reduced footprint using LGA pads P/N 2025LP15A1225

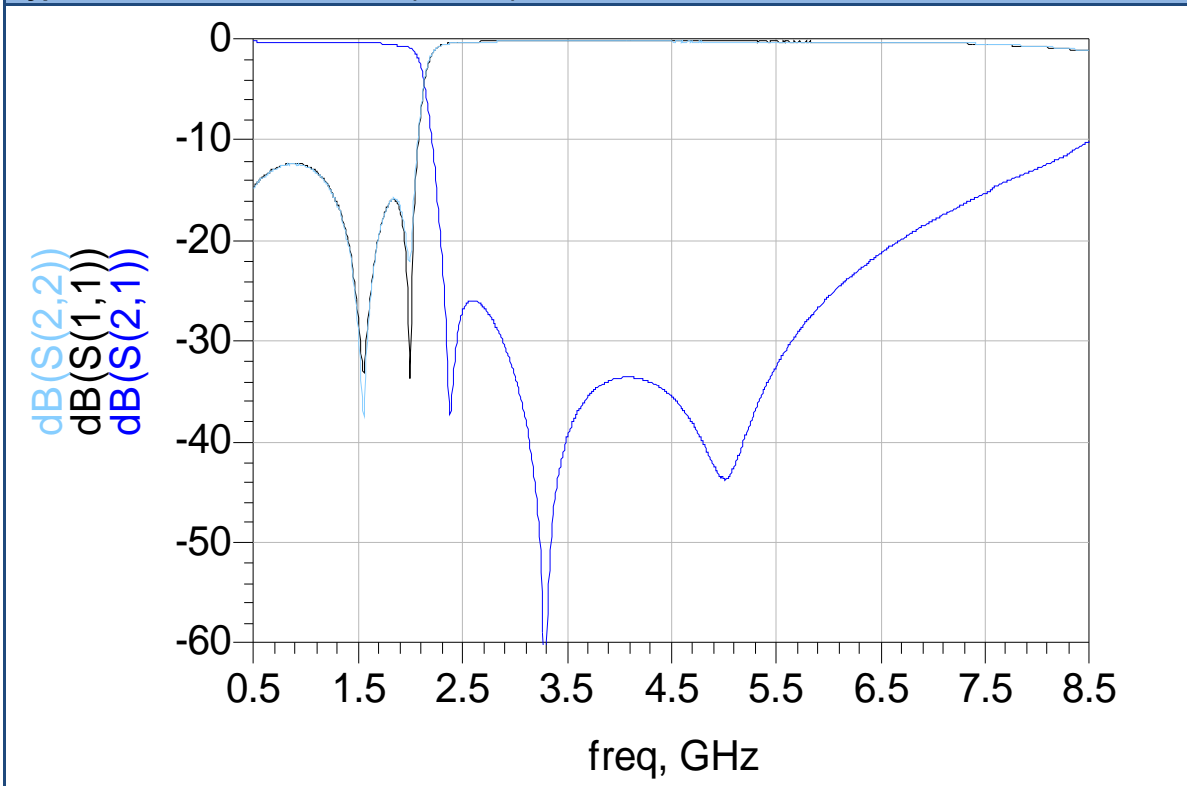
Detail Specification: 09/03/14

Page 2 of 3

Measuring Diagram



Typical Electrical Performance (T=25°C)



Johanson Technology, Inc. reserves the right to make design changes without notice.

All sales are subject to Johanson Technology, Inc. terms and conditions.



www.johansontechnology.com

4001 Calle Tecate • Camarillo, CA 93012 • TEL 805.389.1166 FAX 805.389.1821

Ver. 1.1

2014 Johanson Technology, Inc. All Rights Reserved

"High Frequency Ceramic Solutions"

2025 MHz LTE Low Pass Filter. EIA 0805 with reduced footprint using LGA pads P/N 2025LP15A1225

Detail Specification: 09/03/14

Page 3 of 3

To Download Measured S-parameters for Evaluation and Simulation:

www.johansontechnology.com/lpf

Soldering Information

www.johansontechnology.com/ipcsoldering-profile

RoHS Compliance

www.johansontechnology.com/technical-notes/rohs-compliance.html

MSL Info

www.johansontechnology.com/technical-notes/msl-rating.html

Packaging information

www.johansontechnology.com/ipcpackaging.html

For layout review contact our Applications Team at:

www.johansontechnology.com/component/techquestion

Johanson Technology, Inc. reserves the right to make design changes without notice.

All sales are subject to Johanson Technology, Inc. terms and conditions.



www.johansontechnology.com

4001 Calle Tecate • Camarillo, CA 93012 • TEL 805.389.1166 FAX 805.389.1821

Ver. 1.1

2014 Johanson Technology, Inc. All Rights Reserved