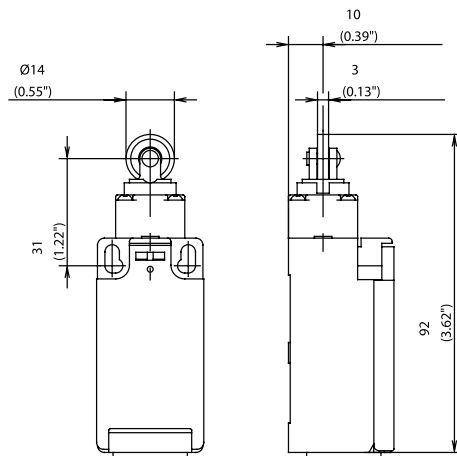


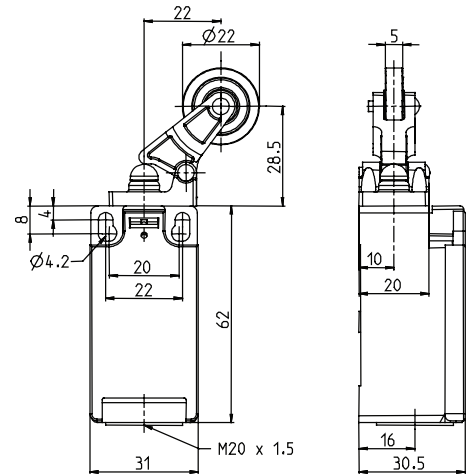
I88 Series



RIWL



KNW RO22

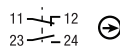


Switching Operation

1 NC / 1 NO Contacts

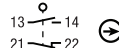
Slow Action

608.6117.050
I88-U1Z RIWL



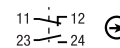
Snap Action

608.6167.051
I88-SU1Z RIWL



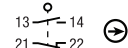
Slow Action

618.6127.112
I88-U1Z KNW RO22



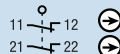
Snap Action

608.6177.053
I88-SU1Z KNW RO22



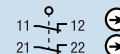
2 NC Contacts

608.6817.072
I88-A2Z RIWL



-

618.6827.246
I88-A2Z KNW RO22



2 NO Contacts

608.6817.069
I88-E2 RIWL



-

-

-

1 NC / 1 NO Contacts Overlapping

-

-

Replacement actuator:

391.8161.673

391.8250.682

Technical Information

	Slow Action	Snap Action
Maximum Switching Voltage	240V	240V
Max. Switching Amps (up to)*	10A	10A
B10d (up to)*	20 Million	20 Million
Mechanical Service Life (up to)*	3 x 10 ⁶	10 x 10 ⁶
Switching Frequency	≤ 100/min	≤ 100/min
Operating Temperature	-30 °C to +80 °C	-30 °C to +80 °C
Protection Rating	IP65	IP65
Utilization Category (up to)*	AC-15, Ue/Ue 240V 3A	AC-15, Ue/Ue 240V 3A
Rate Insulation Voltage	250VAC	250VAC

Approvals



Special features/variants (on request)

- Available with black enclosure
- With latching function
- With steel roller

	Slow Action	Snap Action
Maximum Switching Voltage	240V	240V
Max. Switching Amps (up to)*	10A	10A
B10d (up to)*	20 Million	20 Million
Mechanical Service Life (up to)*	10 x 10 ⁶	10 x 10 ⁶
Switching Frequency	≤ 100/min	≤ 100/min
Operating Temperature	-30 °C to +80 °C	-30 °C to +80 °C
Protection Rating	IP65	IP65
Utilization Category (up to)*	AC-15, Ue/Ue 240V 3A	AC-15, Ue/Ue 240V 3A
Rate Insulation Voltage	250VAC	250VAC



Drawing dimensions in mm