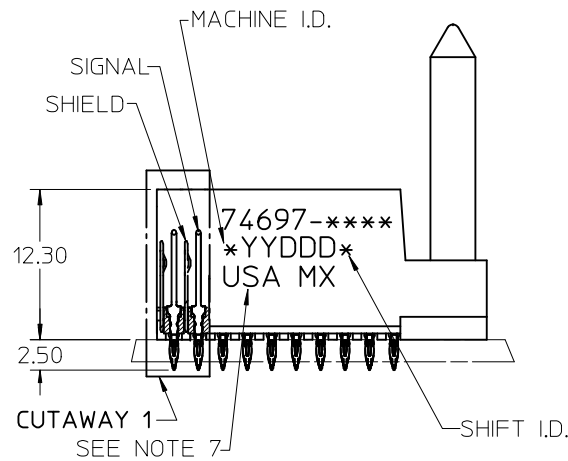
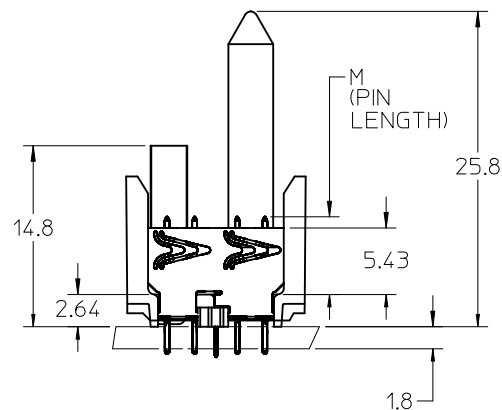
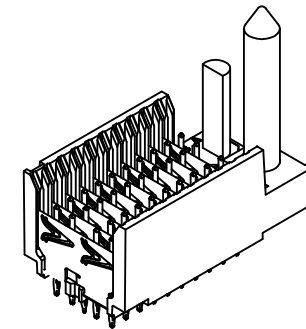
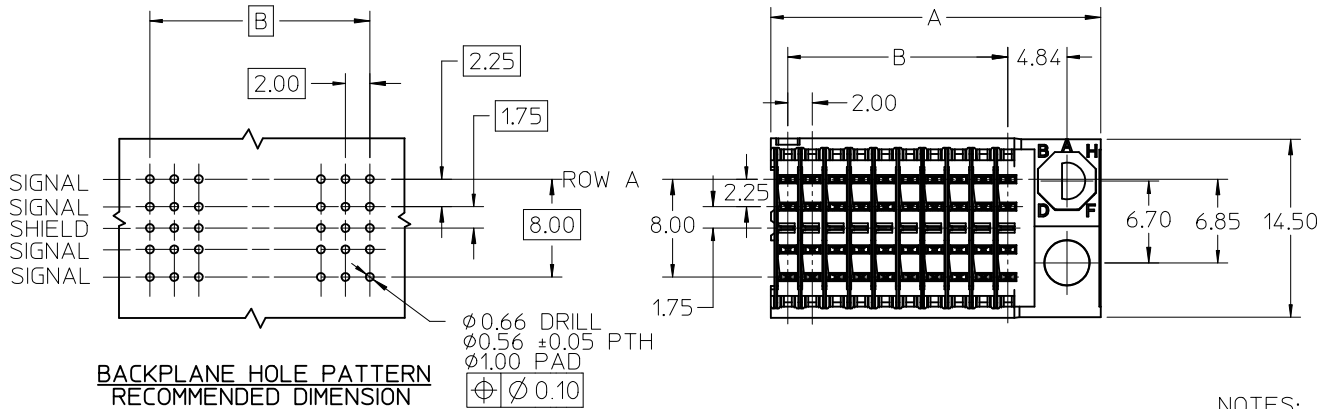


10 9 8 7 6 5 4 3 2 1



NOTES:

1. MATERIAL: HOUSING -LIQUID CRYSTAL POLYMER (LCP) GLASS-FILLED. UL 94 V-0. COLOR: BLACK. SIGNAL & SHIELD -COPPER ALLOY.
2. FINISHES: SELECTIVE GOLD (Au) ON CONTACT AREA, SELECTIVE TIN/LEAD (Sn/Pb) OR SELECTIVE MATTE TIN (Sn) ON TAILS, NICKEL (Ni) OVERALL.
3. THIS PART CONFORMS TO MOLEX PRODUCT SPECIFICATION PS-74031-999.
4. FOR MIXED CONTACT MATING LENGTHS CONSULT MOLEX FOR AVAILABILITY.
5. FOR SPECIFIC PART NUMBER AND MATING INFORMATION REFER TO SHEET 2.
6. PACKAGE PER PK-74696-003.
7. EITHER MARK PART NUMBER AND DATE CODE APPROXIMATELY WHERE SHOWN OR PLACE LABEL ON THE TUBE.
8. THIS PART CONFORMS TO CLASS B REQUIREMENTS OF MOLEX COSMETIC SPECIFICATION PS-45499-002.

ADD LEAD-FREE P/NS EC NO: UCP2012-1674 DRAWN: MOWANG 2011/11/23 CHKD: SDANNELLEY 2011/11/23 APPR: SMILLER 2011/12/02	QUALITY SYMBOLS ▽/≠=0 ▽/≠=0 ▽/≠=0	GENERAL TOLERANCES (UNLESS SPECIFIED)		DIMENSION STYLE MM ONLY		SCALE 2.5:1	DESIGN UNITS METRIC	THIRD ANGLE PROJECTION		
				mm	INCH	DRAWN BY MOWANG	DATE 2011/10/10	TITLE HSD SALES ASSEMBLY ADVANCED MATE 5 ROW SHIELD END BACKPLANE		
				4 PLACES ± ---	± ---	CHECKED BY NMARTIN	DATE 2011/10/12			
				3 PLACES ± ---	± ---	APPROVED BY CBIXLER	DATE 2011/10/12	MOLEX MOLEX INCORPORATED		
		2 PLACES ± ---	± ---	MATERIAL NO.		DOCUMENT NO.	SHEET NO.			
		1 PLACE ± ---	± ---	DRAFT WHERE APPLICABLE MUST REMAIN WITHIN DIMENSIONS		SEE TABLE	SD-74697-003			
		ANGULAR ±1/2°		SIZE B		THIS DRAWING CONTAINS INFORMATION THAT IS PROPRIETARY TO MOLEX INCORPORATED AND SHOULD NOT BE USED WITHOUT WRITTEN PERMISSION				

9 8 7 6 5 4 3 2 1

10 9 8 7 6 5 4 3 2 1

P/N 74697-()	-**0*	-**1*	-**2*	-**3*	-**4*	-**5*	-**6*	-**7*	-**8*
KEYING PIN ORIENTATION									

74697-***

NUMBER OF COLUMNS/PLATING

- 11 = 10 COLUMN TIN/LEAD
- 26 = 25 COLUMN TIN/LEAD
- 91 = 10 COLUMN MATTE TIN
- 86 = 25 COLUMN MATTE TIN

CONTACT LOAD
(PIN LENGTH)
1 & 6 = 4.75
2 & 7 = 6.25
3 & 8 = 4.25
4 & 9 = 5.15



PART NUMBER	COLUMN	NUMBER OF SIGNALS	NUMBER OF SHIELDS	A	B	M	Au (um) THICKNESS	Sn (um) THICKNESS
74697-*1*1	10	40	10	27.00	18.00	4.75	0.76	0.76-1.52
74697-*1*6							1.27	
74697-*6*1	25	100	25	57.00	48.00		0.76	
74697-*6*6							1.27	
74697-*1*2	10	40	10	27.00	18.00	6.25	0.76	
74697-*1*7							1.27	
74697-*6*2	25	100	25	57.00	48.00		0.76	
74697-*6*7							1.27	
74697-*1*3	10	40	10	27.00	18.00	4.25	0.76	
74697-*1*8							1.27	
74697-*6*3	25	100	25	57.00	48.00		0.76	
74697-*6*8							1.27	
74697-*1*4	10	40	10	27.00	18.00	5.15	0.76	
74697-*1*9							1.27	
74697-*6*4	25	100	25	57.00	48.00		0.76	
74697-*6*9							1.27	

ADD LEAD-FREE P/NS EC NO: UCP2012-1674 DRAWN BY: DRWAH/WOLFE 2011/11/23 CHKD: SDANNELLEY 2011/11/23 APPR: SMILLER 2011/12/02 REV: D	QUALITY SYMBOLS ▽=0 ▽=0 ▽=0	GENERAL TOLERANCES (UNLESS SPECIFIED) mm INCH 4 PLACES ± --- ± --- 3 PLACES ± --- ± --- 2 PLACES ± --- ± --- 1 PLACE ± --- ± --- ANGULAR ±1/2°	DIMENSION STYLE MM ONLY DRAWN BY: MOWANG DATE: 2001/10/10 CHECKED BY: NMARTIN DATE: 2001/10/12 APPROVED BY: CBIXLER DATE: 2001/10/12 MATERIAL NO.	SCALE: 2.5:1 DESIGN UNITS: METRIC THIRD ANGLE PROJECTION	TITLE: HSD SALES ASSEMBLY ADVANCED MATE 5 ROW SHIELD END BACKPLANE MOLEX INCORPORATED DOCUMENT NO. SD-74697-003 SHEET NO. 2 OF 2
	DRAFT WHERE APPLICABLE MUST REMAIN WITHIN DIMENSIONS		SEE TABLE		THIS DRAWING CONTAINS INFORMATION THAT IS PROPRIETARY TO MOLEX INCORPORATED AND SHOULD NOT BE USED WITHOUT WRITTEN PERMISSION

9 8 7 6 5 4 3 2 1