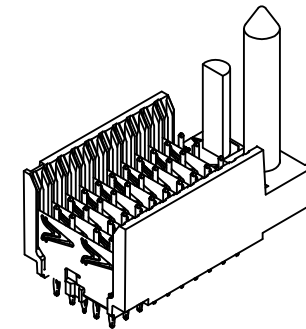
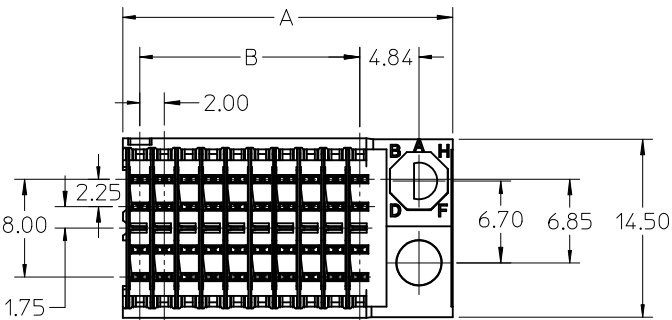
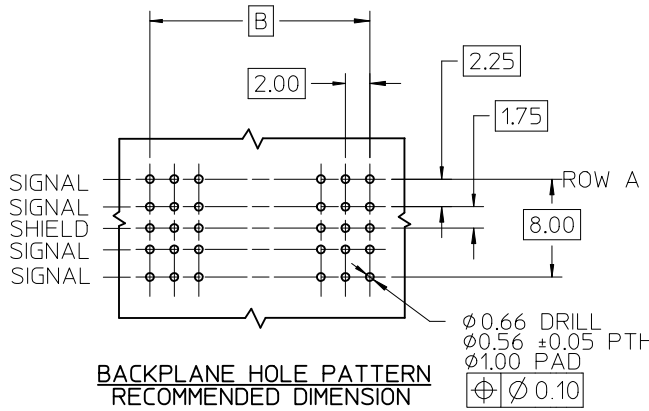
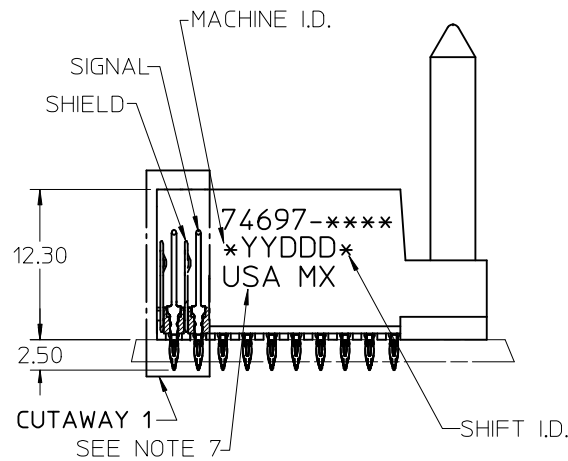
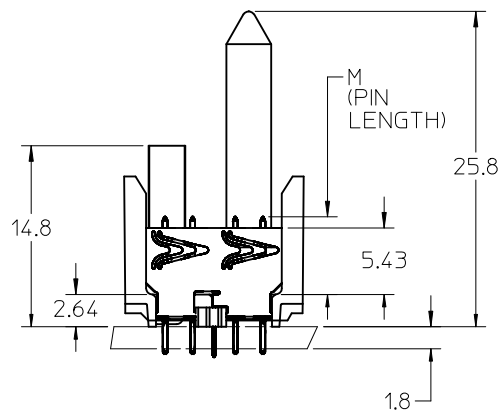


10 9 8 7 6 5 4 3 2 1



NOTES:

1. MATERIAL: HOUSING -LIQUID CRYSTAL POLYMER (LCP) GLASS-FILLED. UL 94 V-0. COLOR: BLACK. SIGNAL & SHIELD -COPPER ALLOY.
2. FINISHES: SELECTIVE GOLD (Au) ON CONTACT AREA, SELECTIVE TIN/LEAD (Sn/Pb) OR SELECTIVE MATTE TIN (Sn) ON TAILS, NICKEL (Ni) OVERALL.
3. THIS PART CONFORMS TO MOLEX PRODUCT SPECIFICATION PS-74031-999.
4. FOR MIXED CONTACT MATING LENGTHS CONSULT MOLEX FOR AVAILABILITY.
5. FOR SPECIFIC PART NUMBER AND MATING INFORMATION REFER TO SHEET 2.
6. PACKAGE PER PK-74696-003.
7. EITHER MARK PART NUMBER AND DATE CODE APPROXIMATELY WHERE SHOWN OR PLACE LABEL ON THE TUBE.
8. THIS PART CONFORMS TO CLASS B REQUIREMENTS OF MOLEX COSMETIC SPECIFICATION PS-45499-002.



ADD LEAD-FREE P/NS EC NO: UCP2012-1674 DRW:MMOLFE 2011/11/23 CHKD:SDANNELLEY 2011/11/23 APPR:SMILLER 2011/12/02	QUALITY SYMBOLS $\nabla = 0$ $\nabla = 0$ $\nabla = 0$	GENERAL TOLERANCES (UNLESS SPECIFIED)		DIMENSION STYLE MM ONLY		SCALE 2.5:1	DESIGN UNITS METRIC	THIRD ANGLE PROJECTION
				DRAWN BY MOWANG	DATE 2001/10/10	TITLE HSD SALES ASSEMBLY ADVANCED MATE 5 ROW SHIELD END BACKPLANE		
				CHECKED BY NMARTIN	DATE 2001/10/12			
				APPROVED BY CBIXLER	DATE 2001/10/12	MATERIAL NO. SEE TABLE		MOLEX INCORPORATED
		DRAFT WHERE APPLICABLE MUST REMAIN WITHIN DIMENSIONS		THIS DRAWING CONTAINS INFORMATION THAT IS PROPRIETARY TO MOLEX INCORPORATED AND SHOULD NOT BE USED WITHOUT WRITTEN PERMISSION				

9 8 7 6 5 4 3 2 1

10 9 8 7 6 5 4 3 2 1

P/N 74697-()	-**0*	-**1*	-**2*	-**3*	-**4*	-**5*	-**6*	-**7*	-**8*
KEYING PIN ORIENTATION									

74697-***

NUMBER OF COLUMNS/PLATING

- 11 = 10 COLUMN TIN/LEAD
- 26 = 25 COLUMN TIN/LEAD
- 91 = 10 COLUMN MATTE TIN
- 86 = 25 COLUMN MATTE TIN

CONTACT LOAD
(PIN LENGTH)
1 & 6 = 4.75
2 & 7 = 6.25
3 & 8 = 4.25
4 & 9 = 5.15



PART NUMBER	COLUMN	NUMBER OF SIGNALS	NUMBER OF SHIELDS	A	B	M	Au (um) THICKNESS	Sn (um) THICKNESS
74697-*1*1	10	40	10	27.00	18.00	4.75	0.76	0.76-1.52
74697-*1*6							1.27	
74697-*6*1	25	100	25	57.00	48.00		0.76	
74697-*6*6							1.27	
74697-*1*2	10	40	10	27.00	18.00	6.25	0.76	
74697-*1*7							1.27	
74697-*6*2	25	100	25	57.00	48.00		0.76	
74697-*6*7							1.27	
74697-*1*3	10	40	10	27.00	18.00	4.25	0.76	
74697-*1*8							1.27	
74697-*6*3	25	100	25	57.00	48.00		0.76	
74697-*6*8							1.27	
74697-*1*4	10	40	10	27.00	18.00	5.15	0.76	
74697-*1*9							1.27	
74697-*6*4	25	100	25	57.00	48.00		0.76	
74697-*6*9							1.27	

ADD LEAD-FREE P/NS EC NO: UCP2012-1674 DRAWN BY: DRWAH/WOLFE CHKD: SDANNELLEY APPR: SMILLER 2011/11/03 2011/11/23 2011/12/02	QUALITY SYMBOLS	GENERAL TOLERANCES (UNLESS SPECIFIED)	DIMENSION STYLE	SCALE	DESIGN UNITS	THIRD ANGLE PROJECTION
	$\nabla=0$ $\nabla=0$ $\nabla=0$	mm INCH 4 PLACES ± --- ± --- 3 PLACES ± --- ± --- 2 PLACES ± --- ± --- 1 PLACE ± --- ± --- ANGULAR ±1/2°	MM ONLY	2.5:1	METRIC	
	DRAWN BY: MOWANG CHECKED BY: NMARTIN APPROVED BY: CBIXLER DATE: 2001/10/10 DATE: 2001/10/12 DATE: 2001/10/12	DRAFT WHERE APPLICABLE MUST REMAIN WITHIN DIMENSIONS		TITLE: HSD SALES ASSEMBLY ADVANCED MATE 5 ROW SHIELD END BACKPLANE	MOLEX INCORPORATED DOCUMENT NO. SD-74697-003	SHEET NO. 2 OF 2
	MATERIAL NO. SEE TABLE SIZE: B	THIS DRAWING CONTAINS INFORMATION THAT IS PROPRIETARY TO MOLEX INCORPORATED AND SHOULD NOT BE USED WITHOUT WRITTEN PERMISSION				

9 8 7 6 5 4 3 2 1