

PLEASE CHECK WWW.MOLEX.COM FOR LATEST PART INFORMATION

Part Number: [0050361669](#)
Status: **Active**
Overview: [minifit_jr](#)
Description: 4.20mm (.165") Pitch Mini-Fit Jr.™ Receptacle Housing, Dual Row, PA Polyamide Nylon 6/6, UL 94V-0, 16 Circuits, Glow Wire Compatible

Documents:

[3D Model](#) [Product Specification PS-5556-001 \(PDF\)](#)
[Drawing \(PDF\)](#) [RoHS Certificate of Compliance \(PDF\)](#)

Agency Certification

CSA	LR19980
TUV	R72081037
UL	E29179

General

Product Family	Crimp Housings
Series	5557
Comments	Current = 13A max. per circuit when header is mated to a receptacle loaded with 45750 series terminals crimped to 16 AWG wire. . See Molex product specification PS-45750-001 for additional current de-rating information.. See Molex product specification PS-5556-001 for additional current de-rating information.
Overview	minifit_jr
Product Name	Mini-Fit Jr.™

Physical

Breakaway	No
Circuits (maximum)	16
Color - Resin	Black
Flammability	94V-0
Gender	Receptacle
Glow-Wire Compliant	Yes
Keying to Mating Part	None
Lock to Mating Part	Yes
Material - Resin	Nylon
Number of Rows	2
Packaging Type	Bag
Panel Mount	No
Pitch - Mating Interface (in)	0.165 In
Pitch - Mating Interface (mm)	4.20 mm
Pitch - Term. Interface (in)	0.165 In
Pitch - Term. Interface (mm)	4.20 mm
Polarized to Mating Part	Yes
Ports	1
Stackable	No
Temperature Range - Operating	-40°C to +105°C

Electrical

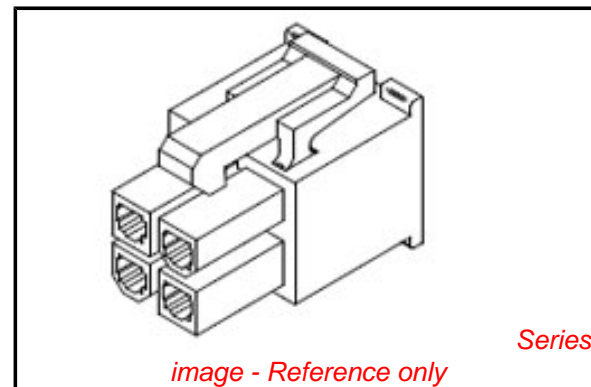
Current - Maximum per Contact	13A
-------------------------------	-----

Material Info

Old Part Number	5557-16R-225
-----------------	--------------

Reference - Drawing Numbers

Packaging Specification	PK-5557-002, PK-5557-003
-------------------------	--------------------------



EU RoHS

ELV and RoHS Compliant
REACH SVHC Contains SVHC: No
Halogen-Free Status

China RoHS



Need more information on product environmental compliance?

Email productcompliance@molex.com
 For a multiple part number RoHS Certificate of Compliance, [click here](#)

Please visit the [Contact Us](#) section for any non-product compliance questions.

Search Parts in this Series

[5557Series](#)

Mates With

[5559](#) Crimp Housings Plug,

Use With

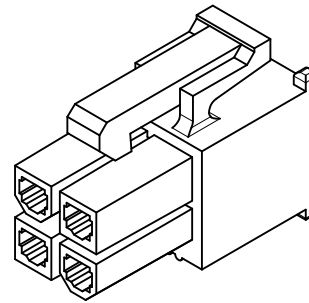
[5556](#) Female Terminal

Product Specification
Sales Drawing
Test Summary

PS-5556-001
SD-5557-003
TS-5556-002

This document was generated on 05/19/2010

PLEASE CHECK WWW.MOLEX.COM FOR LATEST PART INFORMATION

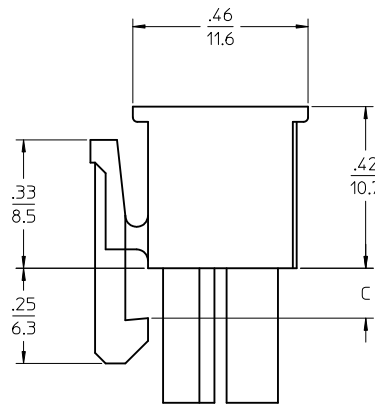
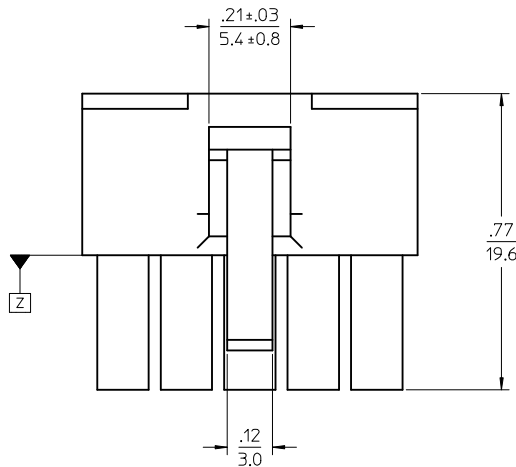


4 CKT SHOWN

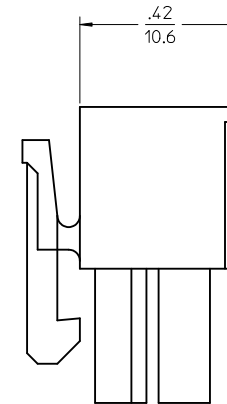
NOTES:

- 1) MATERIAL:
 - *"BLANK" = NYLON 6/6, 94V-2, COLOR: NATURAL.
 - *"BL" = NYLON 6/6, 94V-2, COLOR: BLACK.
 - *"RE" = NYLON 6/6, 94V-2, COLOR: RED.
 - *"YE" = NYLON 6/6, 94V-2, COLOR: YELLOW
 - *"210" = NYLON 6/6, 94V-0, COLOR: NATURAL.
 - *"225" = NYLON (PA6), UL94V-0, COLOR: BLACK, IEC 60335-1, 4th EDITION GLOW WIRE CAPABLE.
 - *"225N" = NYLON (PA6), UL94V-0, COLOR: WHITE, IEC 60335-1, 4th EDITION GLOW WIRE CAPABLE.
 - *"400" = NYLON 6/6, 94V-0, COLOR: BLACK.
- 2) FINISH: NOT APPLICABLE
- 3) PRODUCT SPECIFICATION: PS-5556-001
- 4) PACKAGING: BULK
- 5) PART MATES WITH MOLEX PLUG #5559 AND HEADERS #5566, #5569.
- 6) PART TO BE USED WITH MOLEX FEMALE TERMINAL #5556.
- 7) PART IS NOT DESIGNED FOR CURRENT SHARING.
- 8) CONNECTORS ARE NOT TO BE MATED OR UNMATED WHILE CIRCUITS ARE LIVE.
- 9) WIRES ARE TO BE DRESSED IN SUCH A MANNER TO ALLOW THE TERMINALS TO FLOAT FREELY IN THE POCKET.
- 10) PART CONFORMS TO CLASS "B" REQUIREMENTS OF COSMETIC SPECIFICATION PS-45499-002 WITH THE EXCEPTION OF DISCOLORATION, FLASH AND SINK MEET CLASS "C" REQUIREMENTS.

▲ TO BE MEASURED AT SURFACE [Z]

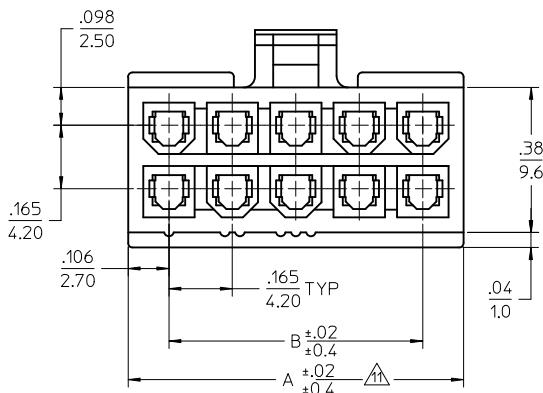


4-24 CKT



2 CKT ONLY

2.031/(51.6)	1.819/(46.2)		24
1.866/(47.4)	1.654/(42.0)		22
1.701/(43.2)	1.488/(37.8)	.142	20
1.535/(39.0)	1.323/(33.6)	(3,6)	18
1.370/(34.8)	1.157/(29.4)		16
1.205/(30.6)	0.992/(25.2)		14
1.039/(26.4)	0.827/(21.0)		12
0.874/(22.2)	0.661/(16.8)		10
0.709/(18.0)	0.496/(12.6)	.129	8
0.543/(13.8)	0.331/(8.4)	(3,3)	6
0.378/(9.6)	0.165/(4.2)		4
0.213/(5.4)			2
A	B	C	NO. OF CKTS.

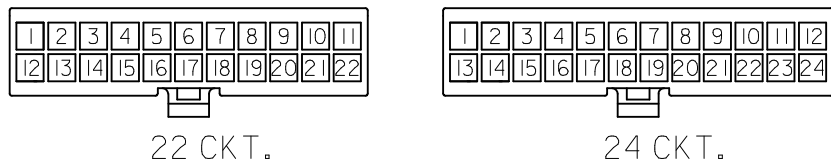
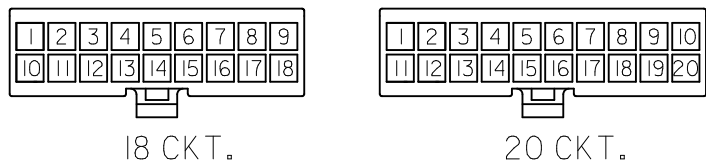
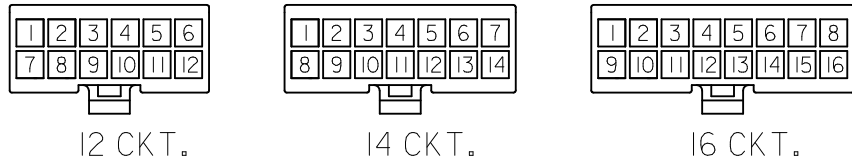


MODIFIED ISO VIEW IEC NO: UCP2010-2566 DRWN: JAGUILAR 2010/04/05 CHKD: JEBEL '97/01/08 APPR: FSMITH 2010/04/14	QUALITY SYMBOLS	DESCRIPTION
	▽=0	
	▽=0	
	REV	J4

GENERAL TOLERANCES (UNLESS SPECIFIED)	
mm	INCH
4 PLACES ± .01	± .0005
3 PLACES ± .02	± .0010
2 PLACES ± .05	± .0020
1 PLACE ± 0.38	± .0150
ANGULAR ± 3 °	
DRAFT WHERE APPLICABLE MUST REMAIN WITHIN DIMENSIONS	

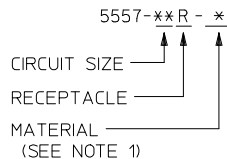
DIMENSION STYLE IN/MM	
DRAWN BY	DATE
S. MOCHIZUKI	'90/02/22
CHECKED BY	DATE
M. FUKUSHIMA	'97/01/08
APPROVED BY	DATE
M. FUKUSHIMA	'97/01/08
MATERIAL NO.	
SEE SHEET 2	

SCALE 4:1	DESIGN UNITS METRIC	THIRD ANGLE PROJECTION
NEW MINI FIT CONN REC. HOUSING		
MOLEX INCORPORATED		
DOCUMENT NO.	SD-5557-003	SHEET NO. 1 OF 2
THIS DRAWING CONTAINS INFORMATION THAT IS PROPRIETARY TO MOLEX INCORPORATED AND SHOULD NOT BE USED WITHOUT WRITTEN PERMISSION		



CIRCUIT SIZE LAYOUT
(NOT TO SCALE)

LEGEND



V-0 GLOW WIRE (BLACK)			V-0 GLOW WIRE (WHITE)			
EDP. NO.	ENG. NO.	NO. OF CKTS.	EDP. NO.	ENG. NO.	NO. OF CKTS.	
	50-36-1667	5557-24R-225	24	-	-	24
	26-01-3167	5557-22R-225	22	-	-	22
*	26-01-3166	5557-20R-225	20	-	-	20
	50-36-1668	5557-18R-225	18	-	-	18
	50-36-1669	5557-16R-225	16	-	-	16
	50-36-2293	5557-14R-225	14	-	-	14
	50-36-1674	5557-12R-225	12	-	-	12
	50-36-1671	5557-10R-225	10	-	-	10
	50-36-1713	5557-08R-225	8	-	-	8
	50-36-1672	5557-06R-225	6	-	-	6
	50-30-4461	5557-04R-225	4	50-36-2301	5557-04R-225N	4
	50-36-1673	5557-02R-225	2	-	-	2

V-0 (BLACK)			V-0 (NATURAL)			
EDP. NO.	ENG. NO.	NO. OF CKTS.	EDP. NO.	ENG. NO.	NO. OF CKTS.	
*	39-03-9242	5557-24R-400	24	39-01-2245	5557-24R-210	24
*	39-03-9222	5557-22R-400	22	39-01-2225	5557-22R-210	22
*	39-03-9202	5557-20R-400	20	39-01-2205	5557-20R-210	20
*	39-03-9182	5557-18R-400	18	39-01-2185	5557-18R-210	18
*	39-03-9162	5557-16R-400	16	39-01-2165	5557-16R-210	16
*	39-03-9142	5557-14R-400	14	39-01-2145	5557-14R-210	14
*	39-03-9122	5557-12R-400	12	39-01-2125	5557-12R-210	12
*	39-03-9102	5557-10R-400	10	39-01-2105	5557-10R-210	10
*	39-03-9082	5557-08R-400	8	39-01-2085	5557-08R-210	8
*	39-03-9062	5557-06R-400	6	39-01-2065	5557-06R-210	6
	39-03-9042	5557-04R-400	4	39-01-2045	5557-04R-210	4
	39-03-9022	5557-02R-400	2	39-01-2025	5557-02R-210	2

* = CONSULT FACTORY FOR AVAILABILITY.

V-2 (YELLOW)			V-2 (RED)			V-2 (BLACK)			V-2 (NATURAL)				
EDP. NO.	ENG. NO.	NO. OF CKTS.	EDP. NO.	ENG. NO.	NO. OF CKTS.	EDP. NO.	ENG. NO.	NO. OF CKTS.	EDP. NO.	ENG. NO.	NO. OF CKTS.		
		24	-	-	24	*	39-01-3245	5557-24R-BL	24	39-01-2240	5557-24R	24	
		22	-	-	22		39-01-3225	5557-22R-BL	22	39-01-2220	5557-22R	22	
		20	-	-	20	*	39-01-3205	5557-20R-BL	20	39-01-2200	5557-20R	20	
		18	-	-	18	*	39-01-3185	5557-18R-BL	18	39-01-2180	5557-18R	18	
		16	-	-	16	*	39-01-3165	5557-16R-BL	16	39-01-2160	5557-16R	16	
		14	-	-	14		39-01-3145	5557-14R-BL	14	39-01-2140	5557-14R	14	
		12	-	-	12		39-01-3125	5557-12R-BL	12	39-01-2120	5557-12R	12	
		10	-	-	10		39-01-3105	5557-10R-BL	10	39-01-2100	5557-10R	10	
		8	-	-	8		39-01-3085	5557-08R-BL	8	39-01-2080	5557-08R	8	
*	39-02-8061	5557-06R-YE	6	-	6		39-01-3065	5557-06R-BL	6	39-01-2060	5557-06R	6	
*	39-02-8041	5557-04R-YE	4	*	39-02-8040	5557-04R-RE	4	39-01-3045	5557-04R-BL	4	39-01-2040	5557-04R	4
*	39-02-8021	5557-02R-YE	2	-	2		39-01-3025	5557-02R-BL	2	39-01-2020	5557-02R	2	

MODIFIED CHARTS
EC NO: UCP2010-2566
DRAWN: JAGUILAR 2010/04/05
CHKD: J.BELL '97/01/08
APPR: F.S.MITH 2010/04/14

QUALITY SYMBOLS
▽=0
▽=0

J4

GENERAL TOLERANCES (UNLESS SPECIFIED)

		mm	INCH
4 PLACES	± 0.2	± .008	± .0008
3 PLACES	± 0.3	± .012	± .0012
2 PLACES	± 0.4	± .016	± .0016
1 PLACE	± .5	± .020	± .0020

ANGULAR ± 3°

DRAFT WHERE APPLICABLE MUST REMAIN WITHIN DIMENSIONS

DIMENSION STYLE
MM ONLY

DRAWN BY DATE
S. MOCHIZUKI '90/02/22

CHECKED BY DATE
M. FUKUSHIMA '97/01/08

APPROVED BY DATE
M. FUKUSHIMA '97/01/08

MATERIAL NO.
SEE CHART

SCALE 1:1

DESIGN UNITS METRIC

THIRD ANGLE PROJECTION

NEW MINI FIT CONN REC. HOUSING

MOLEX MOLEX INCORPORATED

DOCUMENT NO. SD-5557-003

SHEET NO. 2 OF 2

THIS DRAWING CONTAINS INFORMATION THAT IS PROPRIETARY TO MOLEX INCORPORATED AND SHOULD NOT BE USED WITHOUT WRITTEN PERMISSION