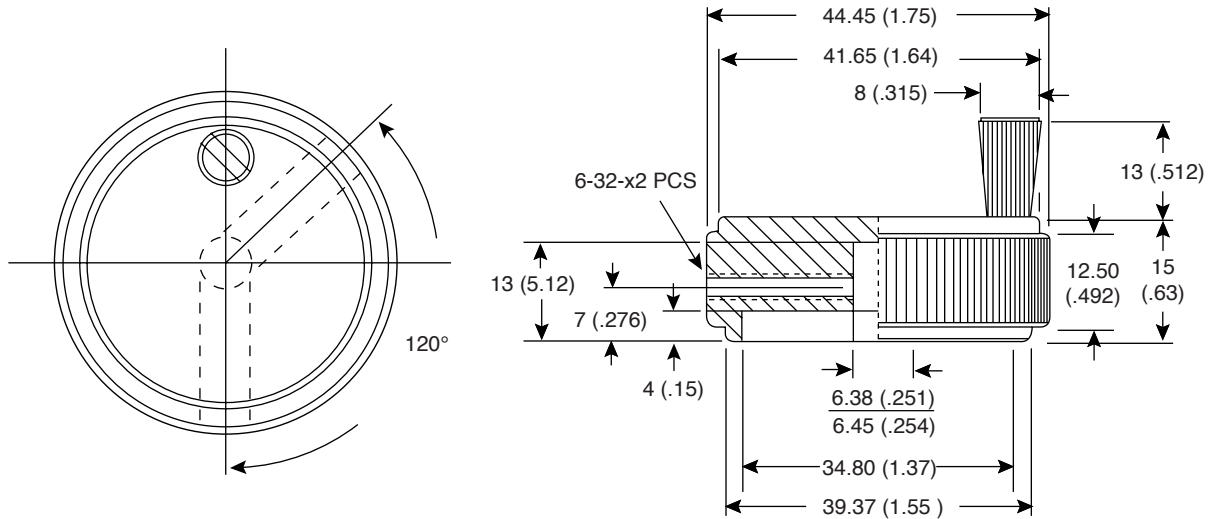


Date Last Revised: 6/30/06



Dimensions: mm (In.)

SPECIFICATIONS	
<b>Material:</b>	Solid Aluminum
<b>Finish:</b>	Spin
<b>Tolerance:</b>	ø.50-4; ø4.10-16 ± .20mm; ø16.10-64 ± .30mm
<b>Color:</b>	Black