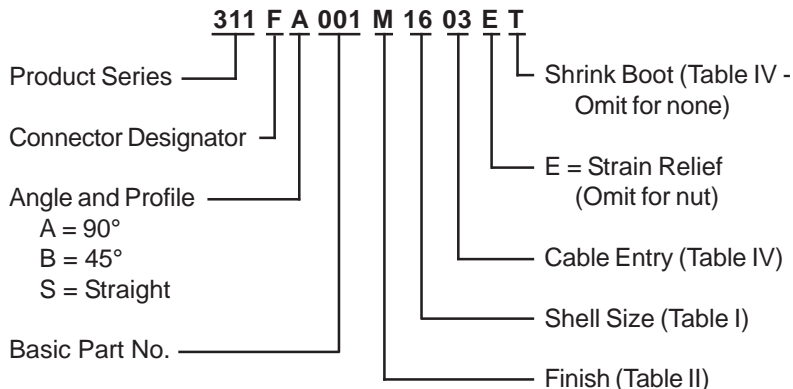


**CONNECTOR  
 DESIGNATORS**

**A-F-H**

**J-L-S**

**ROTATABLE  
 COUPLING**



**STYLE 2  
 (STRAIGHT  
 See Note 5)**



**STYLE E  
 STRAIN RELIEF**



**STYLE 2  
 (45° & 90°  
 See Note 5)**



