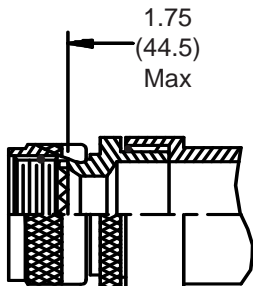
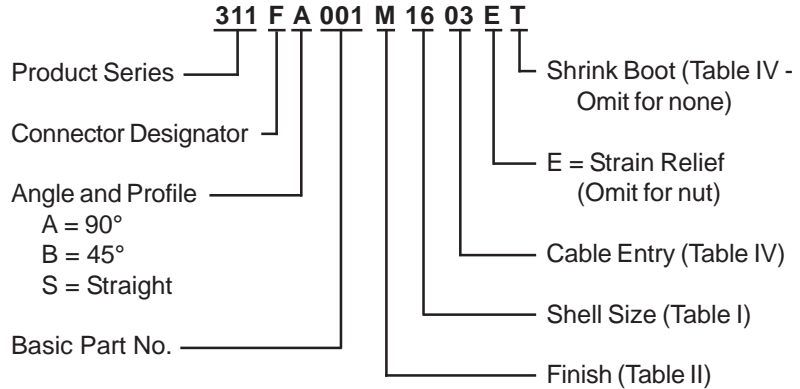


**CONNECTOR
 DESIGNATORS**

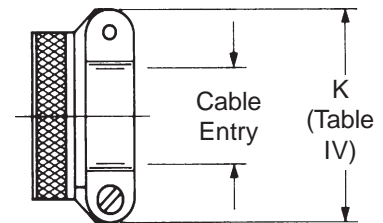
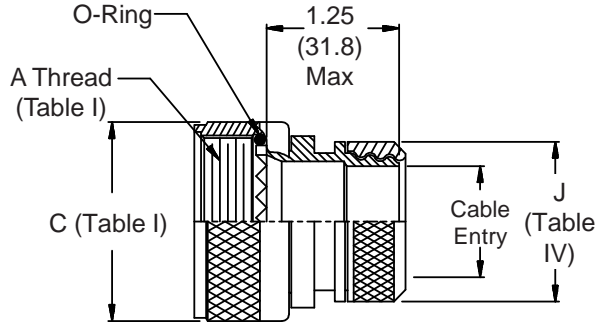
A-F-H

J-L-S

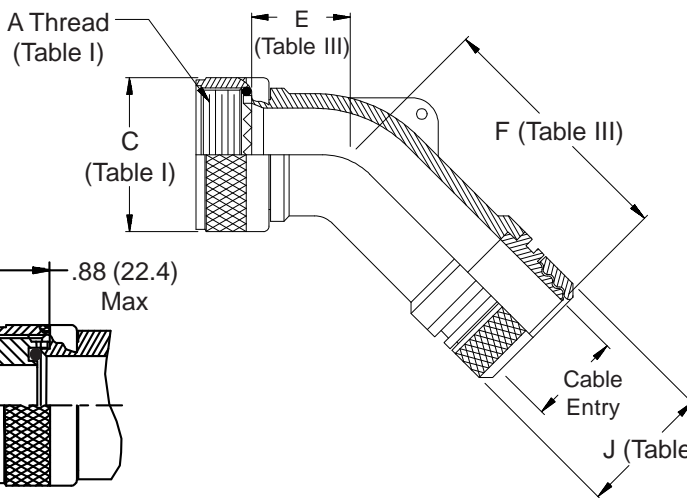
**ROTATABLE
 COUPLING**



**STYLE 2
 (STRAIGHT
 See Note 5)**



**STYLE E
 STRAIN RELIEF**



**STYLE 2
 (45° & 90°
 See Note 5)**



311-001
Lamp-Base Thread EMI/RFI Shrink Boot Adapter
 with Strain Relief and Optional Shrink Boot
 Rotatable Coupling - Low Profile



See inside back cover fold-out
 or pages 13 and 14
 for unabridged Tables I and II.

TABLE III: DIMENSIONS

| SHELL SIZE | | E | F | G | H |
|------------|----|--------------|--------------|--------------|--------------|
| A-F-J-L-S | H | Max | Max | Max | Max |
| 08 | 09 | .457 (11.6) | 1.630 (41.4) | .500 (12.7) | 1.640 (41.7) |
| 10 | 11 | .520 (13.2) | 1.690 (42.9) | .595 (15.1) | 1.760 (44.7) |
| 12 | 13 | .582 (14.8) | 1.750 (44.5) | .610 (15.5) | 1.780 (45.2) |
| 14 | 15 | .645 (16.4) | 1.840 (46.7) | .700 (17.8) | 1.850 (47.0) |
| 16 | 17 | .738 (18.7) | 1.950 (49.5) | .885 (22.5) | 1.940 (49.3) |
| 18 | 19 | .926 (23.5) | 2.140 (54.4) | .975 (24.8) | 2.110 (53.6) |
| 20 | 21 | .926 (23.5) | 2.140 (54.4) | .975 (24.8) | 2.110 (53.6) |
| 22 | 23 | 1.020 (25.9) | 2.290 (58.2) | 1.125 (28.6) | 2.220 (56.4) |
| 24 | 25 | 1.020 (25.9) | 2.290 (58.2) | 1.125 (28.6) | 2.220 (56.4) |
| 28 | | 1.145 (29.1) | 2.340 (59.4) | 1.225 (31.1) | 2.390 (60.7) |
| 32 | | 1.207 (30.7) | 2.440 (62.0) | 1.575 (40.0) | 2.640 (67.1) |
| 36 | | 1.238 (31.4) | 2.530 (64.3) | 1.775 (45.1) | 2.640 (67.1) |

TABLE IV: CABLE ENTRY AND SHRINK BOOT

| Dash No. | J Max | K Max | Cable Entry Max | Shrink Boot |
|----------|--------------|--------------|-----------------|-------------|
| 01 | .448 (11.4) | .781 (19.8) | .125 (3.2) | n/a |
| 02 | .515 (13.1) | .968 (24.6) | .250 (6.4) | 770-001S103 |
| 03 | .640 (16.3) | 1.046 (26.6) | .375 (9.5) | 770-001S103 |
| 04 | .765 (19.4) | 1.156 (29.4) | .500 (12.7) | 770-001S104 |
| 05 | .920 (23.4) | 1.219 (31.0) | .625 (15.9) | 770-001S104 |
| 06 | 1.015 (25.8) | 1.343 (34.1) | .750 (19.1) | 770-001S105 |
| 07 | 1.140 (29.0) | 1.469 (37.3) | .875 (22.2) | 770-001S106 |
| 08 | 1.265 (32.1) | 1.594 (40.5) | 1.000 (25.4) | 770-001S106 |
| 09 | 1.432 (36.4) | 1.719 (43.7) | 1.125 (28.6) | 770-001S107 |
| 10 | 1.515 (38.5) | 1.844 (46.8) | 1.250 (31.8) | 770-001S107 |
| 11 | 1.640 (41.7) | n/a | 1.375 (34.9) | 770-001S108 |
| 12 | 1.765 (44.8) | n/a | 1.500 (38.1) | 770-001S108 |
| 13 | 2.015 (51.2) | n/a | 1.750 (44.5) | 770-001S108 |

1. Cable Entry is defined as the accomodation range for the wire bundle or cable. Dimensions shown are not intended for inspection criteria.
2. See Shrink Boot Reference Information (page 40).
3. Metric dimensions (mm) are indicated in parentheses.
4. O-Rings not supplied with Connector Designator A.
5. When maximum entry (page 21) is exceeded, Style 2 will be supplied. Dimensions E, F, G & H will not apply. Please consult factory.

TABLE II - STANDARD FINISHES

| GLENAIR SYMBOL FINISH | |
|-----------------------|---|
| B | Cadmium Plate, Olive Drab |
| M | Electroless Nickel |
| NF | Cadmium Plate, Olive Drab Over Electroless Nickel |

See Inside Back Cover for Complete Finish Information and Additional Finish Options